

Clean lines form to create a slim contemporary design that's perfect for today's modern kitchens. Available in stainless steel. Bright LED lighting enhances your cooking experience, while the 3-speed backlit soft touch control makes operation easy.

SIZE	STAINLESS	GREASE FILTERS (replacement)	NON-DUCTED CHARCOAL FILTERS
29-1/2 in.	BWT2304SS	S99010487 (set of 2)	FILTERBWPTS (set of 2)

HVI PERFORMANCE									
Duct Orientation	Size	Damper	Sones			CFM			
			Normal	Medium*	High	Normal	Medium*	High 0.25 in. w.g.	High 0.1 in. w.g.
Round - Vertical	6 in.	Included	3.0	5.5	8.5	240	350	385	400

FEATURES	
Max Blower Airflow	450 CFM
Finish	430 Stainless Steel no. 4 Brushed
Wall Mount	Yes
Telescopic Flue	Yes - Accomodates 8-ft. to 9-ft. ceilings
Convertible to non-ducted operation	Yes - Non-Duct Kit ARKBWT sold separately
Blower type	Single, Centrifugal
Cord-connected	Yes
Control type	Soft-Touch <ul style="list-style-type: none"> • Blower low speed • Blower medium speed • Blower high speed • Light on-off • 5-Minute delay
Lighting	2 x LED Modules 5.5 W, (included)
Grease Filters	Hybrid baffle filters, dishwasher-safe with quick-release latch

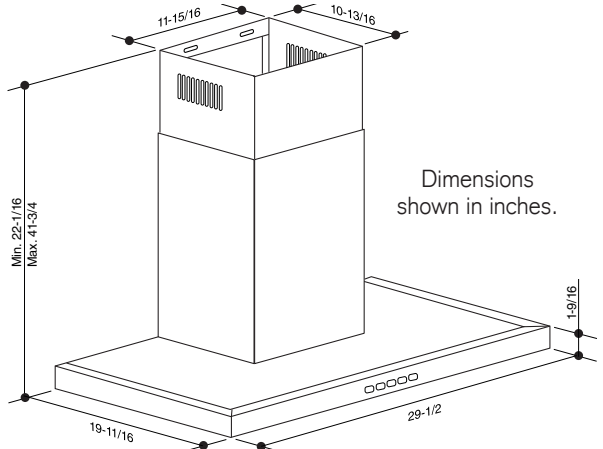
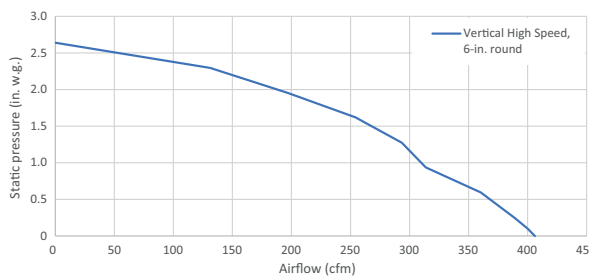
AC INPUT	
120 V, 60 Hz - 2.6 AMPS	

OPTIONAL ACCESSORIES (sold separately)	
Flue Extension for 10-ft. ceiling	FXN53SS
Non-Duct Kit	ARKBWT
Airflow Reducer (< 300 CFM)	ARP6

MOUNTING HEIGHT	
26-in. from cooktop to bottom of hood	

LIMITED WARRANTY	
1-year (See installation manual for full warranty text.)	

FOR INDOOR USE ONLY



HVI-2100 CERTIFIED RATINGS comply with new testing technologies and procedures prescribed by the Home Ventilating Institute, for off-the-shelf products, as they are available to consumers. Product performance is rated at 0.1 and 0.25 in. static pressure at high speed based on tests conducted in an HVI-approved state-of-the-art test laboratory. Sones are a measure of humanly-perceived loudness, based on laboratory measurements.

* Where noted performance rating is not HVI certified but was established in accordance with HVI Standardized test procedure.

99529075D