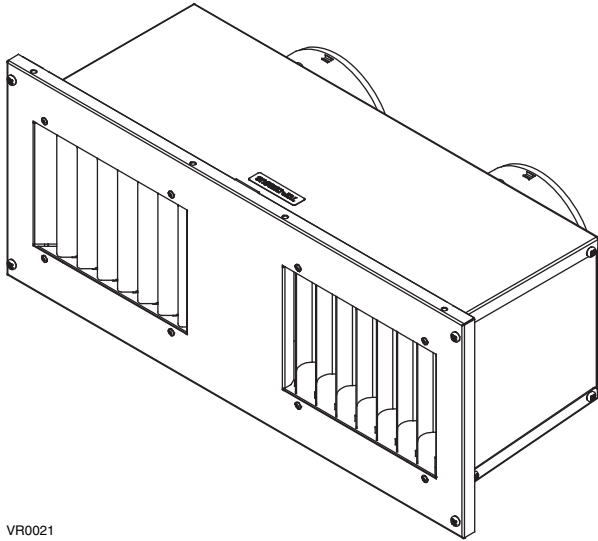


Part no.: V14695



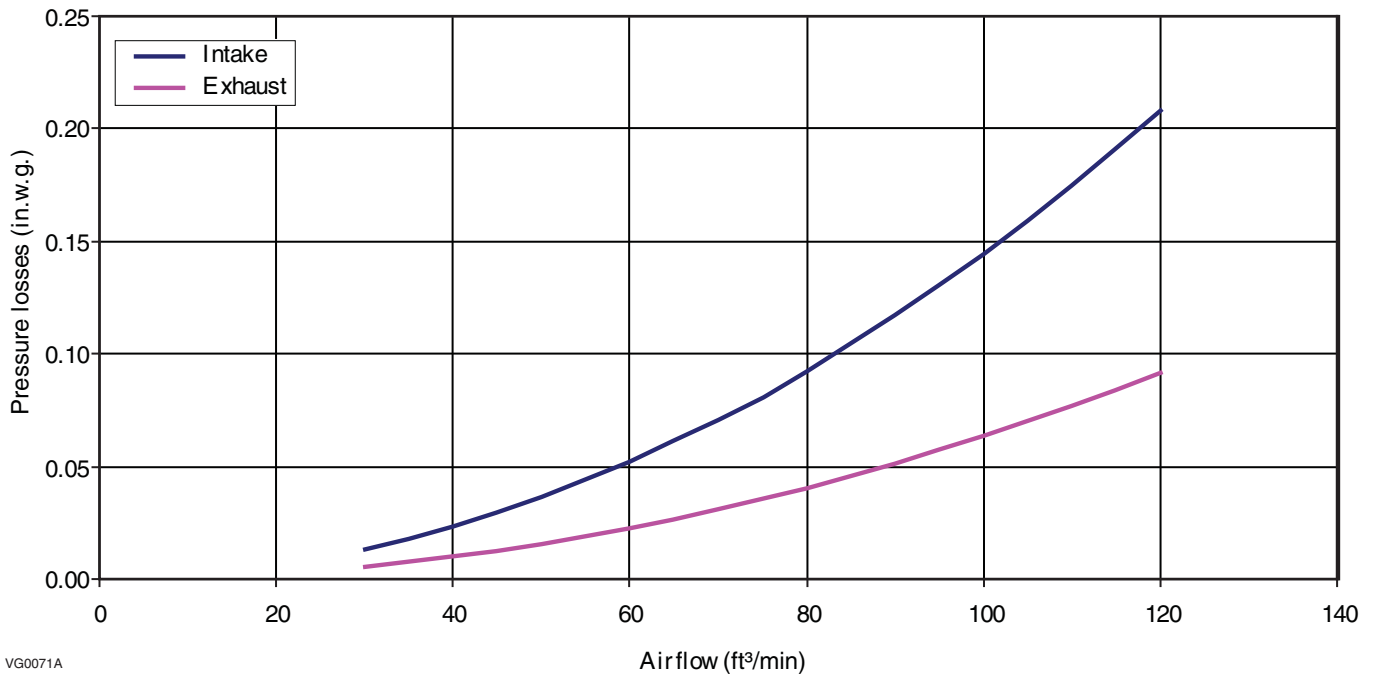
VR0021

ONE OUTDOOR PORT FOR DOUBLE USAGE

More than ever, today's builders and contractors are aiming to optimize material, manpower and time. One way to achieve this goal when installing a ventilation system is to install our new metal tandem hood. This new device simplifies the installation not only because only one hole is required on the exterior wall. In fact, every installer knows that locating efficiently one outdoor port is easier (and faster) than locating two. Moreover, there is hardly any intercontamination!

- Galvanized satin steel cover grille (ready to be painted by the HVAC contractor to match building's color).
- One 7" x 18" hole in the exterior wall.
- Tandem box eliminates the need of a Tandem transition.
- Intake and exhaust ducts connection can be performed either on left or right port, for more convenience.
- Outdoor connection performed in half time.
- Suitable for ventilation unit producing an airflow lower than 120 CFM (for higher airflow capacity, please confirm that the overall pressure losses of the ventilation system is suitable for the unit used). See chart below.

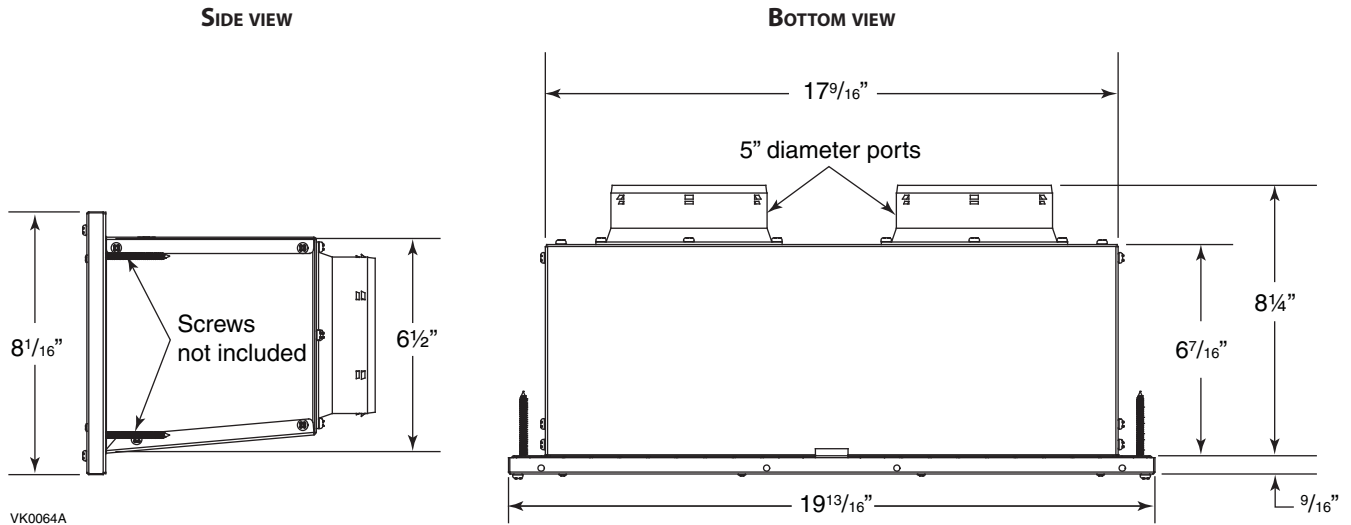
Pressure Drops (Intake and Exhaust)



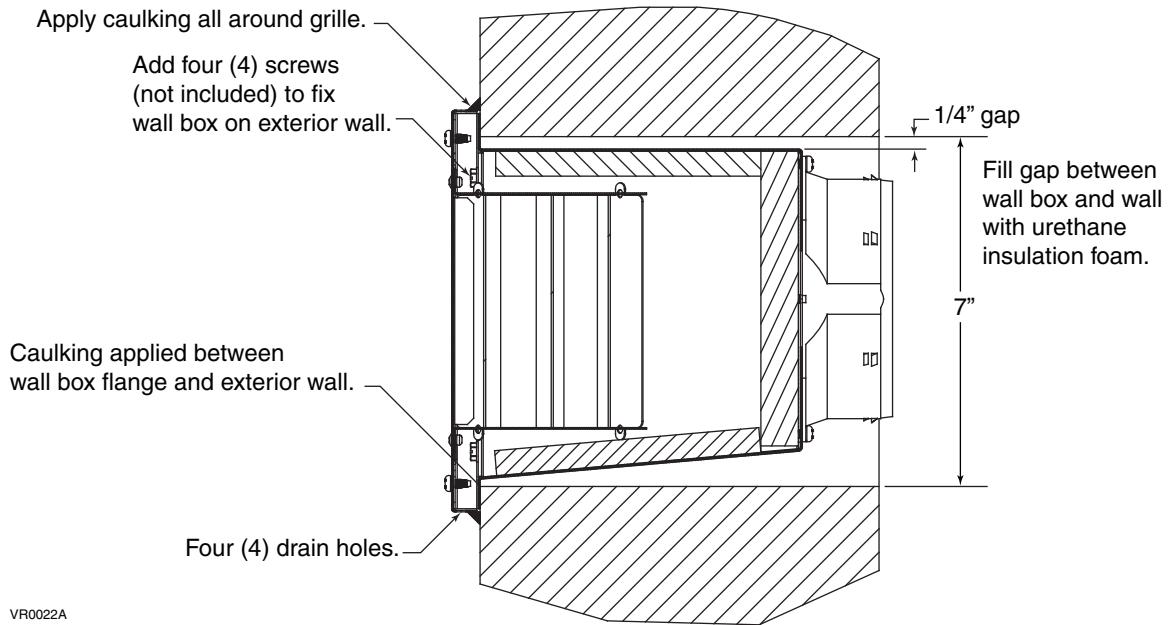
VG0071A

Available at:

Metal Tandem Hood Dimensions



Installation Details



Submitted by:		Date:	Project:
Quantity:	Model No.:	Remarks:	Location:
			Architect:
			Engineer:
			Contractor:

