



BROAN ERV110

Part no. ERV110T (TOP PORTS)

Part no. ERV110S (SIDE PORTS)

45 to 105 CFM (0.4 in. w.g.)



VB0264

AN INGENIOUS AIR EXCHANGE SOLUTION THAT'S AS VERSATILE AS IT IS COMPACT!

Configured with factory built vertical or horizontal ports, the Broan ERV110 is the most versatile 100-cfm unit available on the market today. Among its exclusive features, this unit is equipped with integrated balancing and backdraft dampers in its exhaust to outside and fresh air supply ports.

Its operation can be interlocked with an existing furnace without adding an extra relay. Also, for more convenience, its latches can be relocated on its front (as shown on unit picture). This compact, lightweight and powerful unit is the ideal choice for small single-family homes, high rise residential building and other limited space applications.

- Versatile horizontal or vertical port configuration
- Removable terminal block to ease auxiliary wall control connections
- Integrated pressure taps, if balancing required by building code
- Twin high-pressure blowers
- ENERGY STAR® qualified

REPAIRS AND MAINTENANCE

All parts of the Broan ERV110 that could need maintenance can be removed in less than 5 minutes, allowing direct access for easy repairs. The PSC motors are permanently lubricated. Finally, the removable electrical drawer with pull-out PCB assembly allows easy access for maintenance of major sub-components.

WARRANTY

The Broan ERV110 is protected by a 5-year warranty on parts only. The energy recovery core is covered by a 5-year warranty, with the original proof of purchase.

Available at:

This product earned the ENERGY STAR® by meeting strict energy efficiency guidelines set by Natural Resources Canada and the US EPA. It meets ENERGY STAR requirements only when used in Canada.

ENERGY RECOVERY VENTILATOR

Controls

- This unit is very simple to operate. Once it is installed, press on its push button, located on the bottom of the unit, to activate it. Press once for low speed, once again for high speed, and once more to stop it.
- For more convenience, this unit can also be controlled by an optional main control. For a complete list of optional main and auxiliary controls available, refer to the **Wall Control Compatibility Chart** on last pages of wall controls specification sheet, available at www.broan.com
- For more details about controls, refer to the **Main and auxiliary wall controls** user guide, also available at www.broan.com

Options

- Complete line of registers and diffusers
- Dual exterior hood kit (including the Tandem® transition), part no. TYIK1

Homeshield™ Defrosting System

The Broan ERV110 uses a unique defrosting method. No negative pressure is created by air exhausted to the outside, as the air is recirculated into the house, helping to prevent any backdraft.

OUTSIDE TEMPERATURE		DEFROST CYCLE (IN MINUTES)
°C	°F	DEFROST/OPERATION
WARMER THAN -5	WARMER THAN 23	NO DEFROST
-5 TO -27	23 TO -17	9/28
-27 AND LESS	-17 AND LESS	10/22

Energy Recovery Core

Dimensions: 19 1/8" x 13 7/16" x 6 7/8" (48,6 cm x 34,1 cm x 17,3 cm)

Exchange surface: 56 ft.² (5.2 m²)

Weight: 9.25 lb. (4,2 kg)

Material: Polymerized paper

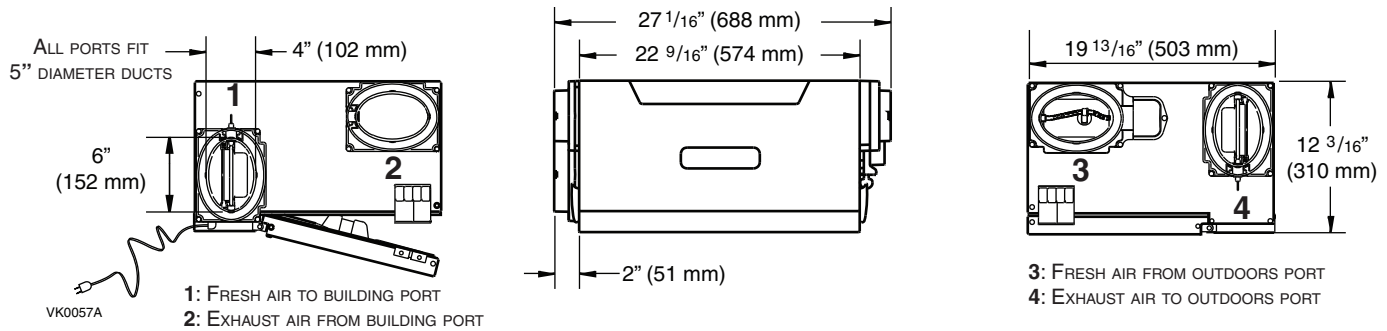
Type: Crossflow and counterflow core

Warranty: 5 years

Requirements and Standards

- Complies with the UL 1812 requirements regulating the installation of Energy Recovery Ventilators
- Complies with the CSA C22.2 no. 113 Standard applicable to ventilators
- Complies with CSA F326 requirements regulating the installation of Energy Recovery Ventilators
- Technical data was obtained from published results of tests relating to CSA C439 Standards
- HVI certified and ENERGY STAR® qualified

DIMENSIONS: BROAN ERV110S (PORTS ON SIDES)



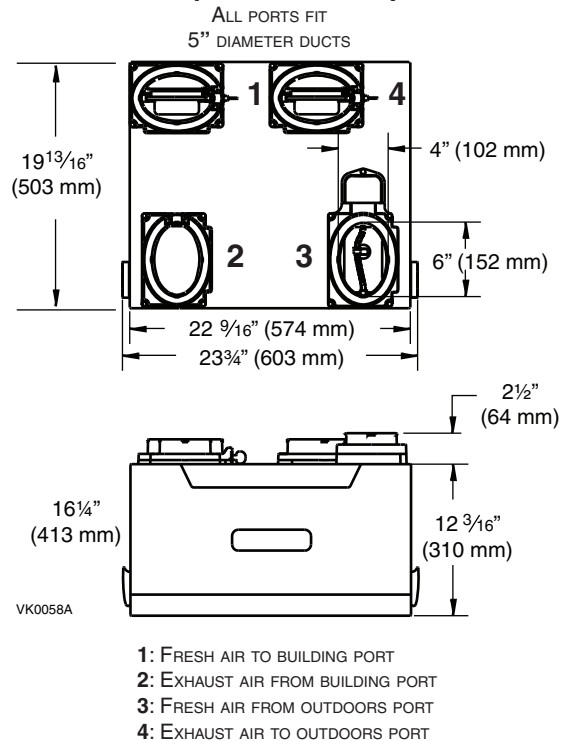
VENTILATION PERFORMANCE

EXTERNAL STATIC PRESSURE		NET SUPPLY AIR FLOW			GROSS AIR FLOW					
					SUPPLY			EXHAUST		
PA	IN. W.G.	L/S	CFM	M ³ /H	L/S	CFM	M ³ /H	L/S	CFM	M ³ /H
25	0.1	54	115	195	55	117	199	55	117	199
50	0.2	53	112	190	54	115	195	54	114	193
75	0.3	51	109	185	53	111	189	52	110	187
100	0.4	49	105	178	50	106	180	50	106	180
125	0.5	48	102	173	49	104	177	49	103	175
150	0.6	45	96	163	47	99	168	47	99	168
175	0.7	44	93	158	45	94	160	45	94	160
200	0.8	42	89	151	43	92	156	42	88	150
225	0.9	40	85	144	41	87	148	41	87	148
250	1.0	38	81	138	39	82	139	38	81	138

ENERGY PERFORMANCE

SUPPLY TEMPERATURE		NET AIR FLOW			POWER CONSUMED WATTS	SENSIBLE RECOVERY EFFICIENCY	ADJUSTED SENSIBLE RECOVERY EFFICIENCY	APPARENT SENSIBLE EFFECTIVENESS*	LATENT RECOVERY/MOISTURE TRANSFER
°C	°F	L/S	CFM	M ³ /H					
HEATING									
0	32	23	49	83	42	67	72	79	0.61
0	32	30	64	109	60	65	70	75	0.55
0	32	40	85	143	72	63	68	71	0.48
-25	-13	23	49	83	58	60	63	75	0.60
-25	-13	30	64	109	71	55	58	71	0.57
COOLING									
35	95	21	44	75	42	TOTAL RECOVERY EFFICIENCY 50		ADJUSTED TOTAL RECOVERY EFFICIENCY 53	

BROAN ERV110T (PORTS ON TOP)



*Data not certified by HVI.

NOTE: All specifications are subject to change without notice.

SPECIFICATIONS

- Model: Broan ERV110
- Part number top ports: ERV110T
- Part number side ports: ERV110S
- Total assembled weight (including polymerized paper core): 45 lb. (20.4 kg)
- Oval shaped ports; fit 5" diameter ducts
- Core filters: 30 ppi washable foam 8.75" x 6.75" x 0.5" (22,2 cm x 17,2 cm x 1,3 cm)
- Housing: Pre-painted steel
- Insulation: Expanded polystyrene
- Mounting: Suspension by chains and springs
- Supply and exhaust blower motor: 2 motors
 - Protection type: Thermally protected
 - Insulation class: B
- Speed control on unit: Low & high speeds. Other modes available with main and optional wall controls.
- Energy recovery core:
 - Heat exchange surface area: 56 ft.² (5.2 m²)
 - Type: Crossflow and counterflow
 - Material: Polymerized paper
- Unit electrical characteristics: 120 volts, 60 Hz, 1 ampere, 120 watts

Project:	REMARKS
Location:	
Part Number:	
Qty.:	
Submitted by:	Date:

BROAN



www.broan.com

Broan-NuTone LLC, 926 West State Street, Hartford, WI 53027 (1-877-862-7626)

ERV110d19_12