

THERMOSTAT KIT

For use with Broan Model 114 or NuTone Model 9114NT Kickspace Heater

READ AND SAVE THESE INSTRUCTIONS

WARNING

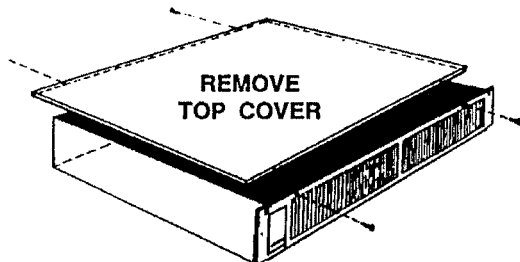
All wiring and electrical work must be in compliance with the National Electrical Code and any local codes, where applicable.

Always disconnect all electrical power at fuse box or service panel before wiring to prevent possible injury from electrical shock.

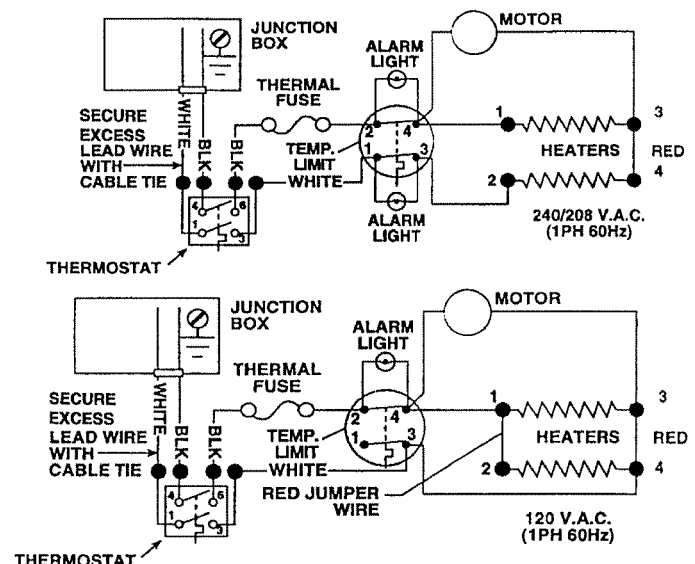
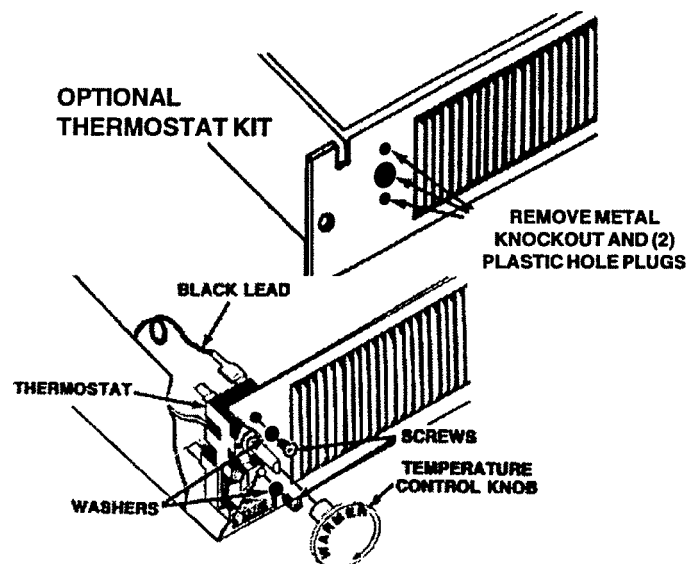
THERMOSTAT INSTALLATION

NOTE: The thermostat control circuit must be wired prior to the wiring of the heater unit.

1. Turn off power at service entrance before wiring thermostat.



2. Remove the top cover from the heater.
3. Remove the 5/8" knockout located on the left side of the front panel (use a screwdriver to remove the knockout). Also remove the two plastic hole plugs (see illustration).
4. Install thermostat from back side of front panel and fasten in place, from front, with two screws and washers provided (see illustrations).
5. Attach temperature control knob by gently pushing it on to the thermostat shaft. Flats on shaft and knob must line up for proper installation (do not force control knob onto shaft).
6. Remove **black** wire from thermal fuse and attach it to thermostat terminal marked "4".
7. Remove **white** wire from temperature limit terminal marked "1" (Note: the other end of this wire is attached to incoming field wiring) and attach it to the thermostat terminal marked "1".
8. Attach **black** thermostat wire to thermal fuse and **white** thermostat wire to the temperature limited marked "3".
9. Refer to the installation instructions provided with the heater to complete the installation.



BROAN-NUTONE ONE YEAR LIMITED WARRANTY

Broan-NuTone warrants to the original consumer purchaser of its products that such products will be free from defects in materials or workmanship for a period of one year from the date of original purchase. THERE ARE NO OTHER WARRANTIES, EXPRESS OR IMPLIED, INCLUDING, BUT NOT LIMITED TO, IMPLIED WARRANTIES OF MERCHANTABILITY OR FITNESS FOR A PARTICULAR PURPOSE.

During this one-year period, Broan-NuTone will, at its option, repair or replace, without charge, any product or part which is found to be defective under normal use and service.

THIS WARRANTY DOES NOT EXTEND TO FLUORESCENT LAMP STARTERS AND TUBES. This warranty does not cover (a) normal maintenance and service or (b) any products or parts which have been subject to misuse, negligence, accident, improper maintenance or repair (other than by Broan-NuTone), faulty installation or installation contrary to recommended installation instructions.

The duration of an implied warranty is limited to the one-year period as specified for the express warranty. Some states do not allow limitation on how long an implied warranty lasts, so the above limitation may not apply to you.

BROAN-NUTONE'S OBLIGATION TO REPAIR OR REPLACE, AT BROAN-NUTONE'S OPTION, SHALL BE THE PURCHASER'S SOLE AND EXCLUSIVE REMEDY UNDER THIS WARRANTY. BROAN-NUTONE SHALL NOT BE LIABLE FOR INCIDENTAL, CONSEQUENTIAL OR SPECIAL DAMAGES ARISING OUT OF OR IN CONNECTION WITH PRODUCT USE OR PERFORMANCE. Some states do not allow the exclusion or limitation of incidental or consequential damages, so the above limitation may not apply to you.

This warranty gives you specific legal rights, and you may also have other rights, which vary from state to state. This warranty supersedes all prior warranties.

To qualify for warranty service, you must (a) notify Broan-NuTone at the address or telephone number below, (b) give the model number and part identification and (c) describe the nature of any defect in the product or part. At the time of requesting warranty service, you must present evidence of the original purchase date.

Broan-NuTone LLC Hartford, Wisconsin www.broan.com 800-558-1711
NuTone Cincinnati, Ohio www.nutone.com 888-336-394

