



FLEXIBILITY for new construction and room-side retrofit from one fan.

More features from one fan.



FoldAway™ Mounting Ears are precisely positioned for new construction and fold flat for room-side retrofits. Every installation can be handled more efficiently.



With our TrueSeal™ Damper Technology, InVent fans reduce air leakage by up to 50% compared to competitive models,¹ resulting in better home performance via blower door tests.



EzDuct™ Connector enables room-side installation without attic access. Attach the housing, pull the duct through, attach the EzDuct™ Connector and reset it with one screw.



LED Lighting offers greater energy efficiency and longevity, and adds a unique design detail to this hard-working fan. 11-watt, 800 Lumens integrated LED module lasts up to 25,000 hours.

¹Testing reflects total fan housing air tightness. See NuTone.ca for details.

InVent™ SERIES

A patent-pending revolution of mid-range fans.

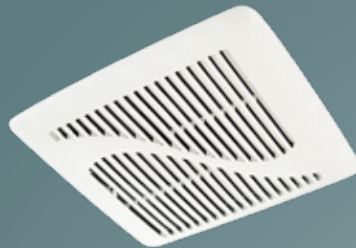
**Versatile Installation.
Airtight Performance.
LED Lighting.**

InVent Series gives professionals smart options for new construction or room-side retrofits in one, hard-working product line. InVent is about innovations such as FoldAway™ mounting ears and TrueSeal™ Damper Technology that improves building airtightness like never before. With fresh grille designs and a full range of operating points, there's an InVent Series solution for every installation.

InVent™ Fan & Fan/Lights



Fan Models: ARN80C, ARN110C, ARN90C, AERN50C, AERN80BC



Fan Models: AERN70C, AERN90C, AERN110C



LED Fan/Light with 11-watt, 800 Lumens, 3000K, 80 CRI integrated module. Models: AERN90LC, AERN110LC



Incandescent Fan/Light with A19 Base (bulb not included). Model: ARN70LC

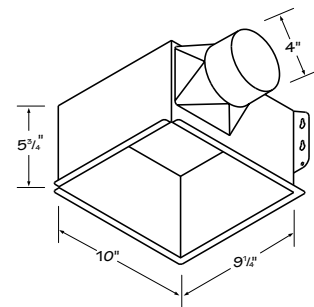
INVENT FAN MODELS

New Specifications				Replacing Specifications		
New Model	CFM	Sones	ENERGY STAR®	Replacing Model	CFM	Sones
AERN50C	50	0.5	Yes	50NT	50	1.5
AERN80BC	80	1.5	Yes	80NT/80NTE	80	2.0
AERN70C	70	0.8	Yes	QTREN070C	70	0.8
AERN90C	90	1.0	Yes	QTREN090C	90	1.0
AERN110C	110	1.0	Yes	QTREN110C	110	1.3
ARN90C	90	2.0	No	671SP	90	2.5
ARN80C	80	2.0	No	NT080C	80	2.5
ARN110C	110	3.0	No	672SP	110	4.0

INVENT FAN/LIGHT MODELS

New Specifications					Replacing Specifications			
New Model	CFM	Sones	Lighting	ENERGY STAR®	Replacing Model	CFM	Sones	Lighting
AERN90LC	90	1.0	LED	Yes	QTREN090FLC	90	1.0	Fluorescent
AERN110LC	110	1.0	LED	Yes	QTREN110FLC	110	1.3	Fluorescent
ARN70LC	70	2.0	Incandescent A19 Base *	No	769RL	70	3.0	Incandescent

* Bulb Not Included



NuTone®

NuTone.ca 1140 Tristar Drive Mississauga, Ontario L5T 1H9
Customer Service 1-877-896-1119

Proud to be ENERGY STAR® partners.
87721 09/15