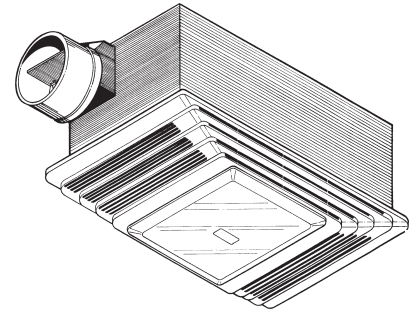


MODEL 765H80LB HEATER / FAN / LIGHT



Quiet combination unit, built with high performance blower and attractive styling.

FEATURES

GRILLE:

- Bright white grille
- Snap-in light diffusing lens for 14W (max.) LED bulb (bulb not included)

VENTILATOR:

- Resilient anti-vibration mounts
- Plug-in, permanently lubricated motor
- Low sound, high performance blower wheel

HEATER:

- 1300 watts, with metal blower wheel for efficient, even heating
- Plug-in, permanently lubricated motor - functions independent of ventilator

HOUSING:

- Adjustable mounting brackets span up to 24"
- Polymeric damper/duct connector with 2" long tapered sleeve and no metallic clatter
- Compact, 23 gage corrosion-resistant steel housing finished with powder coat paint

NOTE: For installation in ceilings up to 12/12 pitch

- Suitable for use in insulated ceilings (Type I.C.).
- Use supply wiring rated for at least 90°C.

TYPICAL SPECIFICATION

Combination unit shall be Broan Model 765H80LB.

Unit shall have galvanized steel housing and adjustable mounting brackets.

Unit shall be rated to handle an E26 base LED bulb, 14W (max.).

Fan, heater and light shall be separately controllable. Motors shall be permanently lubricated.

Air delivery shall be no less than 80 CFM and sound level no greater than 2.0 Sones. All air and sound ratings shall be certified by HVI.

Units shall be U.L. Listed.

Suitable for use in insulated ceilings. (Type I. C.)



Broan Hartford, Wisconsin www.broan-nutone.com 800-558-1711

REFERENCE	QTY.	REMARKS	Project
			Location
			Architect
			Engineer
			Contractor
			Submitted by Date

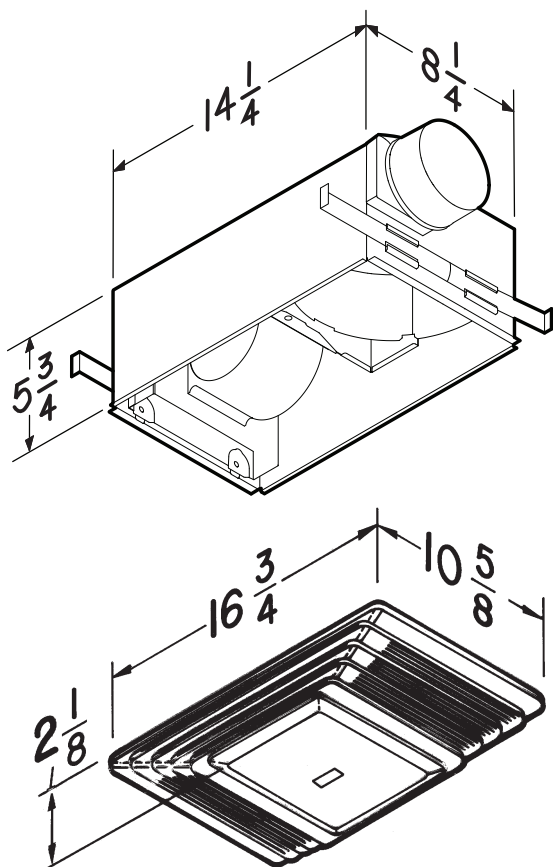
PERFORMANCE RATINGS

MODEL	VOLTS	AMPS	WATTS*	STATIC PRESSURE (PS)	CFM	SONES	DUCT
765H80LB	120	11	1300	0.10	80	2.0	4-IN. ROUND
				0.25	68		4-IN. ROUND

*Total connected load



HVI-2100 CERTIFIED RATINGS comply with new testing technologies and procedures prescribed by the Home Ventilating Institute, for off-the-shelf products, as they are available to consumers. Product performance is rated at 0.1 in. static pressure, based on tests conducted in a state-of-the-art test laboratory. Sones are a measure of humanly-perceived loudness, based on laboratory measurements.



MODEL 765H80LB

