



Broan Elite 27000/28000 Series

This space-saving design lets you make the most of precious, under-counter cabinet space. Featuring sleek, trim styling that suits any cooktop style or colour, these models beautifully complement the charm of any existing kitchen without sacrificing ventilation performance.

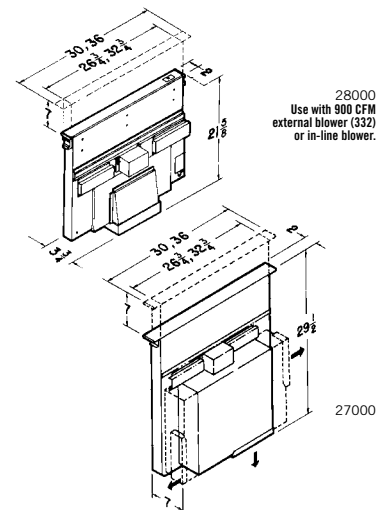
- Innovative downdraft system compatible with virtually all self-contained cooktops.
- Automatically raises into position with the touch of a button.
- Disappears flush with cooktop surface.
- Variable-speed control is flush with the side of the unit; inconspicuous, yet easy to reach and simple to use.
- Model 27000 blower discharges right, left or down and slides side-to-side to ease installation.
- These units are not for installations behind ovens.
- Stainless steel cover. White or black optional.

SPECIFICATIONS

WIDTH*	STAINLESS STEEL	BLOWER	VOLTS	AMPS	CFM	DUCT
30"	273003	Internal	120	4.0	500	3 1/4" x 10"
36"	273603	Internal	120	4.0	500	3 1/4" x 10"
30"	283003	External	120	6.0 max.	**	3 1/4" x 10"†
36"	283603	External	120	6.0 max.	**	3 1/4" x 10"†

OPTIONS

273001C	White Cover, 30"		273023C	Black Cover, 30"
273601C	White Cover, 36"		273623C	Black Cover, 36"
97009786	Replacement Filters, 30"		97009787	Replacement Filters, 36"
ARP310***	Air flow reducer (limits the airflow of the hood under 300 CFM)			



* Cooktops, countertops and cabinets vary in dimension and support systems depending upon manufacturer. These factors may impact this product's ability to fit with every worktop/cabinet combination.

** External blower #332 or in-line blower sold separately.

*** 27000 Series only.

† The 28000 series requires transitioning from 3-1/4" x 10" to 10" round for connection to the external blower. Adapter sold separately.



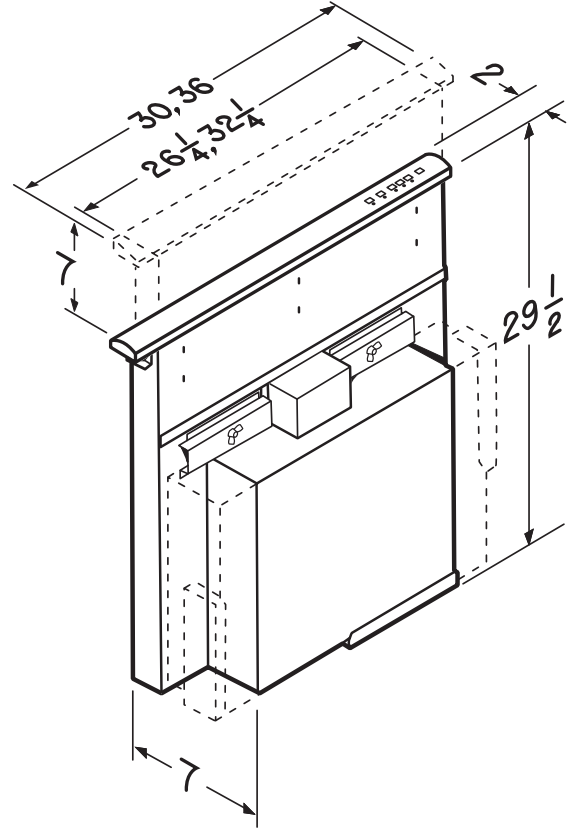
874328 09/09

SPECIFICATIONS

MODEL	27000 SERIES
VOLTS	120 VAC
HZ	60
AMPS	4.0
CFM	500*
BLOWER	INTERNAL
DUCTING SIZE	3¼" x 10"
WARRANTY	1 YEAR

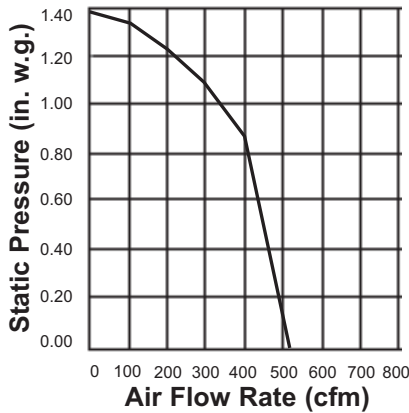
*OPTIONAL ARP310 AIR FLOW REDUCER
(LIMITS THE AIRFLOW OF THE HOOD UNDER 300 CFM).

DIMENSIONS



NOTE: DIMENSIONS SHOWN ARE IN INCHES.

AIR FLOW PERFORMANCE



HVI-2100 CERTIFIED RATINGS comply with new testing technologies and procedures prescribed by the Home Ventilating Institute, for off-the-shelf products, as they are available to consumers. Product performance is rated at 0.1 in. (2.54 mm) static pressure, based on tests conducted in a state-of-the-art test laboratory. Sones are a measure of humanly-perceived loudness, based on laboratory measurements.



BROAN-NU-TONE CANADA INC., MISSISSAUGA, ONTARIO WWW.BROAN.CA 1-888-882-7626

PROJECT	REMARKS
LOCATION	
MODEL No.	
QTY.	
SUBMITTED BY	
DATE	