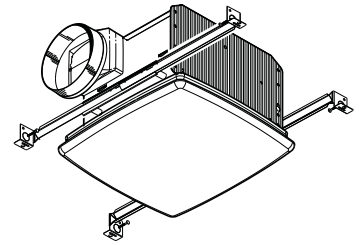


### MODELS QTXE080C, QTXE090C & QTXE110C QTXE SERIES ULTRA SILENT™ VENTILATION FAN



Ultra-quiet, high performance bath fan with a modern-styled grille.

**FEATURES**

**BLOWER :**

- Plug-in, permanently lubricated motor — engineered for continuous operation
- Dynamically balanced centrifugal blower wheel for quiet, efficient performance
- Maintains a high percentage of rated CFM in less than ideal installations
- Low RPM for quiet operation
- Resilient anti-vibration motor mounts

**HOUSING:**

- Rugged, 26 gauge, galvanized steel construction
- 6" round ducting for superior performance
- New 6" duct connector ass'y with damper foam to avoid clatter
- 7<sup>5/8</sup>" height allows for 2" x 8" (nominal) joist installations
- Sturdy, easy, four-point mounting directly to joist
- Includes unique spacers (patented) for mounting to engineered "I" joists
- Can be mounted in ceilings up to 12/12 pitch
- Hanger bars assembly included

**GRILLE :**

- Polymeric construction
- Innovative design—the result of extensive research with designers and consumers

3-Year Warranty

**TYPICAL SPECIFICATION**

Ceiling Ventilator shall be Broan Model QTXE080C (QTXE090C) (QTXE110C).

Ceiling Ventilator shall have corrosion resistant galvanized steel housing with four-point mounting capability. It shall be ducted to a roof or wall cap using 6" round ductwork.

Blower assembly shall be removable, have a centrifugal-type blower wheel and a permanently lubricated motor designed for continuous operation and mounted with resilient anti-vibration mounts.

Non-metallic damper/duct connector shall be included.

Air delivery shall be no less than 80 CFM (37.8 L/s), 90 CFM (42.5 L/s), 110 CFM (51.9 L/s), and sound level no greater than 0.3 (0.6) (0.7) sone.

All air and sound ratings shall be certified by HVI.

Ceiling ventilator shall be ENERGY STAR® qualified and have an energy efficient permanent split capacitor motor.

Ceiling Ventilator shall be UL and cUL Listed for use over bathtubs and showers when connected to a GFCI protected branch circuit.



HVI-2100 CERTIFIED RATINGS comply with new testing technologies and procedures prescribed by the Home Ventilating Institute, for off-the-shelf products, as they are available to consumers. Product performance is rated at 0.1 in. (2.54 mm) static pressure, based on tests conducted in a state-of-the-art test laboratory. Sones are a measure of humanly-perceived loudness, based on laboratory measurements.



Broan-NuTone Canada; Mississauga, Ontario www.broan.ca 877-896-1119

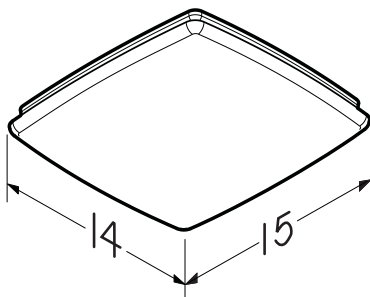
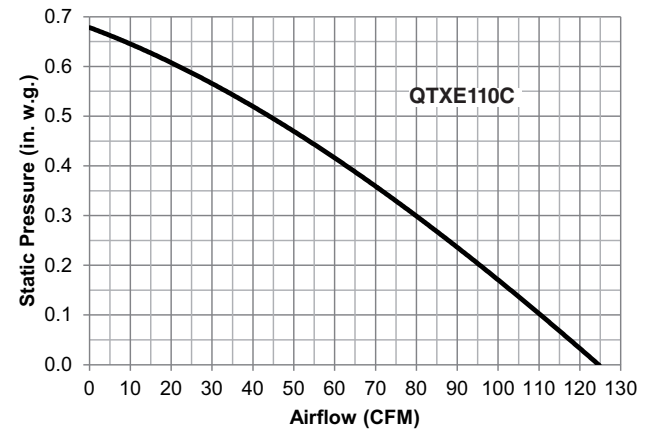
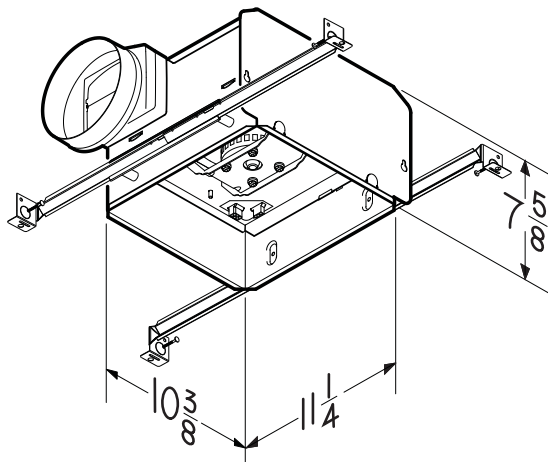
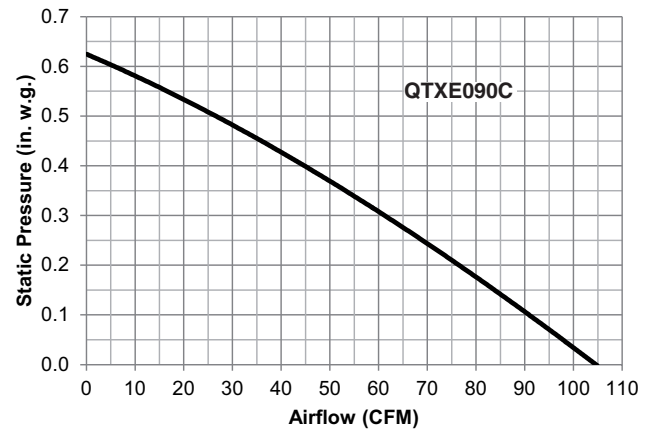
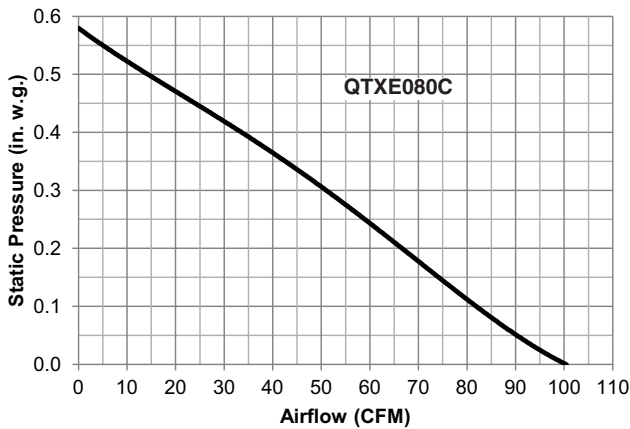
REFERENCE	QTY.	REMARKS	Project
			Location
			Architect
			Engineer
			Contractor
			Submitted by <span style="float:right">Date</span>

# PERFORMANCE RATINGS

## QTXE SERIES – ULTRA SILENT™ VENTILATION FANS

### HVI PERFORMANCE

Model	Sones @ 0.1" (2.5 mm) SP	CFM (L/s) @ 0.1" (2.5 mm) SP	CFM (L/s) @ 0.25" (6.4 mm) SP
QTXE080C	0.3	80 (37.8 L/s)	56 (26.4 L/s)
QTXE090C	0.6	90 (42.5 L/s)	67 (31.6 L/s)
QTXE110C	0.7	110 (51.9 L/s)	86 (40.6 L/s)



NOTE: Dimensions shown are in inches.

### WEIGHT

Model	Shipping Weight
QTXE080C	13.2 lb. (6 kg)
QTXE090C	13.2 lb. (6 kg)
QTXE110C	12.8 lb. (5.8 kg)

### AMPS & WATTS

Model	Amps	Watts
QTXE080C	0.2	23.3
QTXE090C	0.3	25.7
QTXE110C	0.3	31.4

