

## DESCRIPTION

### BLOWER:

- Plug-in, permanently lubricated motor - engineered for continuous operation
- Dynamically balanced centrifugal blower wheel for quiet, efficient performance
- Low RPM for quiet operation
- Airflow-smoothing baffles reduce turbulence

### HOUSING:

- Rugged, 26-gauge galvanized steel construction
- 6" round duct connector with tapered sleeve and no metallic clatter
- 7-5/8" height allows for 2" x 8" (nominal) joist installations
- Sturdy, easy, four-point mounting directly to joist
- Includes unique spacer (patented) for mounting to engineered "I" joists
- Includes hanger bars to position housing anywhere between 16" to 24"-on-center joists
- Can be mounted in ceilings up to 12/12 pitch

### GRILLE:

- Polymeric construction
- Innovative design - the result of extensive research with designers and consumers

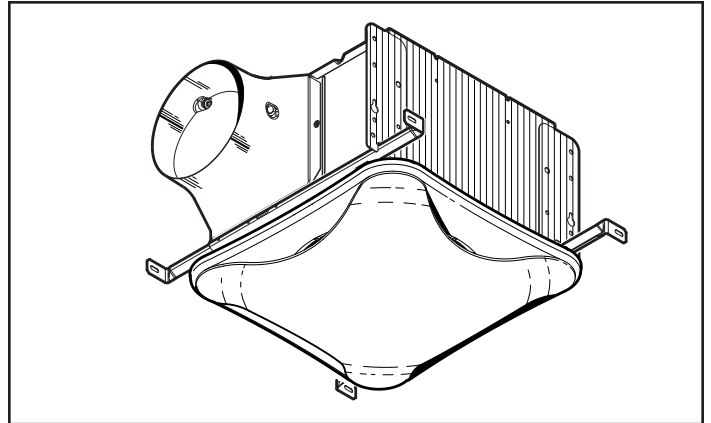
### CONTROLS (Purchase separately):

- Refer to NuTone's catalog for a complete line of accessories to effectively adapt this fan to your construction requirements.

cULus listed for use over bathtubs and showers when connected to a GFCI protected branch circuit (ceiling mount only).

3-Year Warranty

# Model QTXEN150C Fan



## ARCHITECT'S SPECIFICATION

- Fan shall be NuTone Model QTXEN150C.
- Fan shall have corrosion resistant galvanized steel housing with four-point mounting capability. It shall be ducted to a roof or wall cap using 6" round ductwork.
- Blower assembly shall be removable, have a centrifugal-type blower wheel, a permanently lubricated motor designed for continuous operation.
- 6" round damper/duct connector shall be included.
- Air delivery shall be no less than 150 CFM and sound level no greater than 1.4 sones. All air and sound ratings shall be certified by HVI.
- Fan shall be Energy Star® qualified and have an energy efficient permanent split capacitor motor.
- Fan shall be cULus listed for use over bathtubs and showers when connected to a GFCI protected branch circuit.



Broan-NuTone Canada ULC, Mississauga, Ontario www.nutone.ca 1-888-882-7626

REFERENCE	QTY.	REMARKS	Project
			Location
			Architect
			Engineer
			Contractor
			Submitted by
			Date

# PERFORMANCE RATINGS

## MODEL QTXEN150C FAN

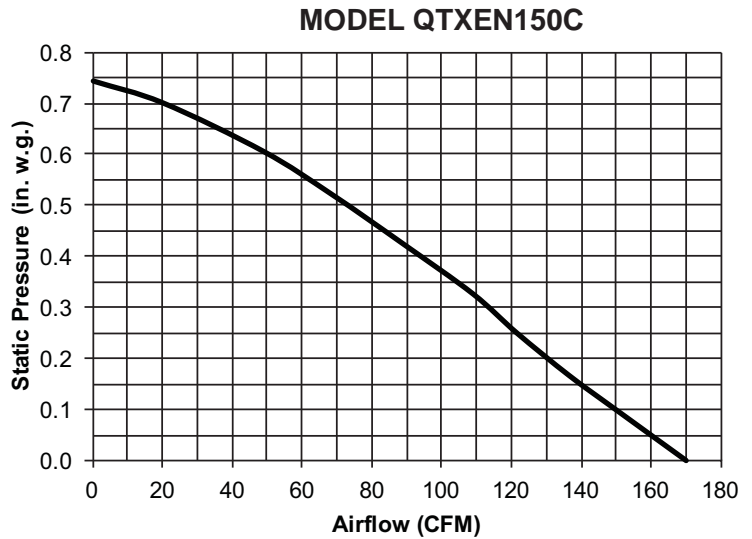
### HVI PERFORMANCE

Model	Static Pressure (Ps)	CFM	Sones	Fan Watts
QTXEN150C	0.10	150	1.4	42.8
	0.25	120		



HVI-2100 CERTIFIED RATINGS comply with new testing technologies and procedures prescribed by the Home Ventilating Institute, for off-the-shelf products, as they are available to consumers. Product performance is rated at 0.1 in. static pressure, based on tests conducted in a state-of-the-art test laboratory. Sones are a measure of humanly-perceived loudness, based on laboratory measurements.

### AIR FLOW PERFORMANCE

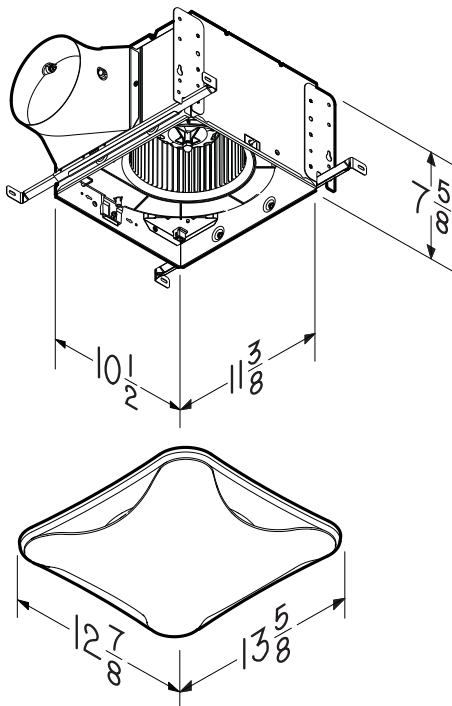


### AMPS

Model	Amps
QTXEN150C	0.5

### WEIGHT

Model	Shipping Weight
QTXEN150C	13.1 lb.



NOTE: Dimensions shown are in inches.

# NuTone®

Broan-NuTone Canada ULC; Mississauga, Ontario [www.nutone.ca](http://www.nutone.ca) 888-882-7626