

MODEL	WIDTH	BLOWER
RMDD3004	30"	500 cfm Internal
RMDD3604	36"	500 cfm Internal
RMDD4804	48"	500 cfm Internal
RMDD3004EX	30"	Models 331H, 332H, 335, 336 HLB3, HLB6, HLB9, and HLB11 External (purchase separately)
RMDD3604EX	36"	Models 331H, 332H, 335, 336 HLB3, HLB6, HLB9, and HLB11 External (purchase separately)
RMDD4804EX	48"	Models 331H, 332H, 335, 336 HLB3, HLB6, HLB9, and HLB11 External (purchase separately)



WARNING - To reduce the risk of burns or ignition of clothing by reaching across burners, the downdraft remote control **MUST** be mounted in the countertop - at least 4" from the burners. See "INSTALL COOKTOP" section on page 8.

READ AND SAVE THESE INSTRUCTIONS

WARNING



TO REDUCE THE RISK OF FIRE, ELECTRIC SHOCK, OR INJURY TO PERSONS, OBSERVE THE FOLLOWING:

- Use this unit only in the manner intended by the manufacturer. If you have questions, contact the manufacturer at the address or telephone number in the warranty.
- Before servicing or cleaning unit, switch power off at service panel and lock the service disconnecting means to prevent power from being switched on accidentally. When the service disconnecting means cannot be locked, securely fasten a prominent warning device, such as a tag, to the service panel.
- Installation work and electrical wiring must be done by a qualified person(s) in accordance with all applicable codes and standards, including fire-rated construction codes and standards.
- Sufficient air is needed for proper combustion and exhausting of gases through the flue (chimney) of fuel burning equipment to prevent backdrafting. Follow the heating equipment manufacturer's guideline and safety standards such as those published by the National Fire Protection Association (NFPA), and the American Society for Heating, Refrigeration and Air Conditioning Engineers (ASHRAE), and the local code authorities.
- When cutting or drilling into wall or ceiling, do not damage electrical wiring and other hidden utilities.
- Ducted fans must always be vented to the outdoors.
- To reduce the risk of fire, use only metal ductwork.
- Do not install this product with the activating switch directly behind a burner or element. Minimum distance between the switch and the edge of the burner should be 4 inches.
- Loose-fitting or hanging clothing should never be worn when operating this appliance. They may be ignited by burners/elements on cooktop.
- Children should not be left alone or unattended in the area where this appliance is in use.
- This unit must be grounded.

TO REDUCE THE RISK OF A RANGE TOP GREASE FIRE:

- Never leave surface units unattended at high settings. Boilovers cause smoking and greasy spillovers that may ignite. Heat oils slowly on low or medium settings.
- Always turn hood ON when cooking at high heat or when cooking flaming foods.
- Clean ventilating fans frequently. Grease should not be allowed to accumulate on fan or filter.
- Use proper pan size. Always use cookware appropriate for the size of the surface element.

NOTE: Model RMDDRKB Remote Up/Down Control sold separately.

INSTALLER:

Save this manual for Electrical Inspector and Homeowner to use.

WARNING



TO REDUCE THE RISK OF INJURY TO PERSONS IN THE EVENT OF A RANGE TOP GREASE FIRE, OBSERVE THE FOLLOWING^a:

- SMOTHER FLAMES** with a close-fitting lid, cookie sheet, or metal tray, then turn off the burner. **BE CAREFUL TO PREVENT BURNS.** If the flames do not go out immediately, **EVACUATE AND CALL THE FIRE DEPARTMENT.**
 - NEVER PICK UP A FLAMING PAN** - You may be burned.
 - DO NOT USE WATER**, including wet dishcloths or towels - a violent steam explosion will result.
 - Use an extinguisher **ONLY** if:
 - You know you have a Class ABC extinguisher, and you already know how to operate it.
 - The fire is small and contained in the area where it started.
 - The fire department is being called.
 - You can fight the fire with your back to an exit.
- ^a Based on "Kitchen Firesafety Tips" published by NFPA.

CAUTION



- For indoor use only.
- For general ventilating use only. Do not use to exhaust hazardous or explosive materials and vapors.
- To avoid motor bearing damage and noisy and/or unbalanced impellers, keep drywall spray, construction dust, etc. off power unit.
- Clean filters and grease-laden surfaces frequently.
- Do not repair or replace any part of this appliance unless specifically recommended in this manual. All other servicing should be done by a qualified technician.
- Please read specification label on product for further information and requirements.
- To reduce the risk of fire and electric shock, install this downdraft only with Rangemaster blower models shown below. Other blowers cannot be substituted. (blowers sold separately).

Register your product online at: www.broan.com/register

MODEL	WIDTH	BLOWER
RMDD3004	30"	500 cfm Internal
RMDD3604	36"	500 cfm Internal
RMDD4804	48"	500 cfm Internal
RMDD3004EX	30"	External, Model 331H, 332H, 335, 336, HLB3, HLB6, HLB9, y HLB11 (purchase separately)
RMDD3604EX	36"	External, Model 331H, 332H, 335, 336, HLB3, HLB6, HLB9, y HLB11 (purchase separately)
RMDD4804EX	48"	External, Model 331H, 332H, 335, 336, HLB3, HLB6, HLB9, y HLB11 (purchase separately)

PLANNING

Internal Blower Installation

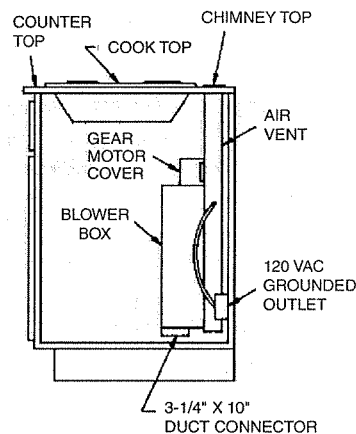
This downdraft blower system is designed to be used to exhaust airborne contaminants when cooking with a variety of gas or electric cooktops. It can be mounted in island, peninsula, or conventional wall locations.

This unit can be easily installed following these basic steps:

- Cut out the countertop opening.
- Mount the unit in the cabinet.
- Connect the ductwork and electrical.
- Install the cooktop.

Note: the high level of air flow of this appliance may effect the gas flame on some types of gas cooktops. This is NORMAL and will cause no harm, but can be corrected by lowering the speed of the blower.

TYPICAL INSTALLATION



ELECTRICAL SPECIFICATIONS
120 VAC • 60 Hz • 4.0 A

External Blower Installation

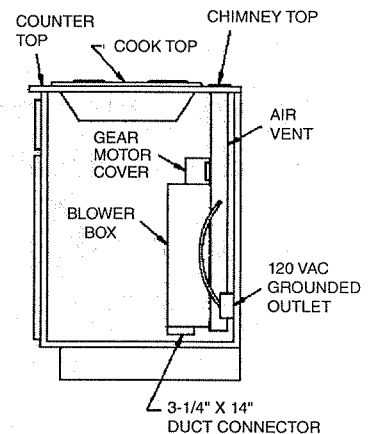
This downdraft blower system is designed to be used to exhaust airborne contaminants when cooking with a variety of gas or electric cooktops. It can be mounted in island, peninsula, or conventional wall locations.

This unit can be easily installed following these basic steps:

- Cut out the countertop opening.
- Mount the unit in the cabinet.
- Install Model 331H, 332H, 335, 336, HLB3, HLB6, HLB9, HLB11 External Blower
- Connect the ductwork and electrical.
- Install the cooktop.

Note: the high level of air flow of this appliance may effect the gas flame on some types of gas cooktops. This is NORMAL and will cause no harm, but can be corrected by lowering the speed of the blower.

TYPICAL INSTALLATION



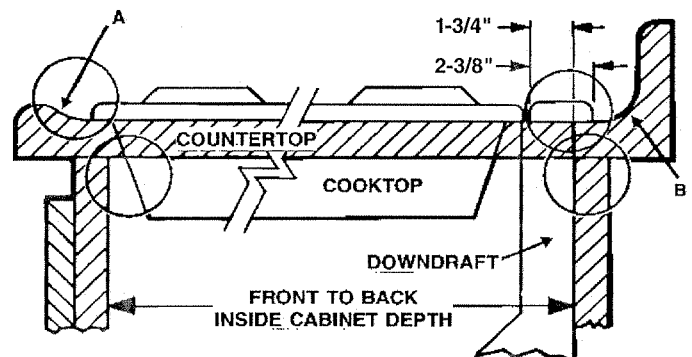
ELECTRICAL SPECIFICATIONS
120 VAC • 60 Hz • 6.0 A (max.)

TAKE MEASUREMENTS

All Units

1. Refer to the cooktop installation instructions for dimensions of cooktop, countertop cut-out, and cabinet requirements. Models RMDD3004 & RMDD3004EX will fit in most 30" wide cabinets. Models RMDD3604 & RMDD3604EX will fit in most 36" wide cabinets. Models RMDD4804 & RMDD4804EX will fit in most 48" wide cabinets. However, it is recommended that oversized cabinets be used for easier installation.
2. Cooktop depth can vary greatly from one to another. This may cause the fit of these two appliances to be rather tight.

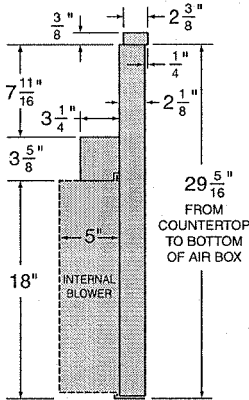
Pay special attention to the areas of potential interference highlighted above. A countertop with (A) a raised lip and/or (B) a backsplash may not allow enough flat countertop for a proper installation. Note that 2-3/8" of flat countertop is required behind cooktop and that 1-3/4" is necessary between the back edge of the cooktop and the inside of cabinet back.



TAKE MEASUREMENTS (CONTINUED)

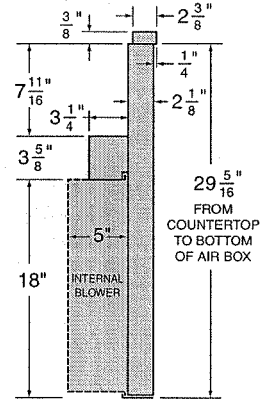
Internal Blower Installation

SIDE VIEW OF DOWNDRAFT



External Blower Installation

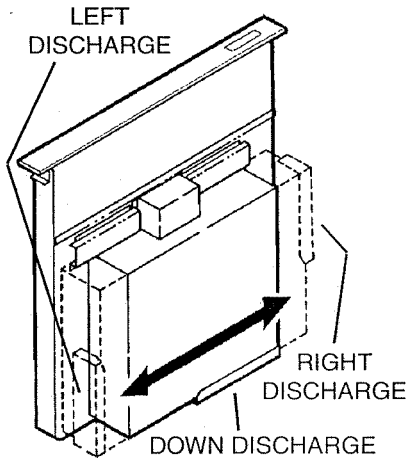
SIDE VIEW OF DOWNDRAFT



PLAN THE DUCTWORK

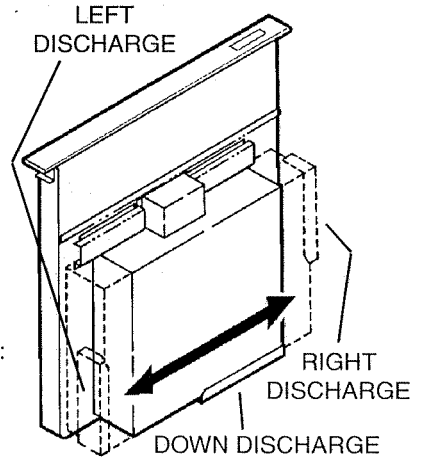
Internal Blower Installation

1. The interior down-draft blower system is designed for use with 3-1/4" x 10" ductwork (can be transitioned to 6" round). Three different discharge directions are available with side-to-side adjustment for accurate alignment of ductwork.
2. For best performance: Choose the ducting option which allows the shortest length of ductwork and a minimum number of elbows and transitions. Check location of floor joists, wall studs, electrical wiring or plumbing for possible interference.



External Blower Installation

1. The exterior down-draft blower system is designed for use with 3-1/4" x 14" rectangular ductwork (can be transitioned to 8" or 10" round). Three different discharge directions are available with side-to-side adjustment for accurate alignment of ductwork.
2. For best performance: Choose the ducting option which allows the shortest length of ductwork and a minimum number of elbows and transitions. Check location of floor joists, wall studs, electrical wiring or plumbing for possible interference.



<p>6" ROUND ELBOW</p> <p>EQUALS 8 FT. OF STRAIGHT DUCT</p>	<p>3-1/4" X 10" TO 6" RD. TRANSITION</p> <p>EQUALS 2 FT. OF STRAIGHT DUCT</p>	<p>3-1/4" X 10" 90° ELBOW</p> <p>EQUALS 14 FT. OF STRAIGHT DUCT</p>
--	---	---

<p>8" ROUND ELBOW</p> <p>EQUALS 11 FT. OF STRAIGHT DUCT</p>	<p>3-1/4" X 14" TO 8" RD. TRANSITION</p> <p>EQUALS 5 FT. OF STRAIGHT DUCT</p>	<p>3-1/4" X 14" 90° ELBOW</p> <p>EQUALS 19 FT. OF STRAIGHT DUCT</p>
---	---	---

3. The system will operate most efficiently when the ductwork does not exceed 40 feet of equivalent duct. The chart, above, shows equivalent feet of elbows and transitions. The number of feet of straight duct plus the equivalent feet of transitions and/or elbows to be used should equal 40 feet or less.

3. The system will operate most efficiently when the ductwork does not exceed 40 feet of equivalent duct. The chart, above, shows equivalent feet of elbows and transitions. The number of feet of straight duct plus the equivalent feet of transitions and/or elbows to be used should equal 40 feet or less.

NOTE: The equivalent feet of various roof and wall caps has been taken into consideration. Do not include them in this calculation.

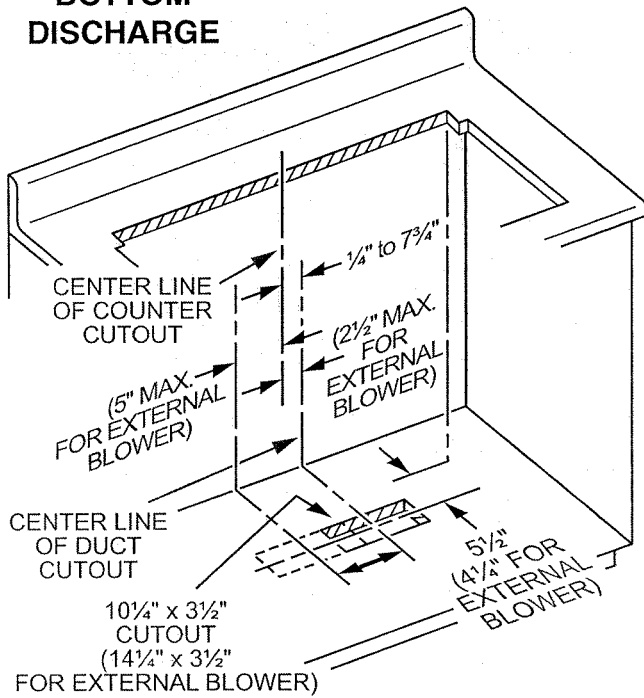
NOTE: The equivalent feet of various roof and wall caps has been taken into consideration. Do not include them in this calculation.

PLAN THE CABINET CUTOUTS

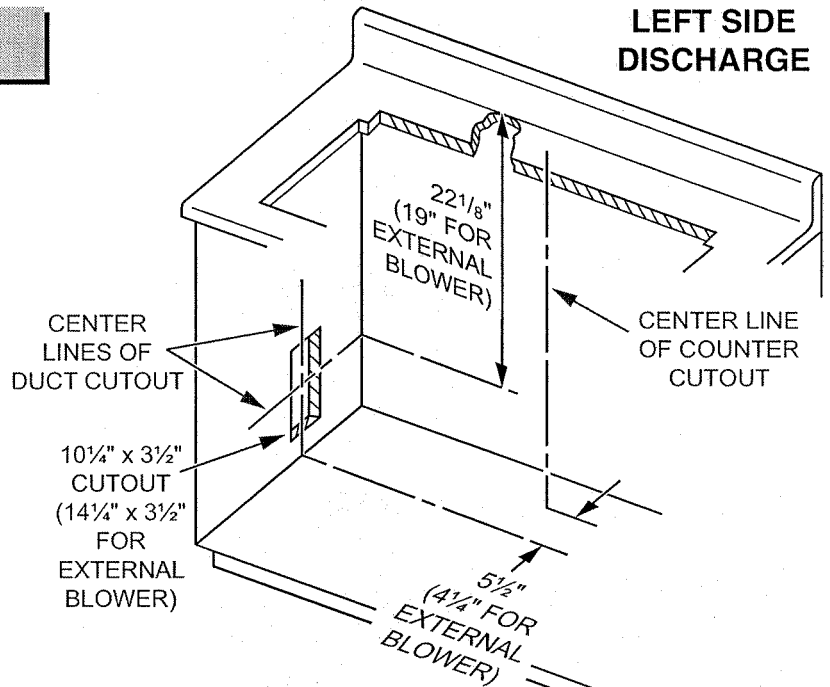
Blower Installation

CAUTION:
BEFORE CUTTING HOLE IN
CABINET FOR DUCTWORK,
check for interference with floor
joists, wall studs, electrical wiring,
or plumbing.

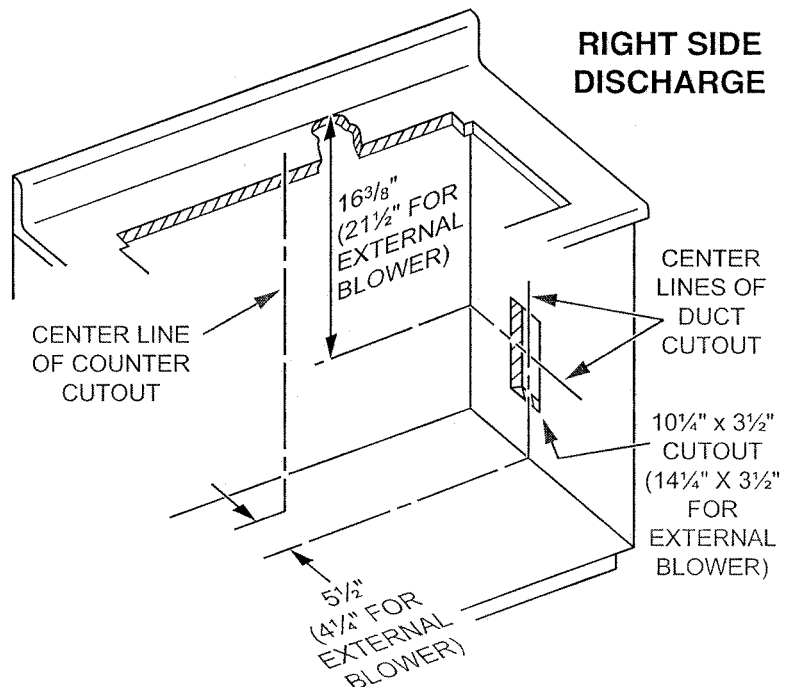
**BOTTOM
DISCHARGE**



**LEFT SIDE
DISCHARGE**



**RIGHT SIDE
DISCHARGE**



PLAN THE WIRING

Internal Blower Installation

1. The Internal Downdraft Blower system draws 4 AMPS and requires a 120 VAC, 60 Hz circuit.
2. The unit has a 18 in. long power cord with a 3-pronged plug. Plan to provide a grounded outlet in a location which will allow the unit's power cord to reach.

IMPORTANT - LOCATION OF ELECTRICAL OUTLET:

If Model RMDD3004 is being installed in a 30" wide cabinet...
 or Model RMDD3604 is being installed in a 36" wide cabinet...
 or Model RMDD4804 is being installed in a 48" wide cabinet...

...the outlet cannot be located on the back wall of cabinet.

In these cases, the width of the downdraft covers nearly the entire width of the back wall of the cabinet. So you must either:

- mount the electrical box to a side wall or cabinet floor - at least 12 inches from the back wall.
 - mount the electrical box to a wall stud behind the cabinet - where it will not be covered by the downdraft.
- Then provide a clearance hole in the back wall of the cabinet.

External Blower Installation

1. The External Downdraft Blower system draws 6 AMPS and requires a 120 VAC, 60 Hz circuit.
2. The unit has a 18 in. long power cord with a 3-pronged plug. Plan to provide a grounded outlet in a location which will allow the unit's power cord to reach.

IMPORTANT - LOCATION OF ELECTRICAL OUTLET:

If Model RMDD3004EX is being installed in a 30" wide cabinet...
 or Model RMDD3604EX is being installed in a 36" wide cabinet...
 or Model RMDD4804EX is being installed in a 48" wide cabinet...

...the outlet cannot be located on the back wall of cabinet.

In these cases, the width of the downdraft covers nearly the entire width of the back wall of the cabinet. So you must either:

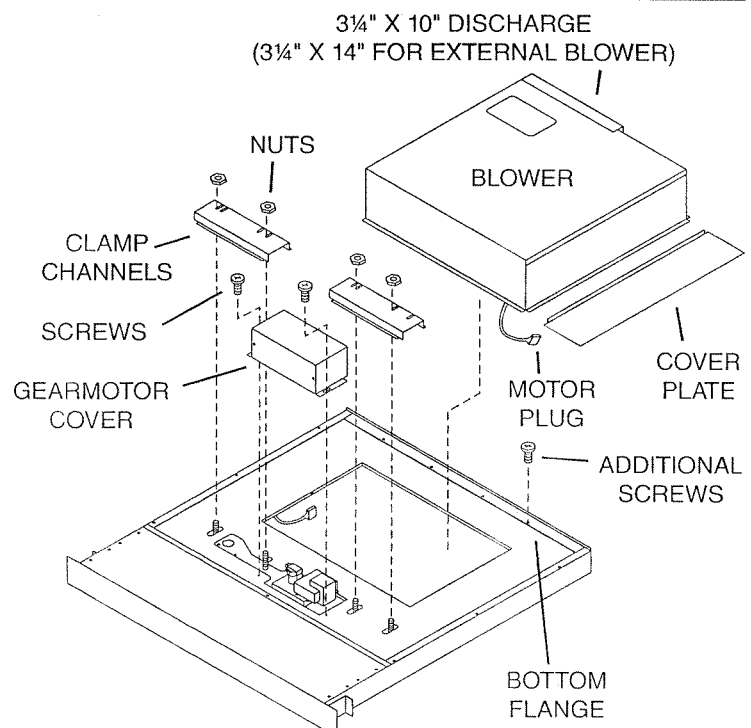
- mount the electrical box to a side wall or cabinet floor - at least 12 inches from the back wall.
 - mount the electrical box to a wall stud behind the cabinet - where it will not be covered by the downdraft.
- Then provide a clearance hole in the back wall of the cabinet.

PREPARE THE DOWNDRAFT

Blower Duct Connection Installation (all blowers)

The downdraft is shipped with duct connector pointing toward the bottom of the unit. If you wish to change this orientation, follow the steps below:

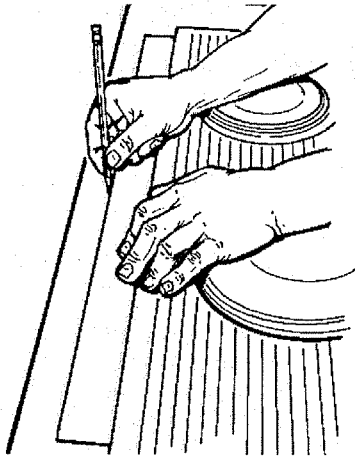
1. Place the downdraft on its back on a table of flat work surface.
2. Remove the 4 nuts and 2 clamp channels.
3. Remove 2 screws and the gear motor cover.
4. Carefully position the blower under the bottom flange of the downdraft with the 3 1/4" x 10" discharge (3 1/4" x 14" for exterior or in-line blower) pointed in the desired direction.
5. Connect motor plug.
6. Replace the gear motor cover and 2 sheet metal screws.
7. Replace the 2 clamp channels and start the 4 nuts, do not tighten.
8. Slide blower left of right to desired position. Use cover plate (supplied) to close up any open space.
9. Tighten 4 nuts to secure top of blower. Use additional screws (supplied) through bottom flange to secure bottom in blower.



CUT COUNTERTOP OPENING

All Units

1. Lay out and cut the cooktop cut-out far enough FORWARD so downdraft will fit behind it.
2. Set cooktop in place and slide it as far forward as possible. Center and square it with edges of countertop.

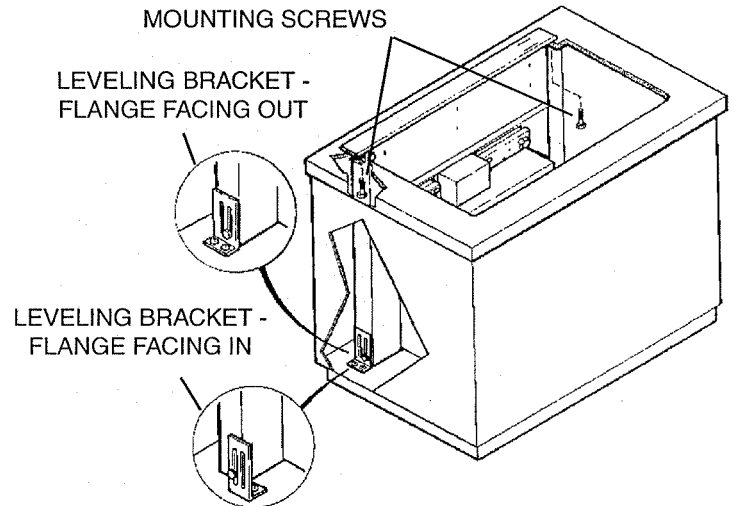


3. Place the plastic template against the back flange of the cooktop and center it. Trace around template to mark the downdraft opening.
4. Remove cooktop from countertop.
5. Cut downdraft opening. Be careful not to chip edges of countertop.

MOUNT THE UNIT

All Units

1. Set downdraft into opening. Extend **leveling brackets** to floor of cabinet so downdraft sits straight. (Note: Leveling brackets can be removed and re-attached in other positions. Bottom flange may have to face inward in tight cabinet installations.)
2. Secure the downdraft to the countertop as follows: Hold the downdraft against the back of countertop cut-out and tightening the two **mounting screws** (one on each end of unit) on underside of countertop. Use a wood shim between screw and underside of granite countertops.
3. Screw **leveling brackets** to bottom of cabinet. Tighten screws holding leveling bracket to unit on each side.



INSTALL DUCTWORK

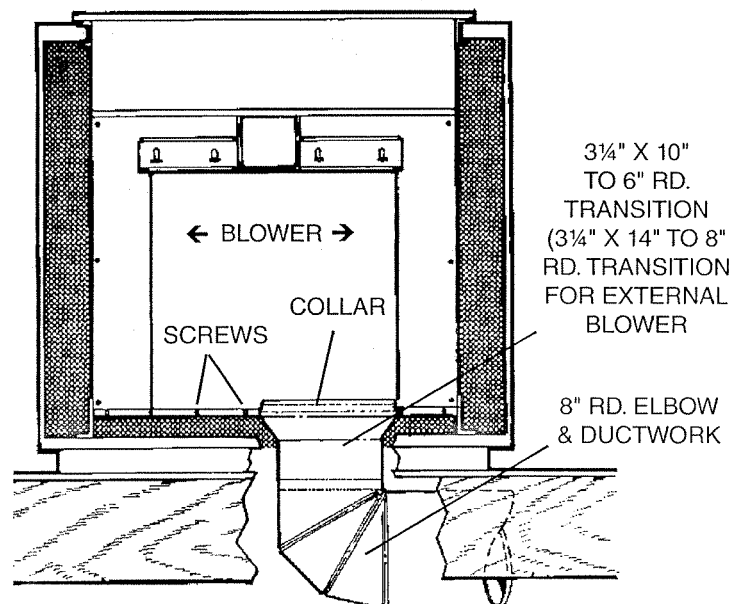
Blower Installation



CAUTION:
BEFORE CUTTING HOLE IN
CABINET FOR DUCTWORK,
check for interference with floor
joists, wall studs, electrical wir-
ing, or plumbing.

1. Cut hole in cabinet as well as holes in wall or floor as necessary.
2. Mount the roof or wall cap and work back towards the cabinet, attaching all **ductwork, elbows and transitions** as previously planned. Tape all ductwork connections to make them secure and air tight.
3. Connect **ductwork** (and transition, if required) to downdraft. If necessary, **LOOSEN** nuts and **screws** that hold the blower in place, and slide **blower** left or right to meet ductwork. Re-tighten screws and nuts.

Note: A 3¼" x 10" collar (3¼" x 14" collar for external blower) is provided for installers who prefer to rivet the ductwork to the unit. This will allow blower to be removed and replaced easily in service situations without disturbing ductwork.



INSTALL ELECTRICAL WIRING

Internal Blower Installation



CAUTION: All electrical wiring should be done by a qualified person(s) in accordance with all applicable codes and standards.

1. Mount a standard wiring box, with 3-pronged receptacle, inside the cabinet. Make sure the downdraft's power cord can easily reach it.
2. Run appropriate power cable into cabinet and connect it to receptacle.
3. Plug the downdraft's power cord into the outlet. Make sure that the power cord is routed away from the heat generated by the cooktop.

External Blower Installation



CAUTION: All electrical wiring should be done by a qualified person(s) in accordance with all applicable codes and standards.

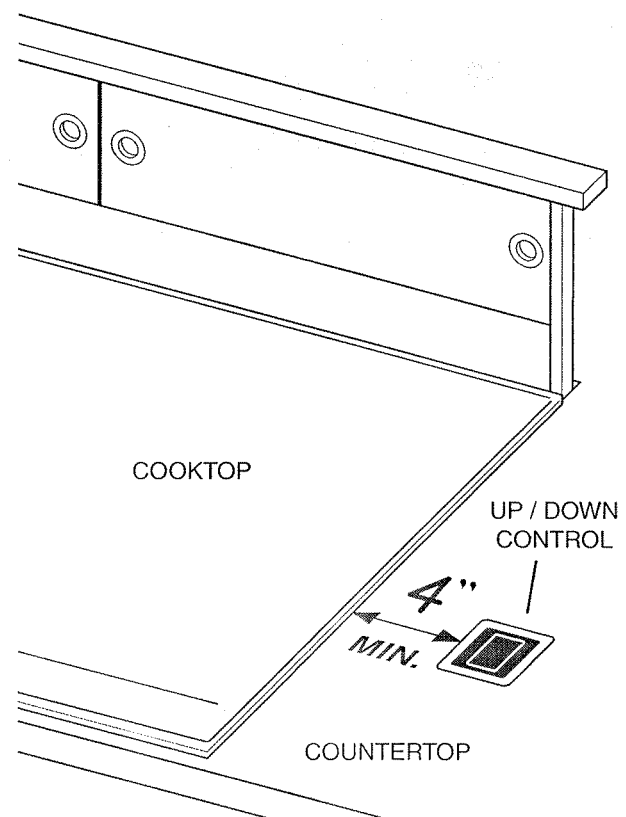
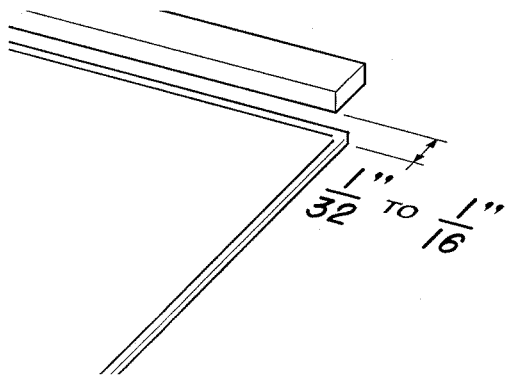
1. Mount a standard wiring box, with 3-pronged grounded receptacle, inside the kitchen cabinet. Make sure the unit's power cord can easily reach it.
2. Run appropriate power cable into cabinet and connect it to electrical box and receptacle.
3. External blower **may not exceed 6.0 Amp** rating.
4. Run 2-wire plus ground power cable from the external blower to wiring box on adaptor plate. Remove wiring box cover.
5. Connect wiring harness to power cable from external blower. Wire black to black, white to white, and green to green or bare wire.
6. Replace wiring box cover.
7. Plug the downdraft's power cord into outlet. Make sure that the power cord is routed away from the heat generated by the cooktop.

INSTALL COOKTOP

All Units

1. Align the cooktop with the downdraft and fasten cooktop in place.

Note: Accurate alignment of cooktop and downdraft is necessary to ensure that there is no interference when air vent is raised and lowered. There should be a gap of 1/32" - 1/16" between the back of the cooktop and the front of the downdraft cover.



Note:

The downdraft up/down control must be mounted into the countertop, at least 4" from the cooktop.

REMOTE UP/DOWN CONTROL INSTALLATION (OPTIONAL)

All Units

When to use the Remote UP/DOWN Control

The Remote UP/DOWN Control should be used when your cooktop has a burner that is within 4 inches of the UP/DOWN Button on the downdraft chimney.

The Remote UP/DOWN Control can be used for convenient UP/DOWN operation of the downdraft chimney (even when a burner is more than 4 inches from the UP/DOWN Button of the downdraft chimney).

How to use the Remote UP/DOWN Control

Do not place the remote control where it will interfere with cooking, where hot pans could be set, or where hot liquids could be spilled on the control.

The Remote UP/DOWN Control disables the UP/DOWN function of the UP/DOWN Button on the downdraft chimney.

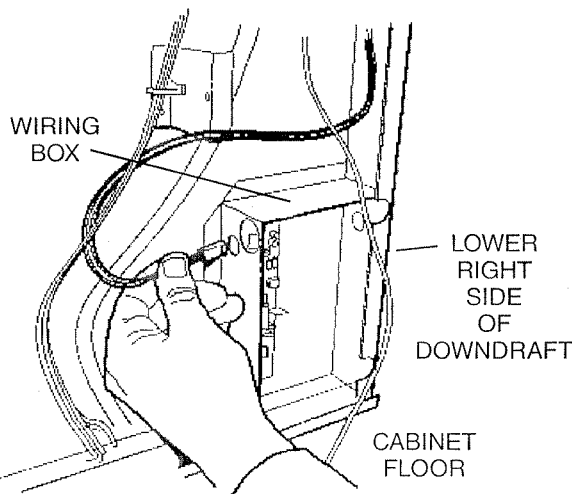
Installation

1. Using the template at right, lay out the 3-hole pattern on the counter top. Mark the centers of the three holes to be drilled.
2. Carefully drill the three holes through the counter top. Be careful not to damage or chip the counter top surface when drilling the holes.
3. Remove the control from the plastic bag. Line the control up with the three holes and position the control so it is parallel with the front of the counter top.
4. Remove the two nylon thumbnuts from the plastic bag and thread onto the two studs on the control from below the counter top. **Hand tighten only.**

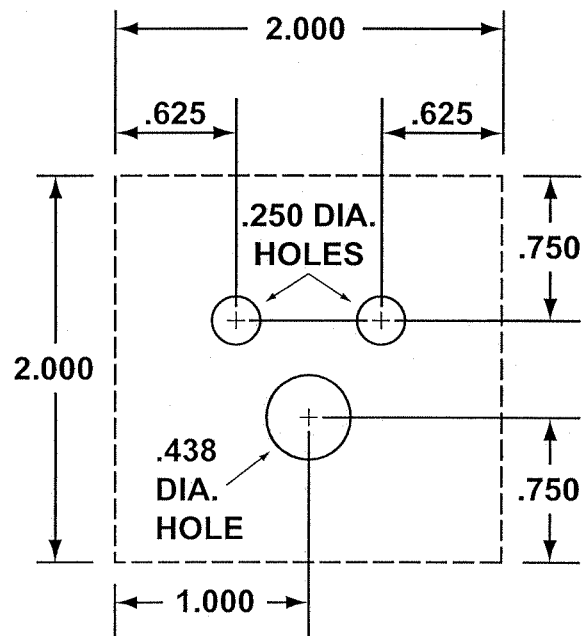


WARNING: To reduce the risk of burns or ignition of clothing by reaching across burners, the remote control must be mounted at least 4" away from any cook top burner.

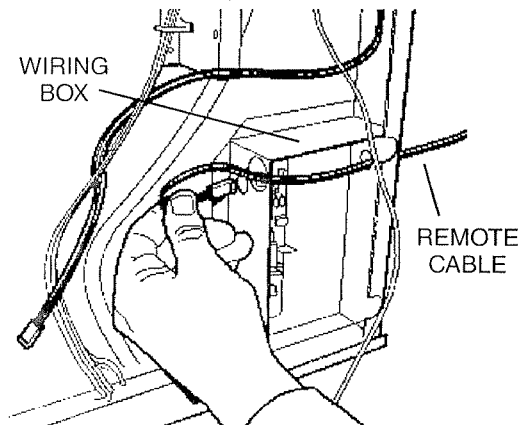
5. Remove the blower, clamp channels, and gearmotor cover from downdraft (see "Prepare the Downdraft" on page 5). Remove the large panel to expose the downdraft's wiring.



6. At the lower right hand corner of downdraft, unplug the cable from the left side of the wiring box.



CUT OUT ON DOTTED LINE



7. Remove remote cable from the plastic bag and plug into back of control from below counter top. Route cable through cabinet to lower right hand corner of downdraft and through the clearance holes in the side of downdraft and wiring box. Plug cable into circuit board plug, as shown.
8. Stuff excess cable out of the way, secure the cable so it is not damaged by items stored in the cabinet, and reassemble downdraft.

USE AND CARE**All Units**

WARNING: Always disconnect electric power supply before cleaning and/or servicing unit.

Always turn the downdraft blower on before you begin cooking to establish an air flow in the kitchen. Let the blower run for a few minutes to clean the air after you turn the cooktop off. This will keep the whole kitchen cleaner and brighter. The activating switch is pressed and the air vent rises.

Cleaning

Use a mild detergent suitable for painted surfaces. **DO NOT USE ABRASIVE CLOTH, STEEL WOOL PADS, OR SCOURING POWDERS.** Vacuum blower to clean. Do not immerse blower in water.

Wash the 2 aluminum/stainless steel grease filters in a mild detergent solution or a dishwasher. Remove them from the air vent by grasping the tab at the top of each filter.

Servicing

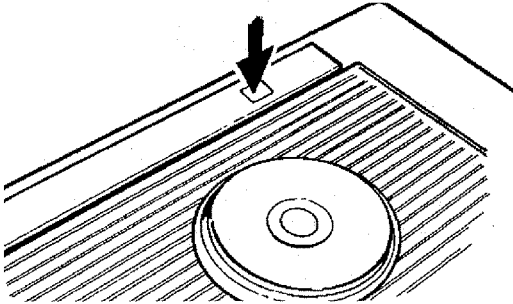
It may be necessary to remove the downdraft blower system from the cabinet in order to service components such as the blower motor or air vent mechanism.

Disconnect power to the cooktop and remove it first. Reverse the steps under "MOUNT THE UNIT" to remove the downdraft from the cabinet.

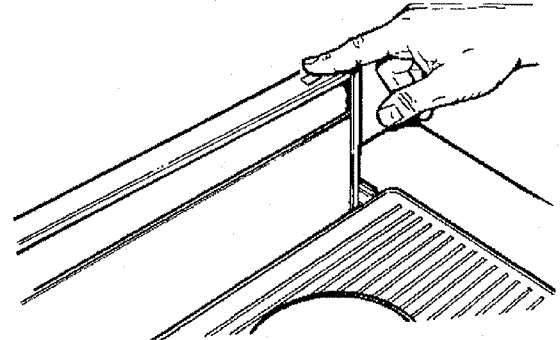
BACKSIDE OF
REMOTE SWITCH
TEMPLATE

OPERATION

All Units

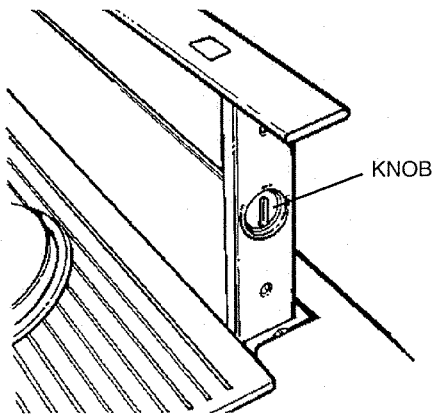


Turn the downdraft blower ON by pressing down on the activating switch. The air vent will rise.



Turn the downdraft blower OFF by pressing the activating switch again. The air vent will go down and the blower will shut OFF.

Note: For most convenient operation, set the blower to your favorite speed. The blower will come on to this speed whenever the activating switch is pressed and the air vent rises.

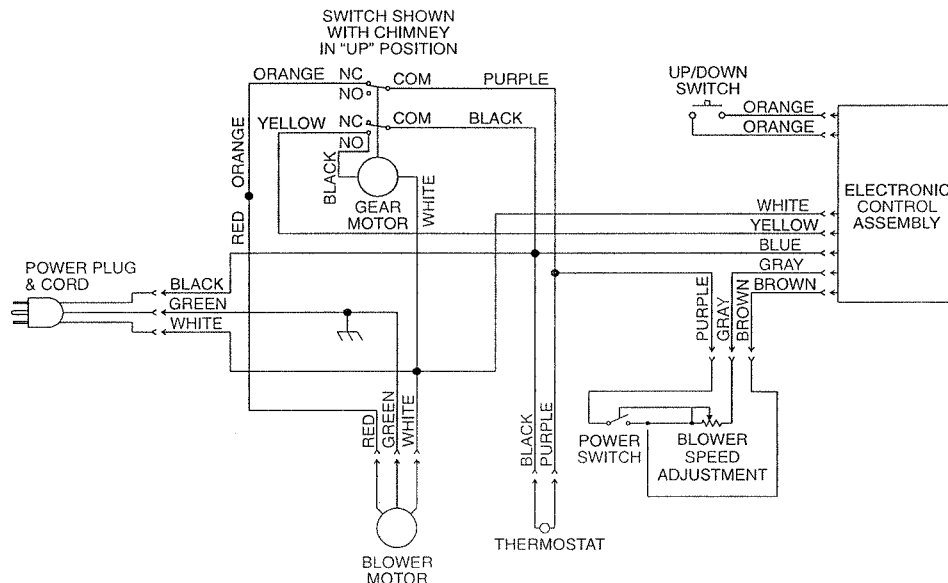


The blower can be turned ON or OFF and its speed can be adjusted with the recessed knob on the right side of the air vent.

Heat Sentry

When chimney is UP and blower is ON (at any speed) or OFF:
 If the exhaust temperature becomes higher than expected, the Heat Sentry mode will activate and increase the blower speed to HIGH.
 Lowering the chimney will turn blower OFF - even if Heat Sentry is active.

WIRING DIAGRAM



WARRANTY

BROAN ONE YEAR LIMITED WARRANTY

Broan warrants to the original consumer purchaser of its products that such products will be free from defects in materials or workmanship for a period of one year from the date of original purchase. THERE ARE NO OTHER WARRANTIES, EXPRESS OR IMPLIED, INCLUDING, BUT NOT LIMITED TO, IMPLIED WARRANTIES OR MERCHANTABILITY OR FITNESS FOR A PARTICULAR PURPOSE.

During this one-year period, Broan will, at its option, repair or replace, without charge, any product or part which is found to be defective under normal use and service.

THIS WARRANTY DOES NOT EXTEND TO FLUORESCENT LAMP STARTERS, TUBES, HALOGEN AND INCANDESCENT BULBS. This warranty does not cover (a) normal maintenance and service or (b) any products or parts which have been subject to misuse, negligence, accident, improper maintenance or repair (other than by Broan), faulty installation or installation contrary to recommended installation instructions.

The duration of any implied warranty is limited to the one-year period as specified for the express warranty. Some states do not allow limitation on how long an implied warranty lasts, so the above limitation may not apply to you.

BROAN'S OBLIGATION TO REPAIR OR REPLACE, AT BROAN'S OPTION, SHALL BE THE PURCHASER'S SOLE AND EXCLUSIVE REMEDY UNDER THIS WARRANTY. BROAN SHALL NOT BE LIABLE FOR INCIDENTAL, CONSEQUENTIAL OR SPECIAL DAMAGES ARISING OUT OF OR IN CONNECTION WITH PRODUCT USE OR PERFORMANCE.

Some states do not allow the exclusion or limitation of incidental or consequential damages, so the above limitation or exclusion may not apply to you.

This warranty gives you specific legal rights, and you may also have other rights, which vary from state to state. This warranty supersedes all prior warranties.

To qualify for warranty service, you must (a) notify Broan at the address or telephone number below, (b) give the model number and part identification and (c) describe the nature of any defect in the product or part. At the time of requesting warranty service, you must present evidence of the original purchase date.

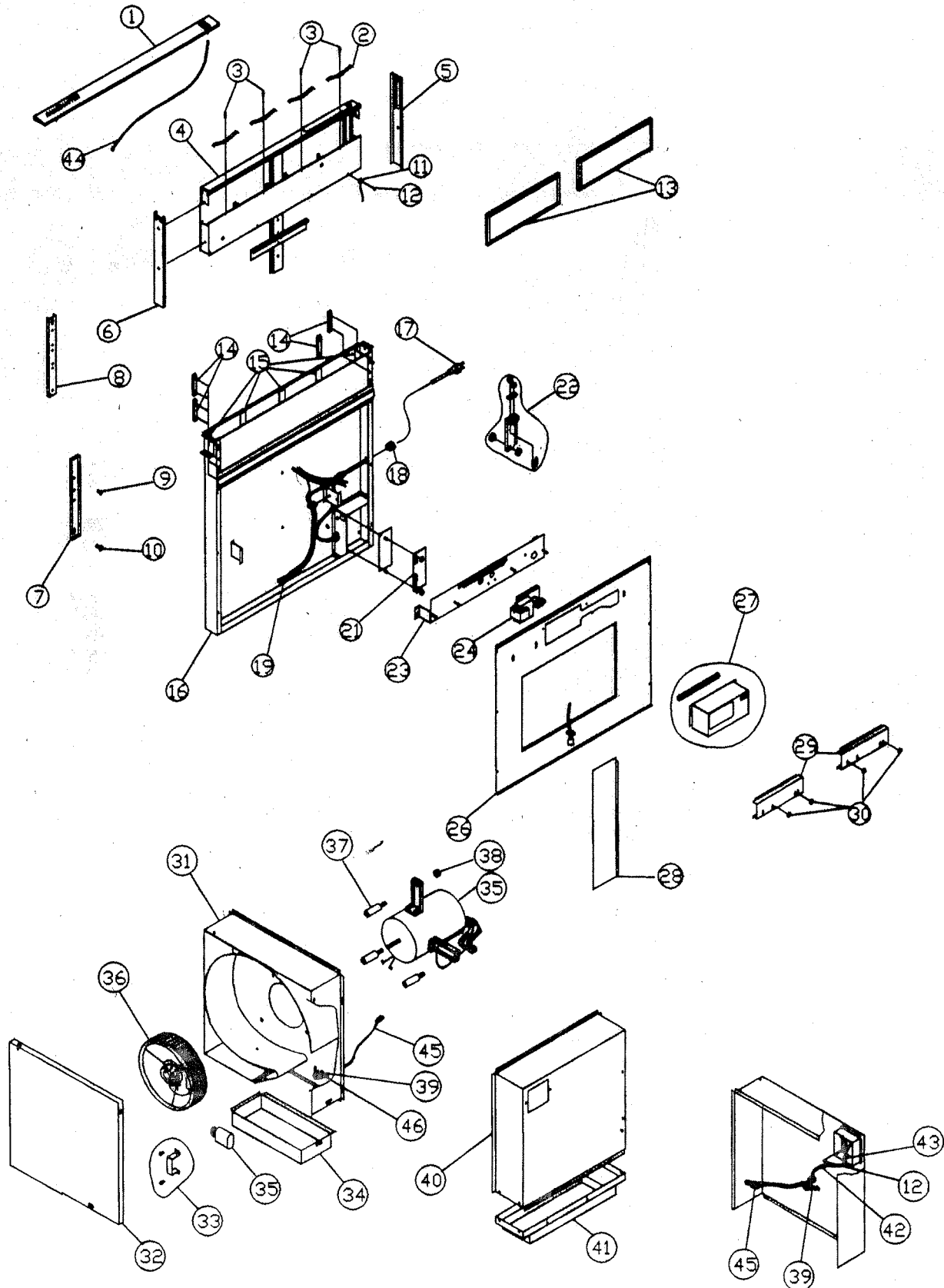
Broan-NuTone LLC Hartford, Wisconsin
www.broan.com 800-558-1711

Replacement parts can now be ordered on our website. Please visit us at www.Broan.com

SERVICE PARTS

KEY NO.	30N WIDTH	36N WIDTH	48N WIDTH	DESCRIPTION
1	97018397	97018398	97018399	TOP COVER
2	99140195	99140195	99140195	FILTER SPRING
3	99230345	99230345	99230345	POP RIVET
4	97018526	97018527	97018528	CHIMNEY ASSEMBLY
5	97015874	97015874	97015874	END CAP RH
6	98009358	98009358	98009358	END CAP LR
7	97015973	97015973	97015973	MACHINED CHIMNEY SLIDE
8	98010013	98010013	98010013	MACHINED AIRBOX SLIDE
9	99160421	99160421	99160421	SCREW RHM 8-32 x .375
10	99160419	99160419	99160419	SCREW 8-32 x .500 PHL
11	99271218	99271218	99271218	GROUND WIRE
12	99150471	99150471	99150471	SCREW 10-32 x .500 TYP CA PH
13	97015841	97015842	97015843	FILTER
14	99710032	99710032	99710032	SPACER
15	99111184	99111184	99111184	SLIDE STRIPS
16	97015974	97015975	97015976	AIRBOX WELDMENT
17	99271210	99271210	99271210	CORD SET
18	99400060	99400060	99400060	STRAIN RELIEF BUSHING
19	99271295	99271295	99271295	WIRE HARNESS
20	99271292	99271292	99271292	SWITCH ASSEMBLY
21	99271291	99271291	99271291	CONTROL BOARD
22	97018525	97018525	97018525	CRANK ASSEMBLY
23	97017023	97017023	97017023	GEAR MOTOR BRACKET
24	97017039	97017035	97017036	GEAR MOTOR KIT INTERNAL BLOWER MODELS (INCLUDES ITEM 23 & 27 ON 36N & 48N MODELS)
	97017059	97017037	97017038	GEAR MOTOR KIT EXTERNAL BLOWER MODELS (INCLUDES ITEM 23 & 27 ON 36N & 48N MODELS)
26	98010798	98010799	98010801	FRONT AIRBOX BOTTOM
27	97017045	97017041	97017042	GEAR MOTOR COVER INTERNAL BLOWER MODELS
	97017046	97017043	97017044	GEAR MOTOR COVER EXTERNAL BLOWER MODELS
28	98010802	98010803	98010803	AIRBOX OPENING COVER
29	98010804	98010804	98010824	AIRBOX CLAMP
30	99260488	99260488	99260488	WHIZ NUT 10-24
31	97018476	97018476	97018476	SCROLL BOX ASSEMBLY
32	98010809	98010809	98010809	SCROLL BOX COVER
33	98008157	98008157	98008157	CAPACITOR CLAMP
34	98010810	98010810	98010810	EXT - SCROLL BOX WELDMENT
35	99080362	99080362	99080362	MOTOR W/CAPACITOR
36	99020247	99020247	99020247	BLOWER WHEEL
37	99100484	99100484	99100484	MOTOR MOUNT ISOLATOR
38	99260477	99260477	99260477	WHIZ NUT 1/4-20
39	99030323	99030323	99030323	THERMOSTAT
40	97016974	97016974	97016974	ADAPTOR PLATE
41	98010005	98010005	98010005	OUTLET PLATE
42	99271304	99271304	99271304	WIRE HARNESS
43	99400042	99400042	99400042	STRAIN RELIEF BUSHING
44	99271296	99271296	99271296	UP/DOWN BUTTON HARNESS
45	99271306	99271306	99271306	THERMOSTAT WIRE HARNESS
46	98010010	98010010	98010010	THERMOSTAT MOUNTING BRACKET

SERVICE PARTS



MODELO	ANCHO	VENTILADOR
RMDD3004	76,2 cm (30")	interior de 500 pcm
RMDD3604	91,4 cm (36")	interior de 500 pcm
RMDD4804	122 cm (48")	interior de 500 pcm
RMDD3004EX	76,2 cm (30")	exterior, modelo 331H, 332H, 335, 336, HLB3, HLB6, HLB9, y HLB11 (se compra por separado)
RMDD3604EX	91,4 cm (36")	exterior, modelo 331H, 332H, 335, 336, HLB3, HLB6, HLB9, y HLB11 (se compra por separado)
RMDD4804EX	122 cm (48")	exterior, modelo 331H, 332H, 335, 336, HLB3, HLB6, HLB9, y HLB11 (se compra por separado)



ADVERTENCIA. Para reducir el riesgo de quemaduras o que se incendie la ropa al atravesarse sobre de los quemadores, el control remoto del tiro invertido se **DEBE** montar en la superficie del gabinete, a una distancia mínima de 10,2 cm (4") de los quemadores. Consulte la sección "INSTALE LA ESTUFA" en la página 21.

LEA Y CONSERVE ESTAS INSTRUCCIONES

ADVERTENCIA



PARA REDUCIR EL RIESGO DE INCENDIOS, DESCARGAS ELÉCTRICAS O LESIONES PERSONALES OBSERVE LAS SIGUIENTES PRECAUCIONES:

- Use la unidad sólo de la manera indicada por el fabricante. Si tiene preguntas, comuníquese con el fabricante a la dirección o el número telefónico que se incluye en la garantía.
- Antes de dar servicio o limpiar la unidad, interrumpa el suministro eléctrico en el panel de servicio y bloquee los medios de desconexión del servicio para evitar que la electricidad se reanude accidentalmente. Cuando no sea posible bloquear los medios de desconexión del servicio, fije firmemente en el panel de servicio un dispositivo de advertencia prominentemente visible, como por ejemplo una etiqueta.
- Una o más personas calificadas deben realizar el trabajo de instalación y el cableado eléctrico, de acuerdo con todos los códigos y normas correspondientes, inclusive los códigos y normas de construcción específicos sobre protección contra incendios.
- Se necesita suficiente aire para que se lleve a cabo una combustión adecuada y para la descarga de los gases a través del tubo de humos (chimenea) del equipo quemador de combustible a fin de evitar las contracorrientes. Siga los lineamientos y las normas de seguridad del fabricante del equipo de calentamiento, como aquellos publicados por la Asociación Nacional de Protección contra Incendios (National Fire Protection Association, NFPA), y la Sociedad Americana de Ingenieros en Calefacción, Refrigeración y Aire Acondicionado (American Society for Heating, Refrigeration and Air Conditioning Engineers, ASHRAE), y las autoridades de los códigos locales.
- Al cortar o perforar a través de la pared o del cielo raso, no dañe el cableado eléctrico ni otros servicios ocultos.
- Los ventiladores con conductos siempre se deben conectar hacia el exterior.
- Para reducir el riesgo de incendio, use solamente conductos metálicos.
- No instale este producto con el conmutador de activación directamente detrás de un quemador o elemento. La distancia mínima entre el conmutador y el borde del quemador debe ser de 10 cm (4").
- Cuando se opere este electrodoméstico nunca se debe usar ropa holgada o colgante. Este tipo de ropa se puede incendiar con los quemadores o elementos de la estufa.
- No se debe dejar niños solos o desatendidos en el área en la que se usa este electrodoméstico.
- Esta unidad se debe conectar a tierra.

PARA REDUCIR EL RIESGO DE INCENDIO PROVOCADO POR GRASA EN LA ESTUFA:

- Nunca deje las unidades de la superficie desatendidas en ajustes altos de calor. Los alimentos en ebullición causan derrames grasosos y con humo que se pueden inflamar. Caliente el aceite lentamente en ajustes de calor bajo o medio.
- Siempre ENCIENDA la campana cuando cocine a calor alto o cuando cocine alimentos inflamables.
- Limpie frecuentemente los ventiladores. No se debe permitir la acumulación de grasa en el ventilador ni en el filtro.
- Use una cacerola del tamaño adecuado. Siempre use utensilios de cocina apropiados para el tamaño del elemento de la superficie.

PARA REDUCIR EL RIESGO DE LESIONES PERSONALES EN EL

NOTA: El control remoto de Ascenso/Descenso vendido por separado.

PARA LA PERSONA QUE REALIZA LA INSTALACIÓN:

Conserve este manual que lo use el inspector eléctrico y el propietario.

ADVERTENCIA



CASO DE QUE SE INCENDIE LA GRASA DE LA ESTUFA, OBSERVE LAS SIGUIENTES PRECAUCIONES^a:

- APAGUE LAS LLAMAS con una tapa de ajuste exacto, una charola para galletas o una bandeja de metal, luego apague el quemador. **TENGA CUIDADO PARA PREVENIR QUEMADURAS.** Si las llamas no se apagan inmediatamente, EVACUE EL ÁREA Y LLAME AL DEPARTAMENTO DE BOMBEROS.
 - NUNCA LEVANTE UNA CACEROLA INCENDIADA, se puede quemar.
 - NO USE AGUA ni toallas húmedas, - ya que provocará una violenta explosión de vapor.
 - Use un extintor SÓLO si:
 - Sabe que tiene un extintor clase ABC, y ya sabe cómo usarlo.
 - El incendio es pequeño y está confinado en el área en la que se inició.
 - Va a llamar al Departamento de Bomberos.
 - Puede combatir el incendio con la espalda hacia una salida.
- ^a Basado en "Kitchen Firesafety Tips" (Sugerencias para la seguridad contra incendios en la cocina) publicado por NFPA.

PRECAUCIÓN



- Para uso de interior solamente.
- Sólo para uso en ventilación general. No se use para descargar materiales o vapores peligrosos o explosivos.
- Para evitar daños a los cojinetes del motor y rotores ruidosos y/o no equilibrados, mantenga el rocío de yeso, el polvo de la construcción, etc. alejado de la unidad de accionamiento.
- Limpie frecuentemente los filtros y las superficies con grasa.
- No repare ni reemplace ninguna pieza de este electrodoméstico a menos que así se recomiende específicamente en este manual. Todas las demás operaciones de servicio las debe realizar un técnico calificado.
- Por favor lea la etiqueta de especificaciones que tiene el producto para ver información y requisitos adicionales.
- Para reducir el riesgo de incendios y descargas eléctricas, instale este ventilador de tiro descendente solamente con ventiladores de Rangemaster demostrado abajo. Otros modelos del ventilador no pueden ser substituidos. (Ventiladores vendidos por separado).

Registre su producto en línea en: www.broan.com/register

MODELO	ANCHO	VENTILADOR
RMDD3004	76,2 cm (30")	interior de 500 pcm
RMDD3604	91,4 cm (36")	interior de 500 pcm
RMDD4804	122 cm (48")	interior de 500 pcm
RMDD3004EX	76,2 cm (30")	exterior, modelo 331H, 332H, 335, 336, HLB3, HLB6, HLB9, y HLB11 (se compra por separado)
RMDD3604EX	91,4 cm (36")	exterior, modelo 331H, 332H, 335, 336, HLB3, HLB6, HLB9, y HLB11 (se compra por separado)
RMDD4804EX	122 cm (48")	exterior, modelo 331H, 332H, 335, 336, HLB3, HLB6, HLB9, y HLB11 (se compra por separado)

PLANIFICACIÓN

Instalación del ventilador interior

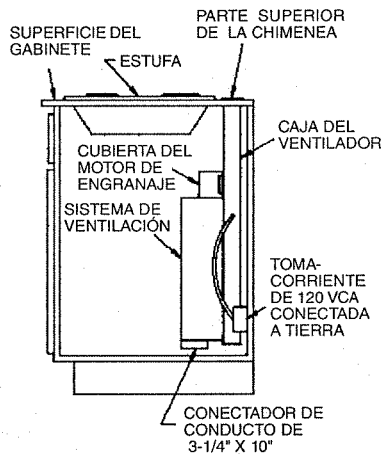
El sistema de ventilación de tiro descendente está diseñado para descargar los contaminantes transportados por el aire cuando se cocina en una variedad de estufas a gas o eléctricas. Se puede montar en unidades de isla, península o convencionales de la pared.

Esta unidad se puede instalar fácilmente siguiendo estos pasos básicos:

- Haga la abertura en la superficie del gabinete.
- Monte la unidad en el gabinete.
- Conecte los conductos y el sistema eléctrico.
- Instale la estufa.

Nota: el flujo de aire de alto nivel de este electrodoméstico puede afectar la llama de gas en algunos tipos de estufas a gas. Esto es NORMAL y no causará daño, pero se puede corregir reduciendo la velocidad del ventilador.

INSTALACIÓN TÍPICA



ESPECIFICACIONES ELÉCTRICAS

120 VCA • 60 Hz • 4.0 A

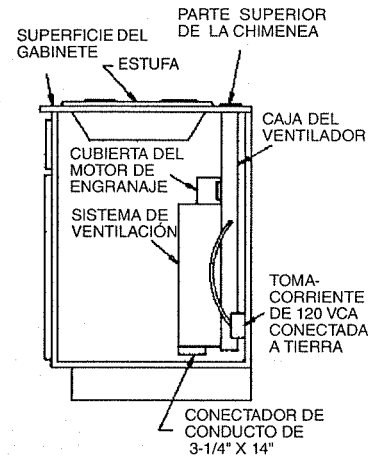
Instalación del ventilador exterior

Este sistema de ventilación de tiro descendente está diseñado para descargar contaminantes transportados por el aire cuando se cocina en una variedad de estufas a gas y eléctricas. Se puede montar en unidades de isla, península o convencionales de la pared. Esta unidad se puede instalar fácilmente siguiendo estos pasos básicos:

- Haga la abertura en la superficie del gabinete.
- Monte la unidad en el gabinete.
- Instale el ventilador externo modelo 331H, 332H, 335, 336, HLB3, HLB6, HLB9, o HLB11
- Conecte los conductos y el sistema eléctrico.
- Instale la estufa.

Nota: el flujo de aire de alto nivel de este electrodoméstico puede afectar la llama de gas en algunos tipos de estufas a gas. Esto es NORMAL y no causará daño, pero se puede corregir reduciendo la velocidad del ventilador.

INSTALACIÓN TÍPICA



ESPECIFICACIONES ELÉCTRICAS

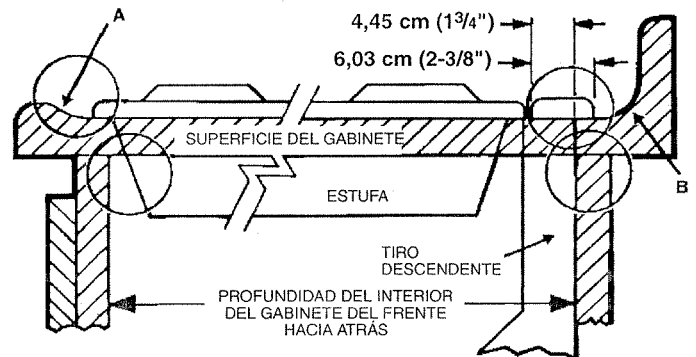
120 VCA • 60 Hz • 6.0 A (máx.)

TOME MEDIDAS

Todas las unidades

1. Consulte las instrucciones de instalación de la estufa para ver las dimensiones de la estufa, la abertura en la superficie del gabinete y los requerimientos del gabinete. Los modelos RMDD3004 y RMDD3004EX cabrán en la mayoría de los gabinetes de 76,2 cm (30") de ancho. Los modelos RMDD3604 y RMDD3604EX cabrán en la mayoría de los gabinetes de 91,4 cm (36") de ancho. Los modelos RMDD4804 y RMDD4804EX cabrán en la mayoría de los gabinetes de 122 cm (48") de ancho. Sin embargo, se recomienda que se usen gabinetes de mayor tamaño para facilitar la instalación.
2. La profundidad de las diferentes estufas varía grandemente. Esto puede ocasionar que estos dos electrodomésticos queden muy ajustados.

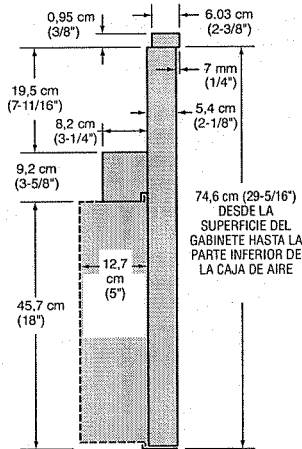
Preste atención especial a las áreas de posible interferencia que se indicaron anteriormente. Es posible que un gabinete que tenga (A) un reborde elevado y/o (B) un protector contra salpicaduras no tenga suficiente superficie plana para realizar una instalación adecuada. Note que el gabinete necesita tener una superficie plana de 6,03 cm (2-3/8") en detrás de la estufa, y que se requiere una distancia 4,45 cm (1-3/4") entre el borde posterior de la estufa y el interior de la parte posterior del gabinete.



TOME MEDIDAS (CONTINUACIÓN)

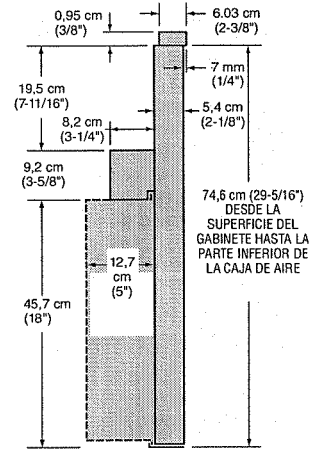
Instalación del ventilador interior

VISTA LATERAL DEL TIRO DESCENDENTE



Instalación del ventilador exterior

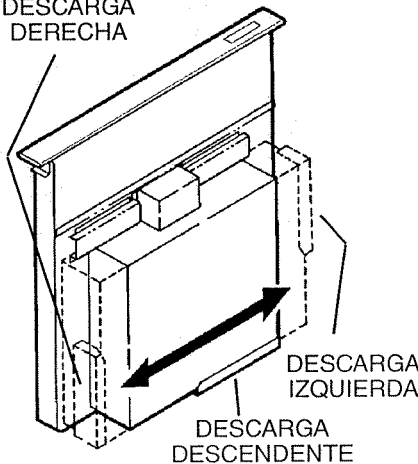
VISTA LATERAL DEL TIRO DESCENDENTE



PLANEE EL SISTEMA DE CONDUCTOS

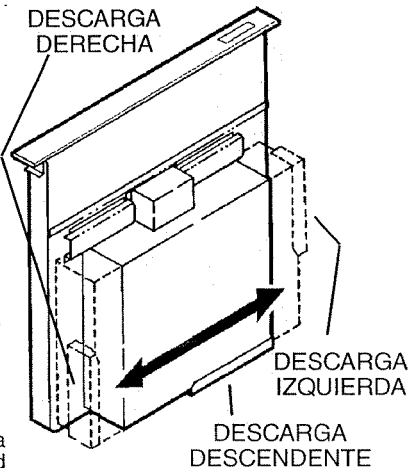
Instalación del ventilador interior

- El sistema de ventilación **DESCARGA DERECHA** de tiro descendente interior está diseñado para usarse con conductos de 8,3 cm x 25,4 cm (3¼" x 10") (puede hacerse una transición a un conducto redondo de 15,3 cm (6")). Están disponibles tres direcciones diferentes de descarga con ajuste de lado a lado para la alineación adecuada del sistema de conductos.
- Para obtener el mejor rendimiento: Seleccione el sistema de conductos de la longitud más corta y un número mínimo de codos y transiciones. Revise el área de la instalación para asegurarse de que no haya interferencia de vigas del piso, montantes de la pared, cableado eléctrico o tuberías.



Instalación del ventilador exterior

- El sistema de ventilación de tiro descendente exterior está diseñado para usarse con conductos de 8,3 cm x 35,6 cm (3¼" x 14") rectangular (puede hacerse una transición a un conducto redondo de 20,3 cm o 24,5 cm (8" o 10")). Están disponibles tres direcciones diferentes de descarga con ajuste de lado a lado para la alineación adecuada del sistema de conductos.
- Para obtener el mejor rendimiento: Seleccione el sistema de conductos de la longitud más corta y un número mínimo de codos y transiciones. Revise el área de la instalación para asegurarse de que no haya interferencia de vigas del piso, montantes de la pared, cableado eléctrico o tuberías.
- El sistema funcionará de manera más eficiente cuando los con-



<p>CODO REDONDO DE 15,3 cm (6")</p> <p>EQUIVALE A 2,4 m (8 PIES) DE CONDUCTO RECTO</p>	<p>TRANSICIÓN REDONDA DE 8,3cm x 25,4cm (3¼" x 10") A 6"</p> <p>EQUIVALE A 0,61 m (2 PIES) DE CONDUCTO RECTO</p>	<p>CODO DE 90° DE 8,3 cm x 25,4 cm (3¼" x 10")</p> <p>EQUIVALE A 4,3 m (14 PIES) DE CONDUCTO RECTO</p>
---	---	---

<p>CODO REDONDO DE 20,3 cm (8")</p> <p>EQUIVALE A 3,4 m (11 PIES) DE CONDUCTO RECTO</p>	<p>TRANSICIÓN REDONDA DE 8,3 cm x 35,6 cm (3¼" x 14") A 20,3 cm (8")</p> <p>EQUIVALE A 1,5 m (5 PIES) DE CONDUCTO RECTO</p>	<p>CODO DE 90° DE 8,3 cm x 35,6 cm (3¼" x 14")</p> <p>EQUIVALE A 5,8 m (19 PIES) DE CONDUCTO RECTO</p>
--	--	---

3. El sistema funcionará de manera más eficiente cuando los conductos no excedan el equivalente a 12,2 m (40 pies) de longitud. La tabla de arriba muestra la longitud equivalente en pies de codos y transiciones. El número de pies de conducto recto más la longitud equivalente en pies de transiciones y/o codos que se use debe ser de 12,2 m (40 pies) o menos.

NOTA: Se ha tomado en consideración la longitud equivalente en pies de varias tapas de techo y pared. No las incluya en este cálculo.

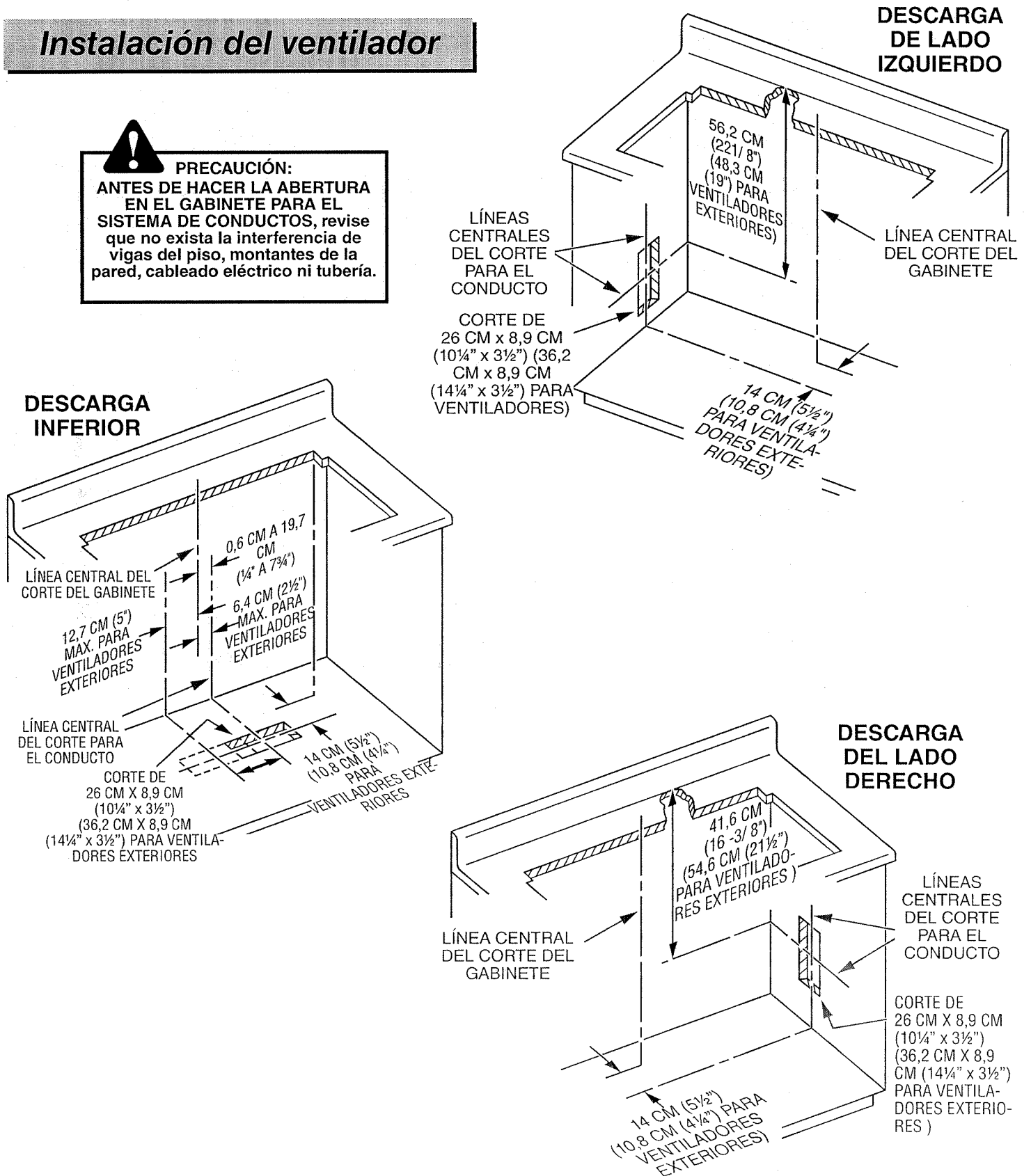
ductos no excedan el equivalente a 12,2 m (40 pies) de longitud. La tabla de arriba muestra la longitud equivalente en pies de codos y transiciones. El número de pies de conducto recto más la longitud equivalente en pies de transiciones y/o codos que se use debe ser de 12,2 m (40 pies) o menos.

NOTA: Se ha tomado en consideración la longitud equivalente en pies de varias tapas de techo y pared. No las incluya en este cálculo.

PLANEE LAS ABERTURAS DEL GABINETE

Instalación del ventilador

PRECAUCIÓN:
ANTES DE HACER LA ABERTURA EN EL GABINETE PARA EL SISTEMA DE CONDUCTOS, revise que no exista la interferencia de vigas del piso, montantes de la pared, cableado eléctrico ni tubería.



PLANEE EL CABLEADO ELÉCTRICO

Instalación del ventilador interior

1. El sistema de ventilación de tiro descendente interior requiere 4 AMPERIOS y un circuito de 120 VCA y 60 Hz.
2. La unidad tiene un cordón eléctrico de 45,7 cm (18") con una clavija de tres patas. Planee colocar un tomacorriente con conexión a tierra en un lugar que el cordón eléctrico de la unidad pueda alcanzar.

IMPORTANTE: UBICACIÓN DEL TOMACORRIENTE ELÉCTRICO:

Si el modelo RMDD3004 se va a instalar en un gabinete de 76,2 cm (30") de ancho...cabinet...

o el modelo RMDD3604 se va a instalar en un gabinete de 91,4 cm (36") de ancho...

o el modelo RMDD4804 se va a instalar en un gabinete de 122 cm (48") de ancho...

...el tomacorriente no se puede instalar en la pared posterior del gabinete.

En estos casos, la anchura del tiro descendente cubre casi la totalidad de la anchura de la pared posterior del gabinete. Debe hacer cualquiera de lo siguiente:

- montar la caja eléctrica en una pared lateral o en el piso del gabinete - a una distancia mínima de 30 cm (12") de la pared posterior.
- montar la caja eléctrica al montante de la pared que está detrás del gabinete, en donde no quedará cubierto por el tiro descendente. Luego proporcione un orificio de separación en la pared posterior del gabinete.

Instalación del ventilador exterior

1. El sistema de ventilación de tiro descendente exterior o en línea requiere 6 AMPERIOS y un circuito de 120 VCA y 60 Hz.
2. La unidad tiene un cordón eléctrico de 45,7 cm (18") con una clavija de tres patas. Planee colocar un tomacorriente con conexión a tierra en un lugar que el cordón eléctrico de la unidad pueda alcanzar.

IMPORTANTE: UBICACIÓN DEL TOMACORRIENTE ELÉCTRICO:

Si el modelo RMDD3004EX se va a instalar en un gabinete de 76,2 cm (30") de ancho...cabinet...

o el modelo RMDD3604EX se va a instalar en un gabinete de 91,4 cm (36") de ancho...

o el modelo RMDD4804EX se va a instalar en un gabinete de 122 cm (48") de ancho...

...el tomacorriente no se puede instalar en la pared posterior del gabinete.

En estos casos, la anchura del tiro descendente cubre casi la totalidad de la anchura de la pared posterior del gabinete. Debe hacer cualquiera de lo siguiente:

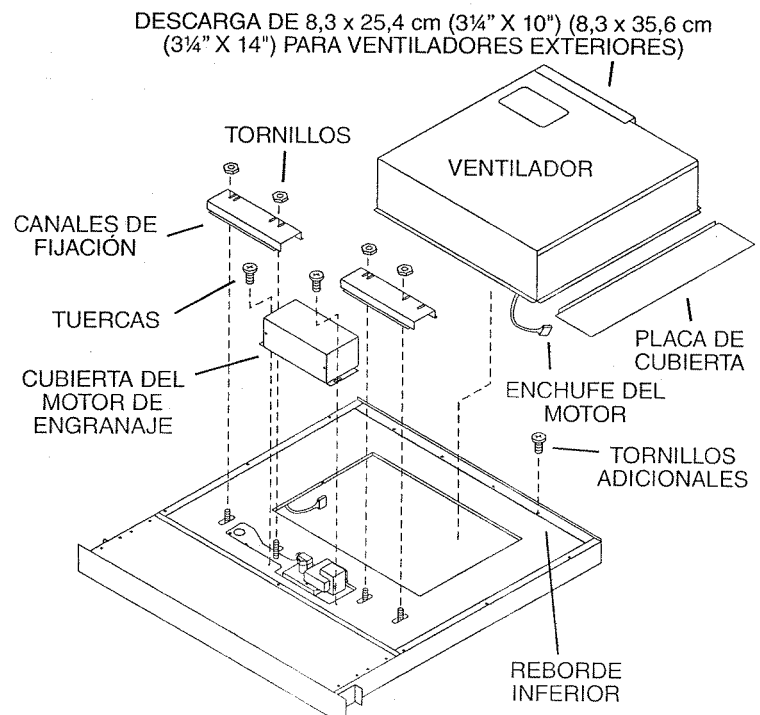
- montar la caja eléctrica en una pared lateral o en el piso del gabinete - a una distancia mínima de 30 cm (12") de la pared posterior.
- montar la caja eléctrica al montante de la pared que está detrás del gabinete, en donde no quedará cubierto por el tiro descendente. Luego proporcione un orificio de separación en la pared posterior del gabinete.

PREPARE EL TIRO DESCENDENTE

Instalación de la conexión del conducto (todos los ventiladores)

El tiro descendente se envía con el conector del conducto orientado hacia el fondo de la unidad. Si desea cambiar esta orientación siga los pasos que se indican a continuación:

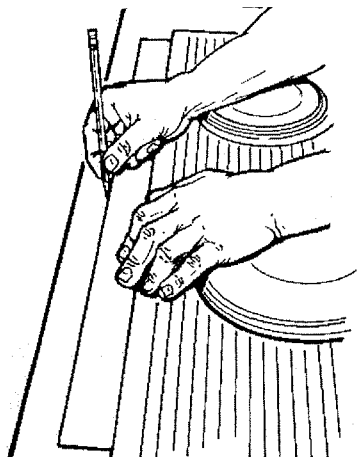
1. Coloque el tiro descendente sobre su parte posterior sobre una mesa o una superficie de trabajo plana.
2. Quite las 4 tuercas y los 2 canales de sujeción.
3. Quite 2 tornillos y la cubierta del motor de engranaje.
4. Cuidadosamente coloque el ventilador debajo del reborde inferior del tiro descendente con la descarga de 8,3 x 25,4 cm (3/4" x 10") (8,3 x 35,6 cm (3/4" x 14") para ventiladores exteriores) orientada hacia la dirección deseada.
5. Conecte el enchufe del motor.
6. Vuelva a colocar la cubierta del motor de engranaje y los 2 tornillos autorroscantes.
7. Vuelva a colocar los 2 canales de sujeción y apriete ligeramente las 4 tuercas, no las apriete totalmente.
8. Deslice el ventilador a la izquierda o a la derecha hasta la posición deseada. Use la placa de cubierta (suministrada) para cerrar cualquier espacio abierto.
9. Apriete las 4 tuercas para fijar la parte superior del ventilador. Coloque tornillos adicionales (se suministran) a través del reborde inferior para fijar la parte inferior en el ventilador.



HAGA LA ABERTURA DE LA SUPERFICIE DEL GABINETE

Todas las unidades

1. Trace y haga el corte para la estufa lo suficientemente HACIA DELANTE como para que el tiro descendente quepa detrás de la estufa.
2. Coloque la estufa en su lugar y deslícela tan adelante como sea posible. Céntrela y escuádrela con los bordes de la superficie del gabinete.

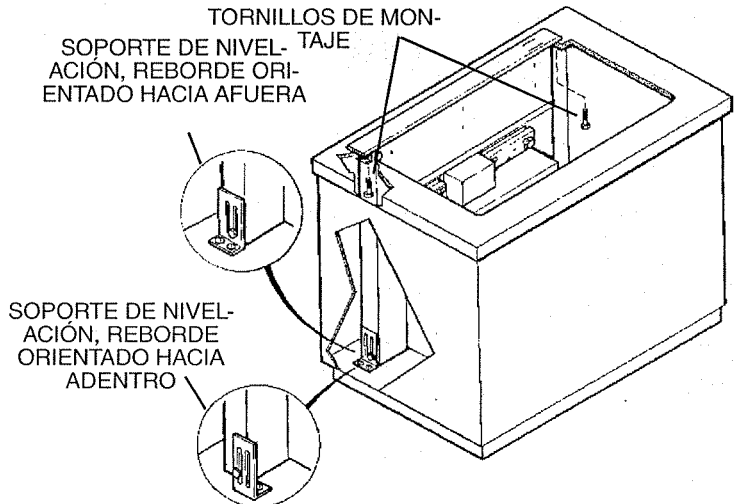


3. Coloque la plantilla de plástico contra el reborde posterior de la estufa y céntrela. Trace alrededor de la plantilla para marcar la abertura del tiro descendente.
4. Quite la estufa de la superficie del gabinete.
5. Haga la abertura del tiro descendente. Tenga cuidado de no astillar los bordes de la superficie del gabinete.

MONTE LA UNIDAD

Todas las unidades

1. Coloque el tiro descendente en la abertura. Extienda los **soportes de nivelación** al piso del gabinete para que el tiro descendente quede recto. (Nota: Los soportes de nivelación se pueden quitar y volver a poner en otra posición. Es posible que el reborde inferior deba quedar orientado hacia el interior en instalaciones muy ajustadas en los gabinetes.)
2. Fije el tiro descendente en la superficie del gabinete de la siguiente manera: Sujete el tiro descendente contra la parte posterior de la abertura de la superficie del gabinete y apriete los dos **tornillos de montaje** (uno en cada extremo de la unidad) en la parte interna de la superficie del gabinete. Coloque una cuña de madera entre el tornillo y la parte interior de superficies de gabinete de granito.
3. Atornille los **soportes de nivelación** en la parte inferior del gabinete. Apriete los tornillos que fijan los soportes de nivelación a la unidad en cada lado.



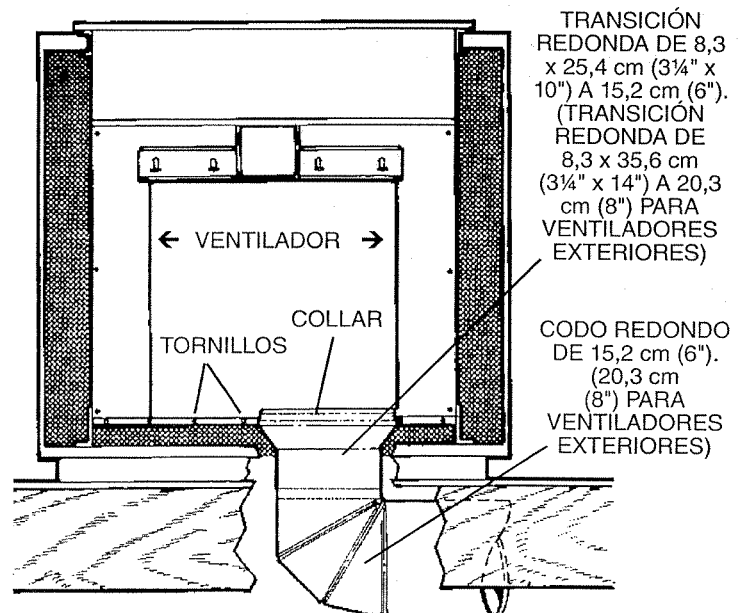
INSTALE EL SISTEMA DE CONDUCTOS

Instalación del ventilador

PRECAUCIÓN:
ANTES DE HACER LA ABERTURA EN EL GABINETE PARA EL SISTEMA DE CONDUCTOS, revise que no exista la interferencia de vigas del piso, montantes de la pared, cableado eléctrico ni tubería.

1. Haga el orificio en el gabinete así como los orificios en la pared o el piso según sea necesario.
2. Monte la tapa de techo o de pared y trabaje hacia atrás, hacia el gabinete, conectando todos los **conductos, codos y transiciones** como se planeó previamente. Encinte todas las conexiones de los conductos para fijarlas y hacerlas herméticas al aire.
3. Conecte el **sistema de conductos** (y las transiciones, si se requieren) al tiro descendente. Si es necesario, **AFLOJE** las tuercas y los **tornillos** que fijan el ventilador en su lugar, y deslice el **ventilador** hacia la izquierda o hacia la derecha para que se una con los conductos. Vuelva a apretar los tornillos y las tuercas.

Nota: Se proporciona un collar de 8,3 x 25,4 cm (3¼" x 10") (un collar de 8,3 x 35,6 cm (3¼" x 14") para ventiladores exteriores) para los instaladores que prefieran remachar los conductos a la unidad. Esto permitirá que el ventilador se quite y reemplace fácilmente en situaciones de servicio sin alterar el sistema de conductos.



INSTALE EL CABLEADO ELÉCTRICO

Instalación del ventilador interior



PRECAUCIÓN: Una o más personas calificadas deben realizar el trabajo de cableado eléctrico, de acuerdo con todos los códigos y normas correspondientes.

1. Monte una caja de cableado estándar, con un receptáculo para tres patas, dentro del gabinete. Asegúrese de que esté al alcance del cordón eléctrico.
2. Tienda el cable eléctrico apropiado en el gabinete y conéctelo en el receptáculo.
3. Conecte el cordón eléctrico del tiro descendente en el tomacorriente. Asegúrese de que el cordón eléctrico esté tendido lejos del calor generado por la estufa.

Instalación del ventilador exterior



PRECAUCIÓN: Una o más personas calificadas deben realizar el trabajo de cableado eléctrico, de acuerdo con todos los códigos y normas correspondientes.

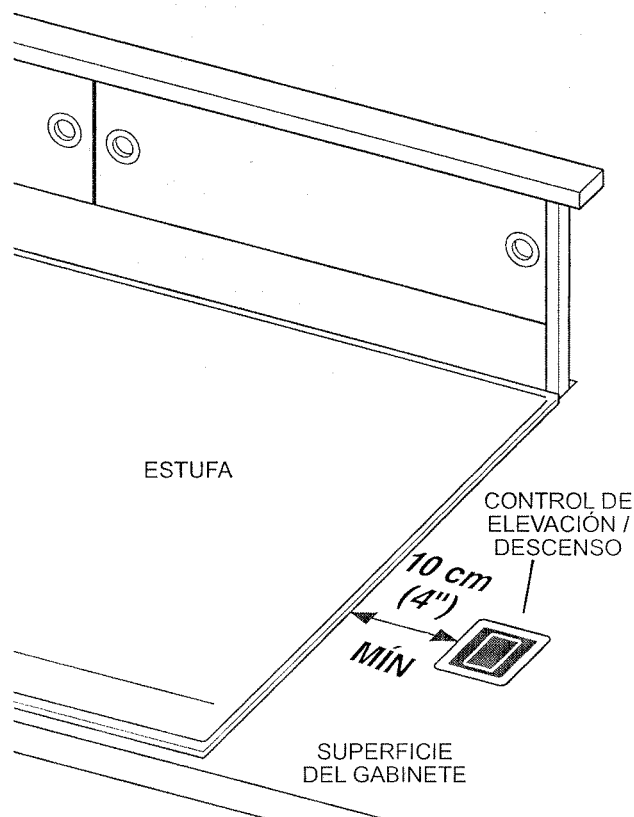
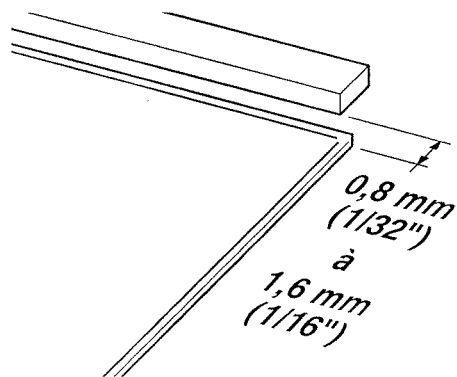
1. Monte una caja de cableado estándar, con un receptáculo para tres patas conectado a tierra, dentro del gabinete. Asegúrese de que esté al alcance del cordón eléctrico de la unidad.
2. Tienda el cable eléctrico apropiado en el gabinete y conéctelo en la caja eléctrica y en el receptáculo.
3. La capacidad nominal del ventilador exterior **no puede exceder o en línea 6.0 amperios**.
4. Tienda un cable eléctrico de dos hilos y conexión a tierra desde el ventilador exterior o en línea hasta la caja de cableado en una placa adaptadora. Quite la cubierta de la caja del cableado.
5. Conecte el colector de cables al cable eléctrico desde el ventilador exterior o en línea. Conecte negro con negro, blanco con blanco y verde con verde o con el hilo desnudo.
6. Vuelva a colocar la cubierta de la caja.
7. Conecte el cordón eléctrico del tiro descendente en el tomacorriente. Asegúrese de que el cordón eléctrico esté tendido lejos del calor generado por la estufa.

INSTALE LA ESTUFA

Todas las unidades

1. Alinee la estufa con el tiro descendente y fije la estufa en su lugar.

Nota: Es necesario alinear exactamente la estufa y el tiro descendente para asegurarse de que no haya interferencia cuando el sistema de ventilación se eleve o baje. Debe haber una distancia de 1 a 2 mm (1/32" a 1/16") entre la parte posterior de la estufa y la parte frontal de la cubierta del tiro descendente.



Nota:

El control de ascenso/descenso del tiro descendente debe montarse en la superficie del gabinete, a una distancia mínima de 10 cm (4") de la estufa.

INSTALACIÓN DEL CONTROL REMOTO DE ASCENSO/DESCENSO (OPCIONAL)

Todas las unidades

Cuándo usar el control remoto de ASCENSO/DESCENSO

El control remoto de ASCENSO/DESCENSO se debe usar cuando la estufa tiene un quemador que está a una distancia de 4 pulgadas o menos del botón de ASCENSO/DESCENSO de la chimenea del tiro descendente.

El control remoto de ASCENSO/DESCENSO se puede usar para el ASCENSO/DESCENSO conveniente de la chimenea del tiro descendente (aún cuando un quemador esté a una distancia mayor de 4 pulgadas del botón de ASCENSO/DESCENSO de la chimenea del tiro descendente).

Cómo usar el control remoto de ASCENSO/DESCENSO

No coloque el control remoto en un lugar en el que interfiera con sus actividades en la estufa, en donde se vayan a colocar cacerolas calientes, ni en donde se puedan derramar líquidos calientes sobre el control.

El control remoto de ASCENSO/DESCENSO desactiva la función de ASCENSO/DESCENSO del botón de ASCENSO/DESCENSO de la chimenea del tiro descendente.

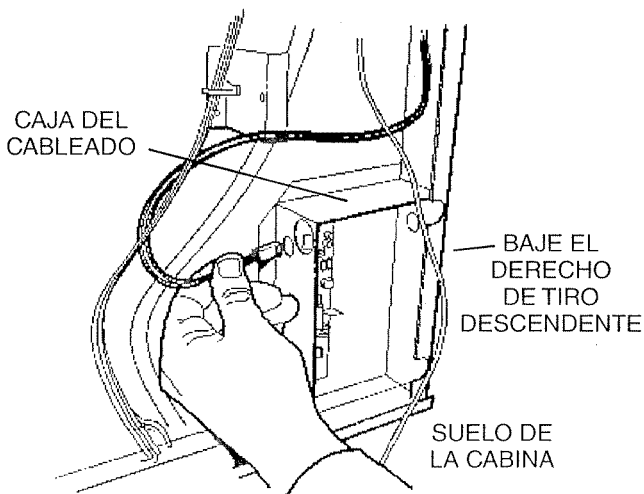
Instalación

1. Usando la plantilla que aparece a la derecha, trace el patrón de tres orificios en el gabinete. Marque el centro de los tres orificios que se van a hacer.
2. Cuidadosamente haga con un taladro los tres orificios en la superficie del gabinete. Tenga cuidado de no dañar ni astillar la superficie del gabinete cuando haga los orificios.
3. Saque el control de la bolsa de plástico. Alinee el control con los tres orificios y colóquelo de manera que quede paralelo con la parte frontal de la superficie del gabinete.
4. Saque las dos tuercas de mariposa de nilón de la bolsa de plástico y enrósquelas en los dos pernos del control desde debajo del gabinete. **Apretar las tuercas sólo con los dedos.**

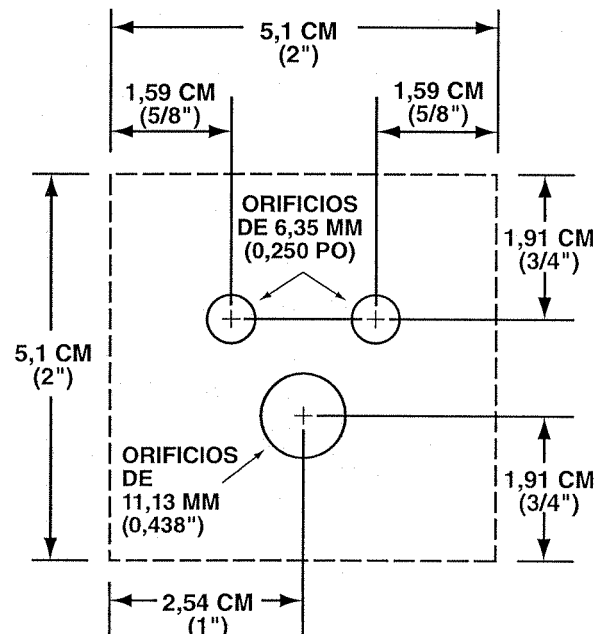


ADVERTENCIA: Para reducir el riesgo de quemaduras o de que se incendie la ropa al tratar de atravesarse sobre los quemadores, el control remoto se debe montar a una distancia mínima de 10 cm (4") de cualquier quemador de la estufa.

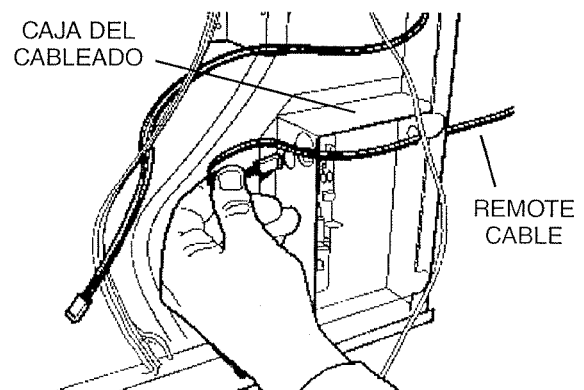
5. Quite el soplador, canales de la abrazadera, y cubierta del motor con engranajes de tiro descendente (vea "Prepare el Tiro Descendente" en la página 18). Quite el panel grande para exponer el cableado de tiro descendente.



6. En más baja derecha la esquina de tiro descendente, desconchefe el cable del lado izquierdo de la caja del cableado.



RECORTE SOBRE LA LÍNEA PUNTEADA



7. Quite el cable alejado del bolsa plástico y tápele en el parte posterior del control debajo del corte del gabinete. Suministre el cable a través el gabinete a baje el derecho de tiro descendente y a través de los agujeros de separación en el lado de tiro descendente y caja de cableado. Tape el cable en el enchufe de la tarjeta de circuito, según lo mostrado.
8. Rellene cable exceso apartado, asegure el cable tan no se dañe por artículos salvados en el gabinete, y otra vez ensamble tiro descendente.

USO Y CUIDADO

Todas las unidades



ADVERTENCIA: Siempre desconecte el suministro eléctrico antes de limpiar y/o dar servicio a la unidad.

Siempre encienda el ventilador del tiro descendente antes de comenzar a cocinar para establecer un flujo de aire en la cocina. Después de apagar la estufa, deje que el ventilador funcione durante unos minutos para limpiar el aire de la cocina. Así mantendrá toda la cocina más limpia y brillante. El conmutador de activación se presiona y el sistema de ventilación se eleva.

PARTE POSTERIOR DE LA PLANTILLA DEL CONMUTADOR REMOTO

Limpieza

Use un detergente suave adecuado para superficies pintadas. NO USE PAÑOS ABRASIVOS, ALMOHADILLAS DE LANA DE ACERO NI POLVOS ABRASIVOS. Limpie por aspiración. No sumerja el ventilador en agua.

Lave los dos filtros de aluminio/acero inoxidable, para grasa, en una solución suave de detergente o en el lavaplatos. Sáquelos del sistema de ventilación sujetando la lengüeta que se encuentra en la parte superior de cada filtro.

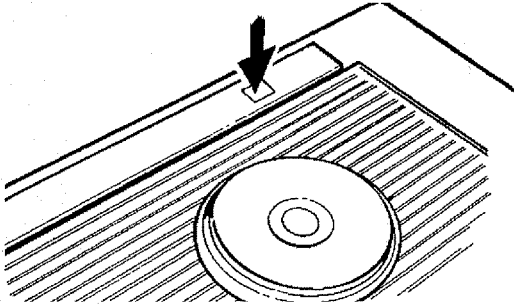
Servicio

Es posible que sea necesario quitar el sistema de ventilación de tiro descendente del gabinete para dar servicio a componentes tales como el motor del ventilador o el mecanismo del sistema de ventilación.

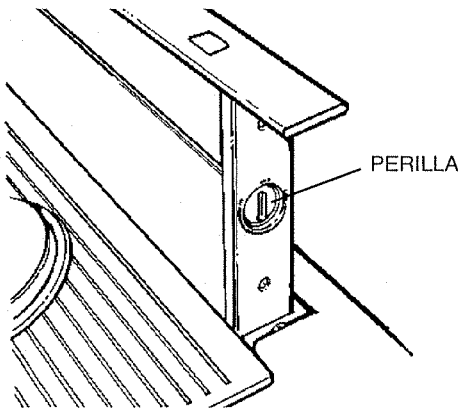
Desconecte el suministro eléctrico a la estufa y primero quítela. Invierta los pasos contenidos en la sección "MONTE LA UNIDAD" para quitar el tiro descendente del gabinete.

OPERACIÓN

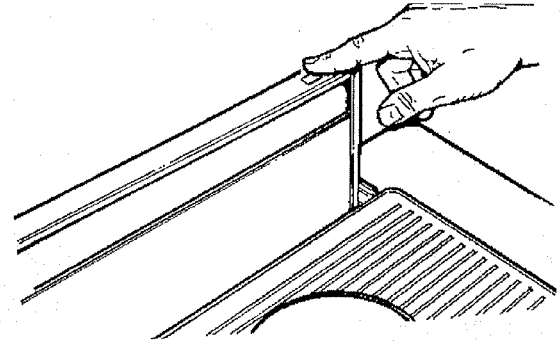
Todas las unidades



Gire encendido el tiro descendente presionando abajo en que el interruptor activa. La salida de aire se levantará.



El soplador se puede dar vuelta encendido or apagado y su velocidad puede ser ajustar con la perilla ahuecada en el derecho de la salida de aire.



Dé vuelta al soplador apagado presionando el interruptor que activa otra vez. La salida de aire irá abajo y el soplador apagará.

Nota: Para la mayoría de la operación conveniente, fije el soplador a su velocidad preferida. El soplador se adelantará a esta velocidad siempre que se presione el interruptor que activa y a las subidas de la salida de aire.

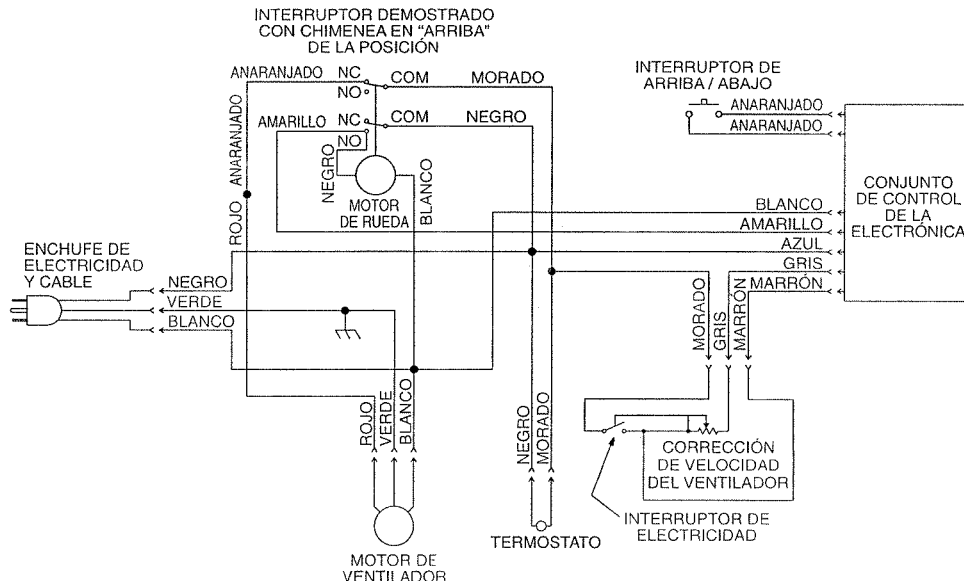
Centinela Del Calor

Cuando la chimenea es ascendente y el soplador está apagado (a cualquier velocidad) o encendido:

Si se convierte la temperatura de extractor más arriba que esperada, el modo del centinela del calor activará y aumentará la velocidad del soplador al colmo.

Bajar la chimenea dará vuelta al soplador apagado - incluso si el centinela del calor es activo.

DIAGRAMA DEL CABLEADO



GARANTIA

GARANTIA BROAN LIMITADA POR UN AÑO

Broan garantiza al consumidor comprador original de sus productos que dichos productos carecerán de defectos en materiales o en mano de obra por un período de un año a partir de la fecha original de compra. NO EXISTEN OTRAS GARANTIAS, EXPLICITAS O IMPLICITAS, INCLUYENDO, PERO NO LIMITADAS A, GARANTIAS IMPLICITAS DE COMERCIALIZACION O APTITUD PARA UN PROPOSITO PARTICULAR.

Durante el período de un año, y a su propio criterio, Broan reparará o reemplazará, sin costo alguno cualquier producto o pieza que se encuentre defectuosa bajo condiciones normales de servicio y uso.

ESTA GARANTIA NO SE APLICA A TUBOS Y ARRANCADORES DE LAMPARAS

FLUORESCENTES. Esta garantía no cubre (a) mantenimiento y servicio normales o (b) cualquier producto o piezas que hayan sido utilizadas de forma errónea, negligente, que hayan causado un accidente, o que hayan sido reparadas o mantenidas inapropiadamente (por otras compañías que no sean Broan), instalación defectuosa, o instalación contraria a las instrucciones de instalación recomendadas.

La duración de cualquier garantía implícita se limita a un período de un año como se especifica en la garantía expresa. Algunos estados no permiten limitaciones en cuanto al tiempo de expiración de una garantía implícita, por lo que la limitación antes mencionada puede no aplicarse a usted.

LA OBLIGACION DE BROAN DE REPARAR O REEMPLAZAR, SIGUIENDO EL CRITERIO DE BROAN, DEBERA SER EL UNICO Y EXCLUSIVO RECURSO LEGAL DEL COMPRADOR BAJO ESTA GARANTIA. BROAN NO SERA RESPONSABLE POR DAÑOS INCIDENTALES, CONSIGUIENTES, O POR DAÑOS ESPECIALES QUE SURJAN A RAIZ DEL USO O DESEMPEÑO DEL PRODUCTO. Algunos estados no permiten la exclusión o limitación de daños incidentales o consiguientes, por lo que la limitación antes mencionada puede no aplicarse a usted.

Esta garantía le proporciona derechos legales específicos, y usted puede también tener otros derechos, los cuales varían de estado a estado. Esta garantía reemplaza todas las garantías anteriores.

Para calificar en la garantía de servicio, usted debe (a) notificar a Broan al domicilio o al número de teléfono abajo, (b) dar el número del modelo y la identificación de la pieza, y (c) describir la naturaleza de cualquier defecto en el producto o pieza. En el momento de solicitar servicio cubierto por la garantía, usted debe de presentar evidencia de la fecha original de compra.

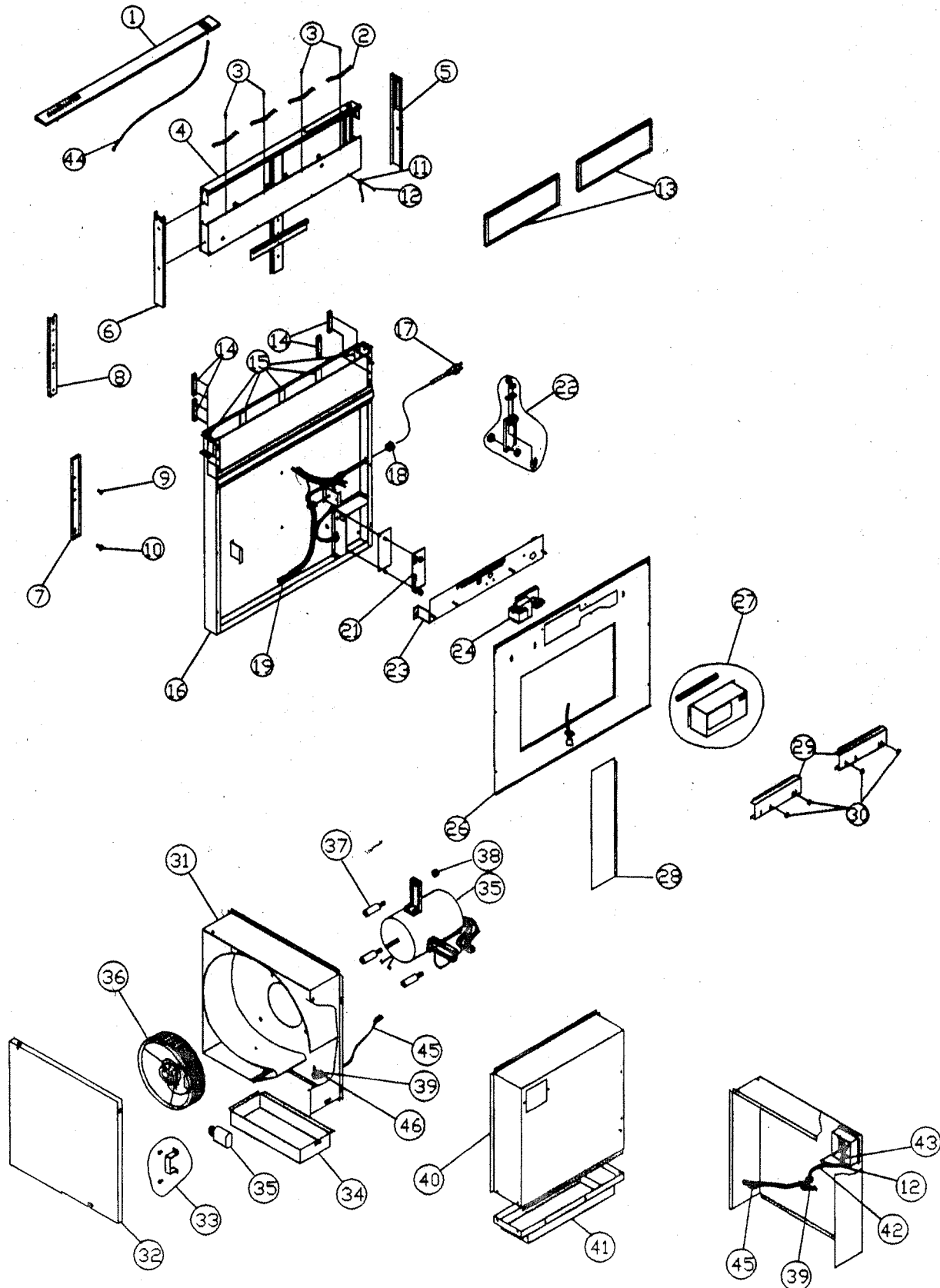
Broan-NuTone LLC Hartford, Wisconsin
www.broan.com 800-558-1711

Las piezas de recambio se pueden
ahora pedir en nuestro Web site.
Visítenos por favor en
www.Broan.com

PIEZAS DE SERVICIO

CLAVE NO.	76,2 cm (30") DE ANCHO	91,4 cm (36") DE ANCHO	122 cm (48") DE ANCHO	DESCRIPCIÓN
1	97018397	97018398	97018399	CUBIERTA SUPERIOR
2	99140195	99140195	99140195	RESORTE DEL FILTRO
3	99230345	99230345	99230345	REMACHE TUBULAR
4	97018526	97018527	97018528	CONJUNTO DE LA CHIMENEA
5	97015874	97015874	97015874	TAPA TERMINAL DERECHA
6	98009358	98009358	98009358	TAPA TERMINAL IZQUIERDA
7	97015973	97015973	97015973	CORREDERA MAQUINADA DE LA CHIMENEA
8	98010013	98010013	98010013	CORREDERA MAQUINADA DE LA CAJA DE VENTILACIÓN
9	99160421	99160421	99160421	TORNILLO RHM DE 8-32 x .375
10	99160419	99160419	99160419	TORNILLO PH FLHD DE 8-32 x .500
11	99271218	99271218	99271218	ALAMBRE DE CONEXION A TIERRA
12	99150471	99150471	99150471	TORNILLO TYP CA PH DE 10-32 x .500
13	97015841	97015842	97015843	FILTRO
14	99710032	99710032	99710032	SEPARADOR
15	99111184	99111184	99111184	TIRAS DE LA CORREDERA
16	97015974	97015975	97015976	ESTRUCTURA SOLDADA DE LA CAJA DE VENTILACIÓN
17	99271210	99271210	99271210	JUEGO DEL CORDÓN
18	99400060	99400060	99400060	CASQUILLO DE ALIVIO DE TENSION
19	99271295	99271295	99271295	COLECTOR DE CABLES
20	99271292	99271292	99271292	ENSEMBLAJE DE INTERRUPTOR
21	99271291	99271291	99271291	TABLERO DE CONTROL
22	97018525	97018525	97018525	CONJUNTO DE MANIVELA
23	97017023	97017023	97017023	SOPORTE DEL MOTOR DE ENGRANAJE
24	97017039	97017035	97017036	KIT DEL MOTOR DE ENGRANAJE DE LOS MODELOS DE VENTILADORES INTERNOS (INCLUYE CLAVE NOS. 23 Y 27 EN MODELOS DE 36" Y 48")
	97017059	97017037	97017038	KIT DEL MOTOR DE ENGRANAJE DE LOS MODELOS DE VENTILADORES EXTERNOS (INCLUYE CLAVE NOS. 23 Y 27 EN MODELOS DE 36" Y 48")
26	98010798	98010799	98010801	PARTE INFERIOR DE LA CAJA DE VENTILACION FRONTAL
27	97017045	97017041	97017042	CUBIERTA DEL MOTOR DE ENGRANAJE DE LOS MODELOS DE VENTILADORES INTERNOS
	97017046	97017043	97017044	CUBIERTA DEL MOTOR DE ENGRANAJE DE LOS MODELOS DE VENTILADORES EXTERNOS
28	98010802	98010803	98010803	CUBIERTA DE LA ABERTURA DE LA CAJA DE VENTILACION
29	98010804	98010804	98010824	ABRAZADERA DE LA CAJA DE VENTILACION
30	99260488	99260488	99260488	TUERCA WHIZ DE 10-24
31	97018476	97018476	97018476	CONJUNTO DE LA CAJA ESPIRAL
32	98010809	98010809	98010809	CUBIERTA DE LA CAJA ESPIRAL
33	98008157	98008157	98008157	ABRAZADERA DEL CAPACITOR
34	98010810	98010810	98010810	ESTRUCTURA SOLDADA DE LA CAJA ESPIRAL, EXT.
35	99080362	99080362	99080362	MOTOR CON CAPACITOR
36	99020247	99020247	99020247	RODETE DEL VENTILADOR
37	99100484	99100484	99100484	AISLADOR DE MONTAJE DEL MOTOR
38	99260477	99260477	99260477	TUERCA WHIZ DE 1/4-20
39	99030323	99030323	99030323	DETECTOR DE CALOR
40	97016974	97016974	97016974	PLACA ADAPTADORA
41	98010005	98010005	98010005	PLACA DE SALIDA
42	99271304	99271304	99271304	COLECTOR DE CABLES
43	99400042	99400042	99400042	CASQUILLO DE ALIVIO DE TENSION
44	99271296	99271296	99271296	COLECTOR DE BOTON ENCENDIDO / APAGADO
45	99271306	99271306	99271306	COLECTOR DE CABLES DEL DETECTOR DE CALOR
46	98010010	98010010	98010010	SOPORTE DEL MONTAJE DE DETECTOR DE CALOR

PIEZAS DE SERVICIO



MODÈLE	LARGEUR	VENTILATEUR
RMDD3004	76,2 cm (30")	interieur de 500 pcm
RMDD3604	91,4 cm (36")	interieur de 500 pcm
RMDD4804	122 cm (48")	interieur de 500 pcm
RMDD3004EX	76,2 cm (30")	exterieur, modèle 331H, 332H, 335, 336, HLB3, HLB6, HLB9, et HLB11 (achat séparément)
RMDD3604EX	91,4 cm (36")	exterieur, modèle 331H, 332H, 335, 336, HLB3, HLB6, HLB9, et HLB11 (achat séparément)
RMDD4804EX	122 cm (48")	exterieur, modèle 331H, 332H, 335, 336, HLB3, HLB6, HLB9, et HLB11 (achat séparément)



AVERTISSEMENT – Pour réduire les risques de brûlure ou que des vêtements s'enflamment en traversant les brûleurs, une hotte de modèle la télécommande **DOIT** être installée à au moins 10,2 cm (4") des brûleurs de la cuisinière. Consultez les instructions à la page 34 "INSTALLATION DE LA SURFACE DE CUISSON".

LIRE ET CONSERVER CES INSTRUCTIONS

AVERTISSEMENT



AFIN DE DIMINUER LES RISQUES D'INCENDIE, D'ÉLECTROCUTION OU DE BLESSURES, SUIVEZ CES DIRECTIVES:

- Utilisez ce produit en suivant les recommandations du fabricant. Pour toute question, contactez le fabricant à l'adresse ou au numéro de téléphone indiqués dans la garantie.
- Avant de réparer ou de nettoyer cette hotte, coupez le courant au panneau d'alimentation et verrouillez-en l'accès afin d'éviter que le courant ne soit accidentellement remis en fonction. S'il vous est impossible de le verrouiller, apposez un indicateur voyant sur le panneau comme, par exemple, une étiquette de couleur vive.
- L'installation de la hotte ainsi que le câblage électrique doivent être effectués par une ou des personnes compétentes selon les normes et les règles en vigueur, incluant celles qui régissent la prévention des incendies.
- Une circulation d'air efficace est requise afin d'assurer la combustion et l'évacuation complète des gaz par le tuyau d'évacuation (cheminée) des équipements à combustion et pour prévenir les retours d'air. Conformez-vous aux normes et mesures de sécurité pour les fabricants d'appareils de chauffage publiées par la "National Fire Protection Association (NFPA)" et par la "American Society for Heating, Refrigeration and Air Conditioning Engineers (ASHRAE)", ainsi qu'aux normes en vigueur dans votre région.
- Lorsque vous coupez ou percez un mur ou un plafond, prenez garde d'endommager les fils électriques ou autres installations qui pourraient y être dissimulés.
- Les installations ventilées doivent toujours être reliées à des conduits rejetant l'air à l'extérieur.
- Afin de diminuer les risques d'incendie, n'utilisez que des conduits de ventilation en métal.
- Ne pas installer ce produit en plaçant le commutateur directement derrière un brûleur ou un élément. La distance entre le commutateur et le bord du brûleur doit être au minimum de 10 cm (4").
- Ne pas porter de vêtements amples ou accrochants lors de l'utilisation de cet appareil. Ils pourraient s'enflammer au contact de l'un des brûleurs ou des éléments de la cuisinière.
- Ne jamais laisser un enfant seul ou sans surveillance à proximité de cet appareil lors de son utilisation.
- Ce ventilateur doit être relié à une mise à la terre.

AFIN DE DIMINUER LES RISQUES D'INCENDIE POUVANT SE DÉCLANCHER SUR LA SURFACE DE CUISSON:

- Ne jamais laisser sans surveillance des unités de surface réglées à feu vif. En plus de générer de la fumée, les débordements de graisse peuvent prendre feu. Chauffer les huiles lentement à feu doux ou moyen.
- Toujours mettre en marche la hotte durant la cuisson à feu vif ou la cuisson d'aliments à flamber.
- Nettoyer régulièrement les ventilateurs d'aération. On ne doit tolérer aucune accumulation de graisse sur le ventilateur ou sur le filtre.

NOTE: Modèle RMDDRKB Télécommande haut/bas vendu séparément.

INSTALLATEUR: Remettez ce manuel au propriétaire de maison et électrique inspecteur.

AVERTISSEMENT



- Utiliser une casserole de grosseur appropriée. Toujours utiliser une batterie de cuisine proportionnelle à l'élément de surface.

AFIN DE DIMINUER LES RISQUES DE BLESSURES POUVANT SURVENIR LORSQU'UN FEU SE DÉCLANCHE SUR LA SURFACE DE CUISSON, SUIVEZ CES DIRECTIVES:

- ÉTOUFFEZ LES FLAMMES avec un couvercle hermétique, une tôle à biscuits ou un plateau en métal puis éteignez la cuisinière. **PRENEZ GARDE AUX BRÛLURES.** Si vous ne parvenez pas à éteindre immédiatement les flammes, ÉVACUEZ LES LIEUX ET CONTACTEZ VOTRE POSTE LOCAL DE LUTTE CONTRE LES INCENDIES.
- NE VOUS EMPAREZ JAMAIS D'UN PLAT QUI S'EST ENFLAMMÉ – Vous risqueriez de vous brûler.
- N'UTILISEZ JAMAIS D'EAU, incluant les linges à vaisselles ou serviettes mouillées car cela peut provoquer une violente explosion de vapeur.
- Utilisez un extincteur SEULEMENT si:
 - Il s'agit d'un extincteur de classe ABC et que vous savez comment vous en servir.
 - Il s'agit d'un petit feu qui ne se propage pas ailleurs que sur la cuisinière.
 - Vous avez appelé votre poste local de lutte contre les incendies.
 - Vous pouvez combattre le feu tout en ayant accès à une sortie.

* Basé sur "Kitchen Fire Safety Tips" édité par NFPA.

ATTENTION



- Pour l'usage d'intérieur seulement.
- Pour ventilation générale seulement. Ne l'utilisez pas pour évacuer les vapeurs ou matériaux dangereux ou que peuvent exploser.
- Pour éviter d'endommager les coussinets du moteur et des turbines bruyantes et/ou mal équilibrées, assurez que l'unité motrice est exempte de poussière provenant des murs en pierres sèches et la construction.
- Nettoyer souvent les filtres et les surfaces graisseuses.
- Ne réparer ou remplacer que les pièces recommandées dans ce manuel. Toute autre réparation doit être confiée à un technicien qualifié.
- Veillez lire l'étiquette de spécifications sur le produit pour d'autres renseignements et exigences.
- Afin de diminuer les risques d'incendie et d'électrocution, installez ce ventilateur encastré seulement avec ventilateurs des modèles Broan montrés ci-dessous. D'autres modèles de ventilateurs ne peuvent pas être substitués. (Ventilateurs vendus séparément.)

Enregistrez votre produit en ligne à : www.fr.broan.ca/register

MODÈLE	LARGEUR	VENTILATEUR
RMDD3004	76,2 cm (30")	interieur de 500 pcm
RMDD3604	91,4 cm (36")	interieur de 500 pcm
RMDD4804	122 cm (48")	interieur de 500 pcm
RMDD3004EX	76,2 cm (30")	exterieur, modèle 331H, 332H, 335, 336, HLB3, HLB6, HLB9, et HLB11 (achat séparément)
RMDD3604EX	91,4 cm (36")	exterieur, modèle 331H, 332H, 335, 336, HLB3, HLB6, HLB9, et HLB11 (achat séparément)
RMDD4804EX	122 cm (48")	exterieur, modèle 331H, 332H, 335, 336, HLB3, HLB6, HLB9, et HLB11 (achat séparément)

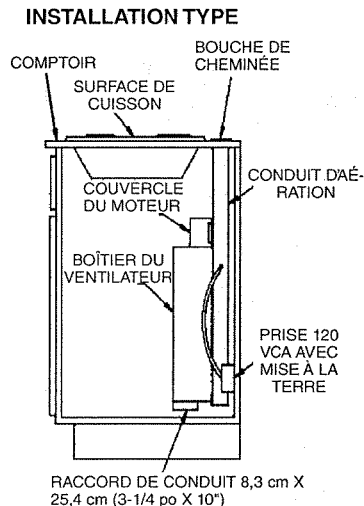
PRÉPARATION

Installation du ventilateur intérieur

Ce ventilateur encastré est conçu pour évacuer les contaminants de l'air lors de l'utilisation d'une surface de cuisson au gaz ou électrique. Il peut être installé dans un îlot, une péninsule ou un comptoir conventionnel appuyé contre un mur.

Pour l'installation, procédez simplement comme suit :

- Découpez l'ouverture dans le comptoir.
- Installez l'appareil dans l'armoire.
- Raccordez les conduits et effectuez les connexions électriques.
- Installez la surface de cuisson.



SPÉCIFICATIONS ÉLECTRIQUES
120 VCA • 60 Hz • 4,0 A

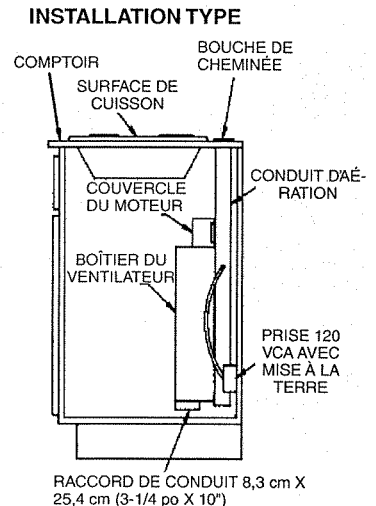
Remarque : Le débit d'air élevé de cet appareil peut affecter la flamme de certaines surfaces de cuisson au gaz. Cet effet est NORMAL et inoffensif, mais il peut être corrigé en réduisant la vitesse de la soufflerie.

Installation du ventilateur extérieur

Ce ventilateur encastré est conçu pour évacuer les contaminants de l'air lors de l'utilisation d'une surface de cuisson au gaz ou électrique. Il peut être installé dans un îlot, une péninsule ou un comptoir conventionnel appuyé contre un mur.

Pour l'installation, procédez simplement comme suit :

- Découpez l'ouverture dans le comptoir.
- Installez l'appareil dans l'armoire.
- Installez Ventilateur Extérieur Modèle 331H, 332H, 335, 336, HLB3, HLB6, HLB9, ou HLB11
- Raccordez les conduits et effectuez les connexions électriques.
- Installez la surface de cuisson.



SPÉCIFICATIONS ÉLECTRIQUES
120 VCA • 60 Hz • 6,0 A (max.)

Remarque : Le débit d'air élevé de cet appareil peut affecter la flamme de certaines surfaces de cuisson au gaz. Cet effet est NORMAL et inoffensif, mais il peut être corrigé en réduisant la vitesse de la soufflerie.

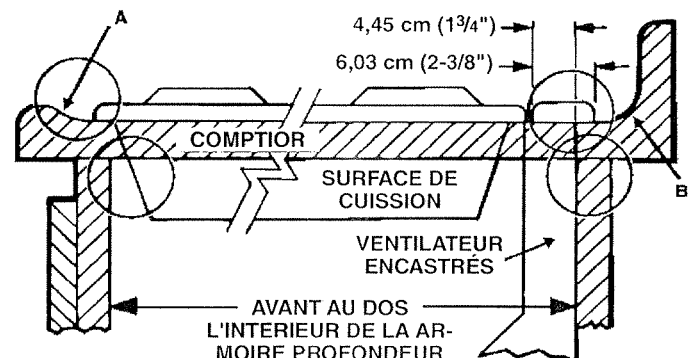
PRISE DES MESURES

Tous les appareils

1. Consultez les instructions d'installation pour connaître les dimensions de la surface de cuisson, du découpage à effectuer dans le comptoir et les exigences pour l'armoire. Le modèle RMDD3004 & RMDD3004EX s'insèrent dans la plupart des armoires de 76,2 cm (30") de largeur, le modèle RMDD3604 & RMDD3604EX dans la plupart des armoires de 91,4 cm (36") de largeur, et le modèle RMDD4804 & RMDD4804EX dans la plupart des armoires de 122 cm (48") de largeur. Il est cependant recommandé d'utiliser des armoires plus grandes pour faciliter l'installation.

2. La profondeur des surfaces de cuisson peut varier beaucoup d'un modèle à l'autre. Il est possible que l'installation des deux appareils soit particulièrement serrée.

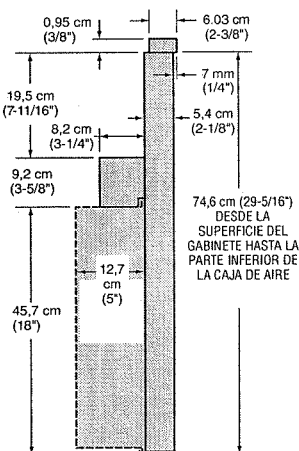
Faites particulièrement attention aux points encadrés ci-contre pouvant nuire éventuellement. Un comptoir à rebord surélevé (A) ou à dossier arrondi (B) risque de ne pas offrir une surface plate suffisamment grande pour permettre une installation adéquate. Une surface plate de 6,03 cm (2-3/8") est nécessaire derrière la plaque de cuisson et une distance de 4,45 cm (1-3/4") est requise entre l'arrière de la plaque de cuisson et le fond de l'armoire.



PRISE DES MESURES (SUITE)

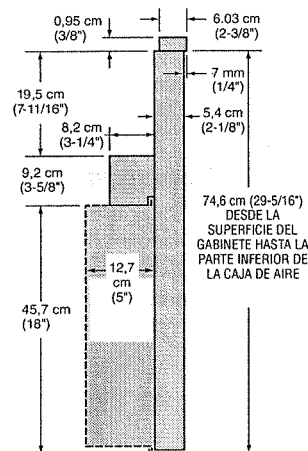
Installation du ventilateur intérieur

VUE DE CÔTÉ
DE LA HOTTE



Installation du ventilateur extérieur

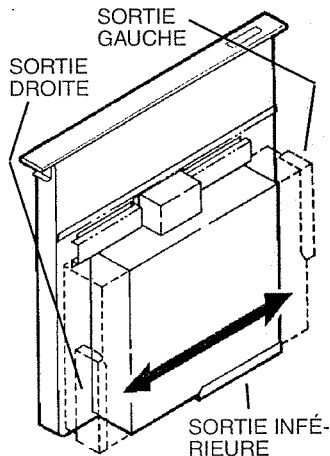
VUE DE CÔTÉ
DE LA HOTTE



PRÉPARATION DES CONDUITS

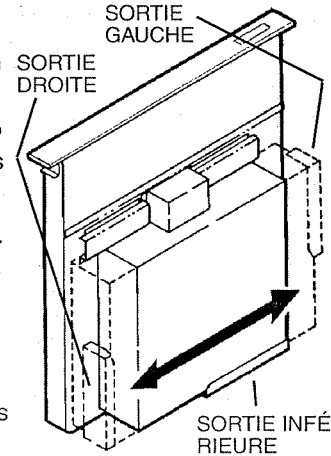
Installation du ventilateur intérieur

1. Le ventilateur encastré intérieur est conçu pour des conduits de 8,3 cm x 25,4 cm (3-1/4" x 10") (ou transformés en conduits ronds de 15,3 cm/6"). Il existe trois directions possibles pour la sortie avec un ajustement latéral pour un parfait alignement du conduit.
2. Pour un rendement optimal : Choisissez pour les conduits le trajet le plus court possible avec un minimum de coudes et de transitions. Assurez-vous que les solives du plancher, les montants des murs, les câbles électriques et les tuyaux de nuisent pas.
3. L'évacuation est plus efficace lorsque les conduits ne dépassent pas 12,2 m (40 pi) de longueur ou l'équivalent. L'illustration ci-dessus indique l'équivalent en longueur d'un coude rond de 25,4 cm (10"). La longueur des conduits droits plus l'équivalent pour les coudes ne doit pas excéder 12,2 m (40 pi).



Installation du ventilateur extérieur

1. Le ventilateur encastré extérieur est conçu pour des conduits de 8,3 cm x 35,6 cm (3-1/4" x 14" rectangulaire) ou transformés en conduits ronds de 20,3 cm x 25,4 cm (8" x 10"). Il existe trois directions possibles pour la sortie avec un ajustement latéral pour un parfait alignement du conduit.
2. Pour un rendement optimal : Choisissez pour les conduits le trajet le plus court possible avec un minimum de coudes et de transitions. Assurez-vous que les solives du plancher, les montants des murs, les câbles électriques et les tuyaux de nuisent pas.
3. L'évacuation est plus efficace lorsque les conduits ne dépassent pas 12,2 m (40 pi) de longueur ou l'équivalent. L'illustration ci-dessus indique l'équivalent en longueur d'un coude rond de 25,4 cm (10"). La longueur des conduits droits plus l'équivalent pour les coudes ne doit pas excéder 12,2 m (40 pi).



<p>COUDE DE 15,3 cm (6") ROND.</p> <p>ÉGALE UN CONDUIT DROIT DE 2,4 m (8 PI)</p>	<p>TRANSITION DE 8,3 cm X 25,4 cm (3-1/4 po X 10") À 15,3 cm (6") ROND.</p> <p>ÉGALE UN CONDUIT DROIT DE 0,61 m (2 PI)</p>	<p>COUDE À 90° DE 8,3 cm X 25,4 cm (3-1/4" X 10")</p> <p>ÉGALE UN CONDUIT DROIT DE 4,3 m (14 PI)</p>
--	--	--

<p>COUDE DE 20,3 cm (8") ROND.</p> <p>ÉGALE UN CONDUIT DROIT DE 3,4 m (11 PI)</p>	<p>TRANSITION DE 8,3 cm x 35,6 cm (3-1/4 po x 14") À 20,3 cm (8") ROND.</p> <p>ÉGALE UN CONDUIT DROIT DE 1,5 m (5 PI)</p>	<p>COUDE À 90° DE 8,3 cm X 35,6 cm (3-1/4" X 14")</p> <p>ÉGALE UN CONDUIT DROIT DE 5,8 m (19 PI)</p>
---	---	--

REMARQUE : L'équivalent en longueur pour les chapeaux de toit et de mur a été pris en considération. Ne pas inclure ces éléments dans votre calcul.

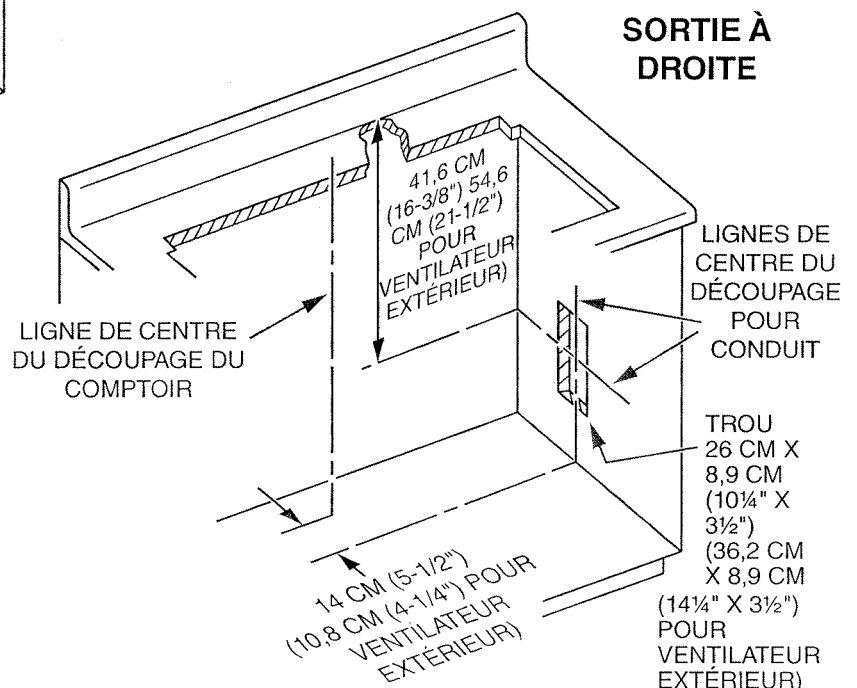
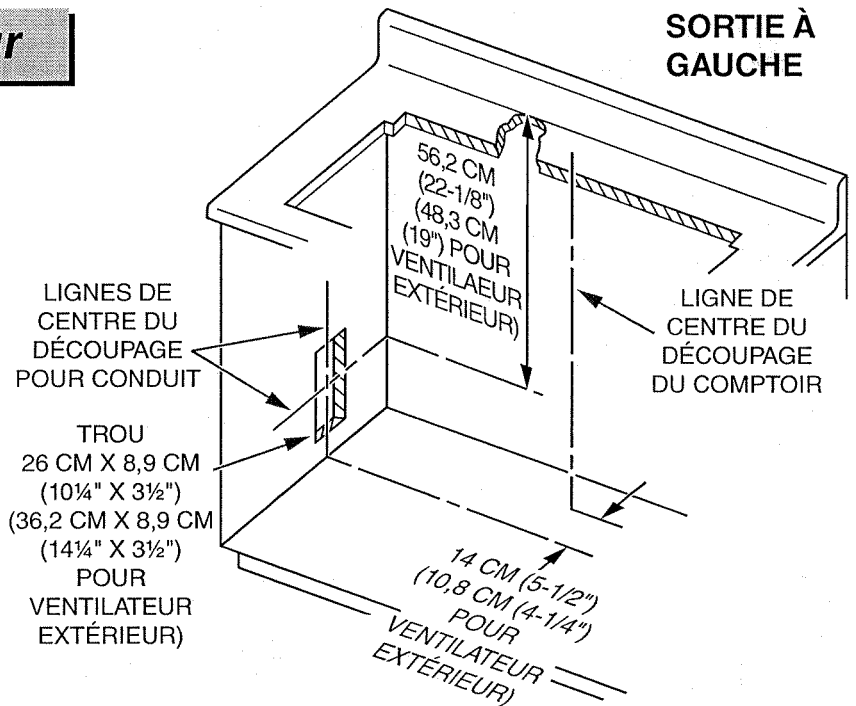
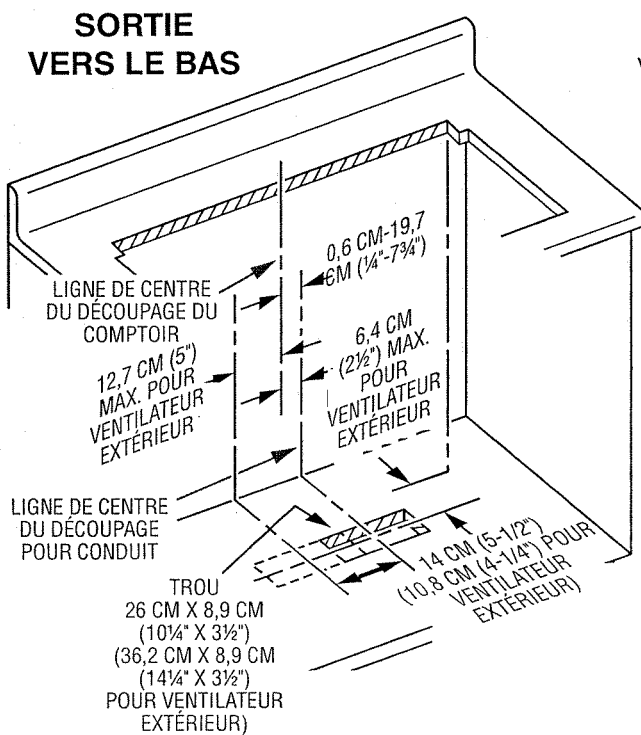
REMARQUE : L'équivalent en longueur pour les chapeaux de toit et de mur a été pris en considération. Ne pas inclure ces éléments dans votre calcul.

PRÉPARATION DU DÉCOUPAGE DE L'ARMOIRE

Installation du ventilateur



ATTENTION : AVANT DE DÉCOUPER L'ARMOIRE POUR LES CONDUITS, assurez-vous que les solives du plancher, les montants des murs, les câbles électriques et les tuyaux de nuisent pas.



PRÉPARATION DU CÂBLAGE

Installation du ventilateur intérieur

1. Le ventilateur encastré intérieur consomme 4 AMPÈRES et nécessite un circuit de 120 VCA, 60 Hz.
2. L'unité est munie d'un cordon électrique de 45,7 cm (18") avec une fiche à trois broches. Prévoyez l'installation d'une prise avec mise à la terre à un endroit permettant le branchement du cordon.

IMPORTANT – POSITION DE LA PRISE ÉLECTRIQUE :

Si le modèle RMDD3004 est installé dans une armoire de 76,2 cm (30") de largeur...

ou le modèle RMDD3604 est installé dans une armoire de 91,4 cm (36") de largeur...

ou le modèle RMDD4804 est installé dans une armoire de 122 cm (48") de largeur...

...la prise ne peut pas être fixée au fond de l'armoire.

Dans ce cas, le boîtier de la hotte occupe presque toute la largeur de l'armoire. Vous pouvez alors :

- installer la prise électrique sur les côtés ou sur le plancher de l'armoire – à au moins 30 cm (12") du fond.
- installer la prise électrique sur un montant du mur derrière l'armoire – à un endroit où elle ne sera pas masquée par la hotte, puis percer un trou d'accès dans le fond de l'armoire.

Installation du ventilateur extérieur

1. Le ventilateur encastré extérieur consomme 6 AMPÈRES et nécessite un circuit de 120 VCA, 60 Hz.
2. L'unité est munie d'un cordon électrique de 45,7 cm (18") avec une fiche à trois broches. Prévoyez l'installation d'une prise avec mise à la terre à un endroit permettant le branchement du cordon.

IMPORTANT – POSITION DE LA PRISE ÉLECTRIQUE :

Si le modèle RMDD3004EX est installé dans une armoire de 76,2 cm (30") de largeur...

ou le modèle RMDD3604EX est installé dans une armoire de 91,4 cm (36") de largeur...

ou le modèle RMDD4804EX est installé dans une armoire de 122 cm (45") de largeur...

...la prise ne peut pas être fixée au fond de l'armoire.

Dans ce cas, le boîtier de la hotte occupe presque toute la largeur de l'armoire. Vous pouvez alors :

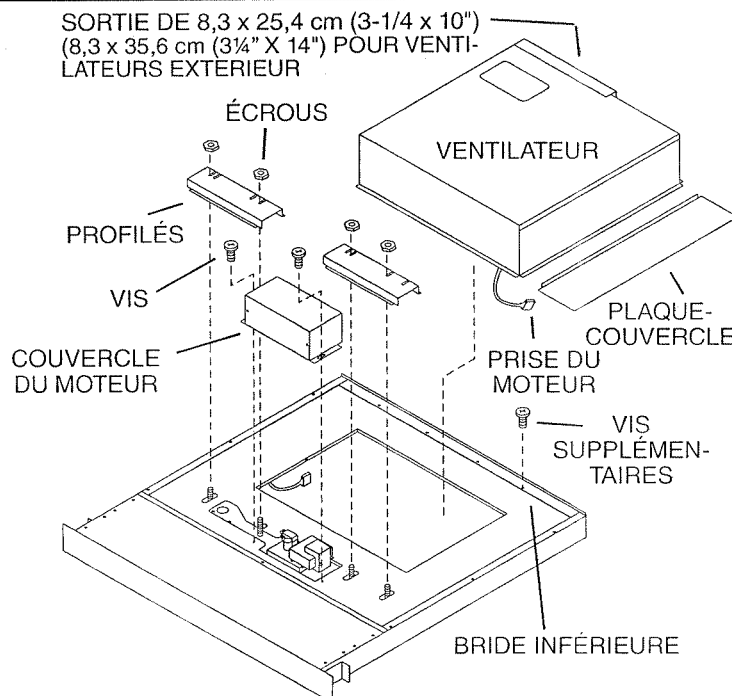
- installer la prise électrique sur les côtés ou sur le plancher de l'armoire – à au moins 30 cm (12") du fond.
- installer la prise électrique sur un montant du mur derrière l'armoire – à un endroit où elle ne sera pas masquée par la hotte, puis percer un trou d'accès dans le fond de l'armoire.

PRÉPARATION DE LA HOTTE

Installation du raccord de conduit ventilateur intérieur / extérieur

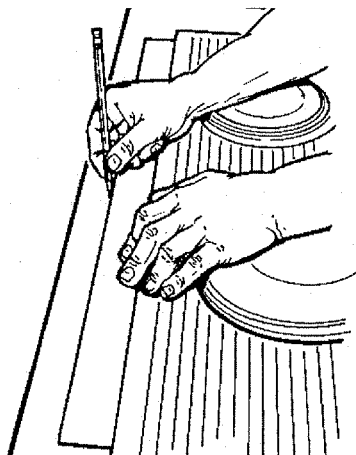
Ce ventilateur encastré est transporté avec le raccord de conduit se dirigeant vers le fond de l'unité. Si vous souhaitez changer cette orientation, suivez les 9 étapes ci-dessous.

1. Placez la hotte sur le dos sur une table ou une surface de travail droite.
2. Enlevez les 4 écrous et les 2 profilés.
3. Enlevez les 2 vis et le couvercle du moteur.
4. Placez soigneusement le ventilateur sous la bride inférieure de la hotte, la sortie de 8,3 x 25,4 cm (3 1/4" x 10") (8,3 x 35,6 cm (3 1/4" x 14") pour ventilateurs extérieurs) tournée dans la direction souhaitée.
5. Branchez la prise du moteur.
6. Remplacez le couvercle du moteur et les 2 vis à métal.
7. Remplacez les 2 profilés et engagez les 4 écrous, sans serrer.
8. Glissez le ventilateur à gauche ou à droite à la position souhaitée. Utilisez la plaque-couvercle (fournie) pour fermer toute ouverture inutile.
9. Serrez les 4 écrous pour fixer le dessus du ventilateur. Utilisez les vis supplémentaires (fournies) dans la bride inférieure pour fixer le bas du ventilateur.



DÉCOUPAGE DU COMPTOIR

1. Tracer et découper la forme de la table de cuisson dans le comptoir, suffisamment vers l'AVANT afin de pouvoir insérer le conduit vertical derrière elle.
2. Insérer la table de cuisson et la glisser vers l'avant aussi loin que possible. Centrer l'appareil et le placer d'équerre avec le bord du comptoir.

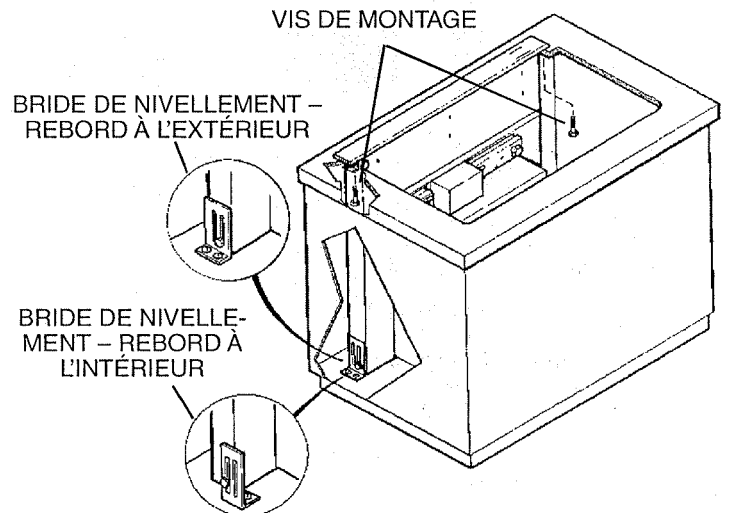


3. Placer le gabarit de plastique contre le rebord arrière de la table de cuisson tout en le centrant correctement. Tracer le contour du gabarit afin de marquer l'ouverture du conduit vertical.
4. Retirer la table de cuisson du comptoir.
5. Découper l'ouverture du conduit vertical en prenant garde de ne pas ébrécher le rebord du comptoir.

INSTALLATION DE L'UNITÉ

Tous les modèles

1. Placez la hotte dans l'ouverture. Allongez les **brides de nivellement** jusqu'au plancher de l'armoire afin que la hotte s'appuie bien droite. (Remarque : vous pouvez enlever les brides de nivellement et les fixer dans une autre position. La bride inférieure peut être retournée vers l'intérieur si les dimensions de l'armoire sont très justes.)
2. Fixez la hotte au comptoir comme suit : tenez la hotte contre l'arrière de l'ouverture du comptoir et serrez les deux **vis de montage** (à chaque bout de l'appareil) sous le comptoir. Utilisez une cale de bois entre la vis et le dessous des comptoirs de granite.
3. Vissez les **brides de nivellement** au plancher de l'armoire. Serrez les vis en maintenant la bride de chaque côté de l'unité.



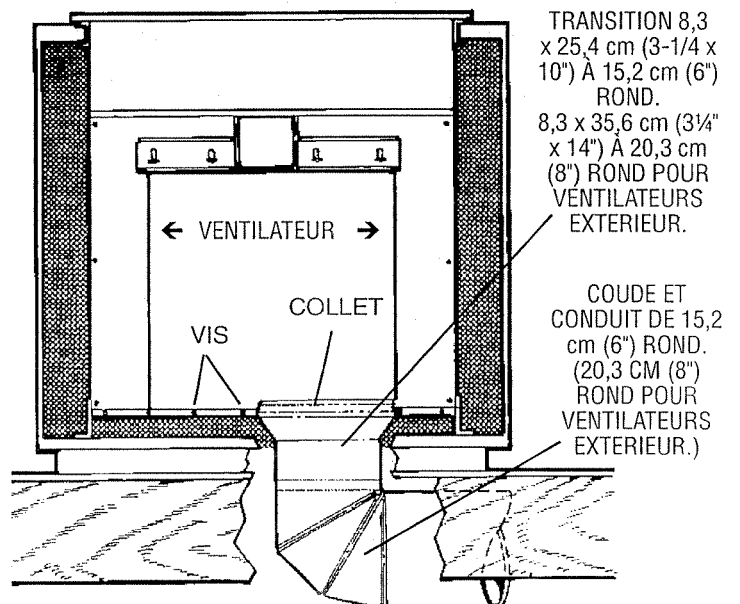
INSTALLATION DES CONDUITS

Installation du ventilateur

ATTENTION :
AVANT DE DÉCOUPER L'ARMOIRE POUR LES CONDUITS, assurez-vous que les solives du plancher, les montants des murs, les câbles électriques et les tuyaux de nuisent pas.

1. Découpez les trous dans l'armoire, le mur ou le plancher.
2. Installez le chapeau de toit ou de mur et travaillez en progressant vers l'armoire. Installez tous les **conduits, coudes et transitions** tel que prévu. Recouvrez tous les joints de ruban adhésif pour qu'ils soient parfaitement étanches.
3. Raccordez le **conduit** (et la transition, si nécessaire) à la hotte. Au besoin, **DESSERREZ** les écrous et les **vis** qui maintiennent le ventilateur, et **glissez-le** à gauche ou à droite pour l'aligner avec le conduit. Resserrez les vis et les écrous.

Remarque : Un collet de 8,3 x 25,4 cm (3¼" x 10") (8,3 x 35,6 cm (3¼" x 14") pour ventilateurs extérieur) est offert aux installateurs qui préfèrent riveter les conduits à l'appareil. Cette pièce permet d'enlever le ventilateur et de le remonter facilement à des fins d'entretien sans déranger les conduits.



CÂBLAGE ÉLECTRIQUE

Installation du ventilateur intérieur



ATTENTION : Le câblage doit être effectué par un électricien qualifié conformément aux codes et aux normes en vigueur.

1. Installez une boîte électrique standard avec une prise à trois broches dans l'armoire. Vérifiez que le cordon électrique de la hotte puisse facilement l'atteindre.
2. Acheminez le câble d'alimentation jusqu'à l'armoire et raccordez-le à la prise.
3. Branchez le cordon électrique de la hotte dans la prise. Assurez-vous que le cordon est loin de la chaleur dégagée par la surface de cuisson.

Installation du ventilateur extérieur



ATTENTION : Le câblage doit être effectué par un électricien qualifié conformément aux codes et aux normes en vigueur.

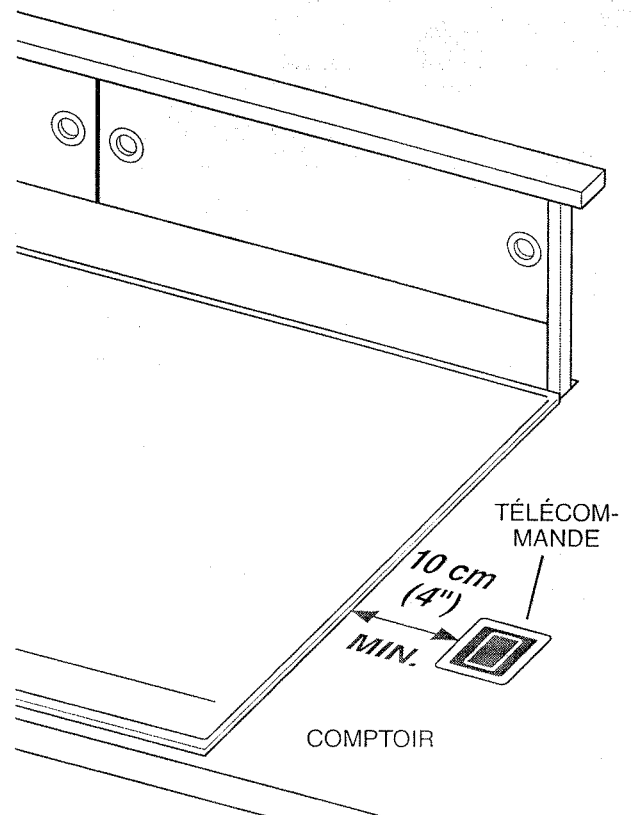
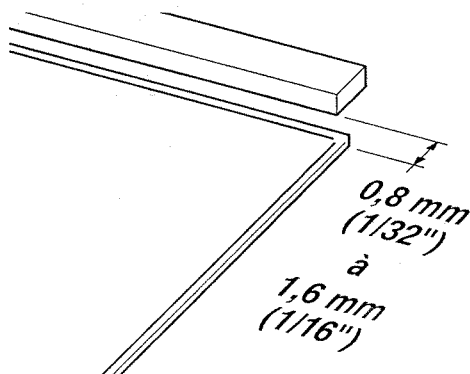
1. Installez une boîte électrique standard avec une prise à trois broches dans l'armoire. Vérifiez que le cordon électrique de la hotte puisse facilement l'atteindre.
2. Acheminez le câble d'alimentation jusqu'à l'armoire et raccordez-le à la boîte électrique et à la prise.
3. Le ventilateur extérieur ou en ligne ne doit pas excéder un **courant nominal de 6,0 ampères**.
4. Acheminez un câble à deux brins et à fil de terre entre le ventilateur extérieur ou en ligne et la boîte électrique de la plaque d'adaptateur. Enlevez la couverture de boîte de câblage.
5. Raccordez le socle de câblage au câble d'alimentation du ventilateur extérieur ou en ligne. Raccordez le noir avec le noir, le blanc au blanc et le vert au vert ou au fil nu.
6. Refermez la boîte électrique.
7. Branchez le cordon électrique de la hotte dans la prise. Assurez-vous que le cordon est loin de la chaleur dégagée par la surface de cuisson.

INSTALLATION DE LA SURFACE DE CUISSON

Tous les modèles

1. Alignez la surface de cuisson avec la hotte et fixez-la en place.

Remarque : Il est nécessaire de bien aligner la cuisinière et la hotte afin d'éviter toute obstruction au moment de relever ou d'abaisser le conduit d'aération. Un jeu de 1 à 2 mm (1/32 - 1/16") est nécessaire entre l'arrière de la surface de cuisson et l'avant du couvercle de la hotte.



Remarque : La télécommande doit être montée dans le comptoir à au moins 10 cm (4") des éléments ou brûleurs.

INSTALLATION DE LA TÉLÉCOMMANDE HAUT/BAS (FACULTATIF)

Tous les modèles

Quand utiliser la télécommande HAUT/BAS

Vous devez utiliser la télécommande HAUT/BAS si votre surface de cuisson comporte un brûleur situé à moins de 10 cm (4") du bouton HAUT/BAS de la cheminée d'évacuation.

La télécommande HAUT/BAS peut être utilisée par commodité pour actionner le mouvement HAUT/BAS de la cheminée (même si les brûleurs sont situés à plus de 10 cm (4") du bouton HAUT/BAS de la cheminée d'évacuation).

Comment utiliser la télécommande HAUT/BAS

Ne placez pas la télécommande à un endroit où elle pourrait gêner les travaux culinaires, là où vous déposez des chaudrons chauds ou à un endroit où des liquides chauds risquent de l'éclabousser. La télécommande HAUT/BAS désactive la fonction HAUT/BAS du bouton HAUT/BAS de la cheminée d'évacuation.

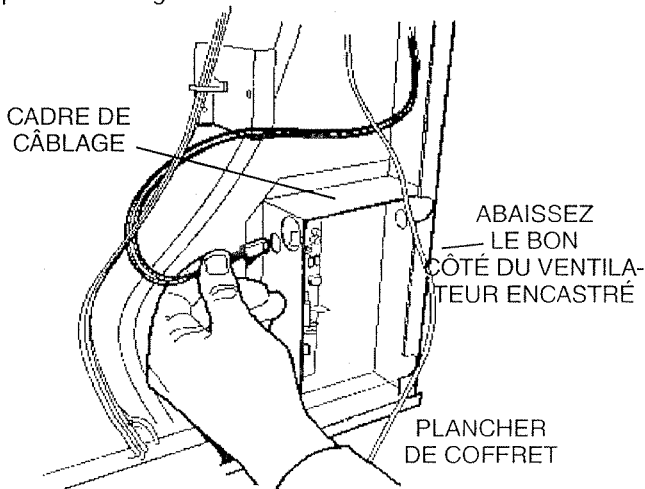
Installation

1. À l'aide du gabarit de droite, disposez les 3 trous sur le comptoir de cuisine. Marquez les centres des trois trous à percer.
2. Percez soigneusement les trous au travers du comptoir. Prenez garde de ne pas abîmer ou écailler la surface lors du perçage.
3. Sortez la télécommande du sachet de plastique. Alignez la télécommande avec les trois trous en vous assurant qu'elle est parallèle avec le devant du comptoir.
4. Sortez du sachet les deux écrous à oreilles en nylon et vissez-les sur les deux tiges filetées de la télécommande, sous le comptoir. **Ne les serrez qu'à la main.**

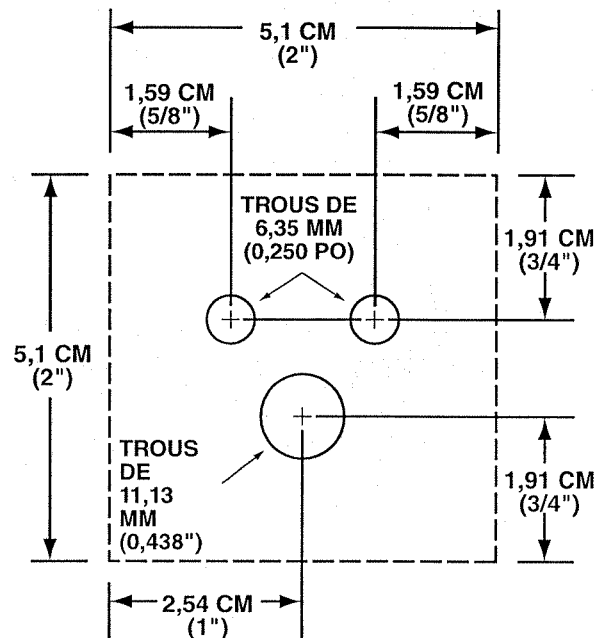


AVERTISSEMENT : Pour réduire les risques de brûlure et éviter d'incendier vos vêtements en étendant la main au-dessus des brûleurs, la télécommande doit être posée à au moins 10 cm (4") de tout brûleur.

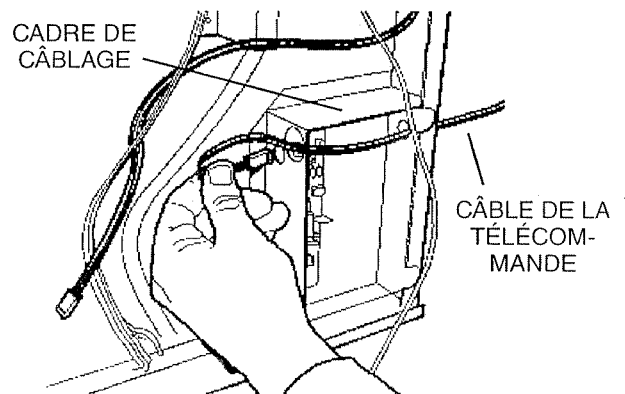
5. Retirez le ventilateur, les canaux de bride, et la couverture de moteur à engrenages de ventilateur encastré (voyez "Préparation de la Hotte" à la page 31). Retirez le grand panneau pour exposer le câblage de la ventilateur encastré.



6. Au coin droit inférieur du ventilateur encastré, débranchez le câble du côté gauche de la boîte de câblage.



COUPER SUR LA LIGNE POINTILLÉE



7. Enlevez le câble de la télécommande du sachet en plastique et branchez-l'au dos de la commande de dessous le comptoir. Exécutez le câble par le module au coin droit inférieur de la ventilateur encastré et par les trous de dégagement dans le côté de la ventilateur encastré et cadre de câblage. Branchez le câble à la prise de carte, comme montré.
8. Poussez le câble excessif à l'écart, fixez le câble ainsi il n'est pas endommagé par des articles stockés dans le coffret, et rassemblez ventilateur encastré.

UTILISATION ET ENTRETIEN

Tous les modèles



AVERTISSEMENT : Coupez toujours le courant avant de nettoyer ou d'entretenir l'appareil.

Actionnez toujours la hotte encastrée avant de commencer à cuisiner afin de créer un courant d'air dans la cuisine. Laissez aussi fonctionner la hotte quelques minutes pour purifier l'air après avoir éteint la cuisinière. Votre cuisine n'en sera que plus propre et étincelante. Lorsque vous appuyez sur le bouton de mise en marche, le conduit d'aération s'élève.

Nettoyage

Nettoyez les surfaces peintes avec un détergent doux. NE PAS UTILISER D'ABRASIF, DE LAINE D'ACIER NI DE POUDRES À RÉCURER. Nettoyez la soufflerie avec un aspirateur. Ne plongez pas la soufflerie dans l'eau.

Lavez les deux filtres d'aluminium/acier inoxydable dans une solution de détergent doux ou au lave-vaisselle. Retirez-les du conduit d'aération en tirant sur la languette située en haut des filtres.

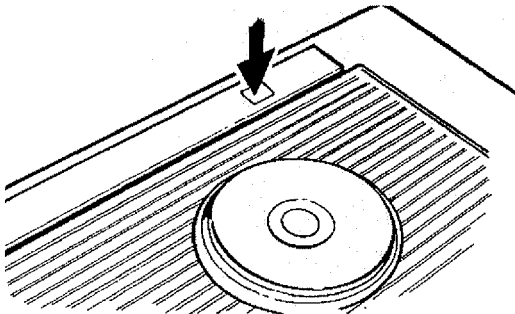
Entretien/réparation

Il peut s'avérer nécessaire d'enlever la hotte encastrée de l'armoire pour entretenir ou réparer certaines pièces, telles que le moteur du ventilateur ou le mécanisme du conduit d'aération. Débranchez d'abord la surface de cuisson et enlevez celle-ci. Suivez les étapes inverses du "MONTAGE DE L'APPAREIL" pour enlever la hotte de l'armoire.

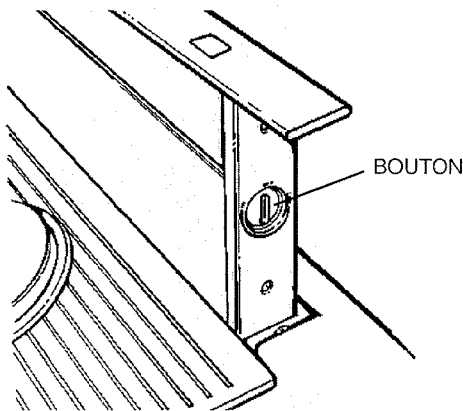
ARRIÈRE DU GABARIT DE LA TÉLÉCOMMANDE

UTILISATION

Tous les modèles

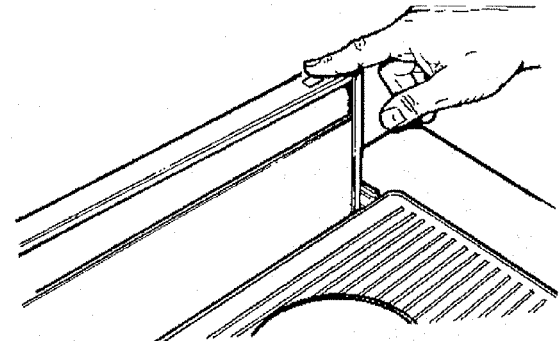


Allumez le ventilateur encastré en enfonçant sur le commutateur de lancement. La mise à l'air libre montera.



Le ventilateur peut être marche ou arrêt, et sa vitesse peut être ajustée avec la molette enfoncée du bon côté de la mise à l'air libre.

Arrêtez le ventilateur en appuyant sur le commutateur de déclen-



chement encore. La mise à l'air libre descendra et la ventilateur coupera.

Note: Pour la plupart d'opération commode, placez le ventilateur à votre vitesse préférée. Le ventilateur avancera à cette vitesse toutes les fois que le commutateur de déclenchement est appuyé sur et aux élévations de mise à l'air libre.

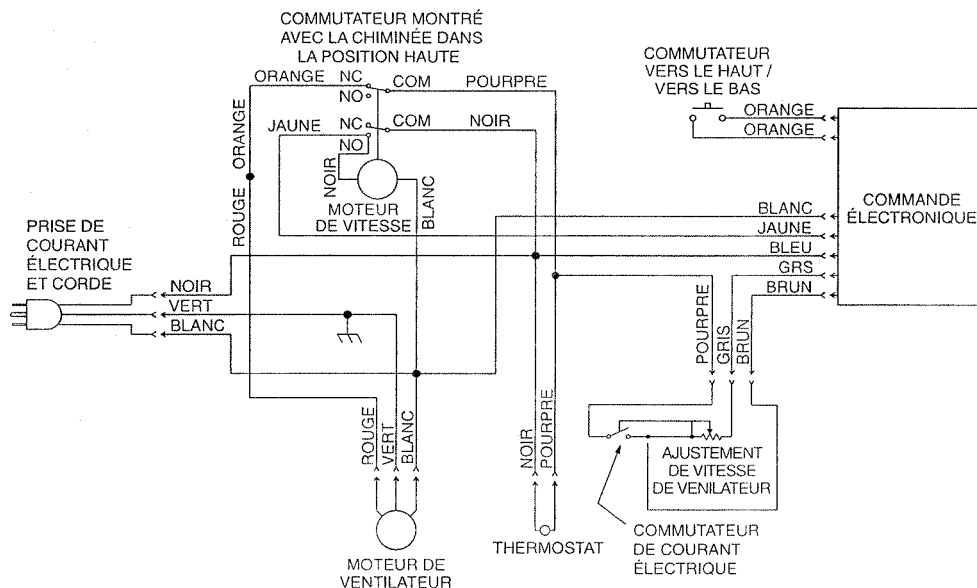
Sentinelle De la Chaleur

Quand la cheminée est haute et le ventilateur est marche (à toute vitesse) ou arrêt:

Si la température d'échappement devient plus haut que prévue, le mode de sentinelle de la chaleur lancera et augmentera la vitesse de ventilateur à la haute.

L'abaissement de la cheminée arrêtera le ventilateur - même si la sentinelle de la chaleur est en activité.

DIAGRAMME DE CÂBLAGE



GARANTIE

GARANTIE LIMITÉE D'UN AN DE BROAN

Broan garantit à l'acheteur consommateur original de ses produits qu'ils sont exempts de vice de matériaux ou de fabrication pour une période d'un an à compter de la date d'achat original. IL N'Y A PAS D'AUTRES GARANTIES, EXPRIMÉES OU IMPLICITES, INCLUANT MAIS NON LIMITÉES AUX GARANTIES IMPLICITES DE QUALITÉ MARCHANDE ET DE CONVENANCE DANS UN BUT PARTICULIER.

Durant cette période d'un an, Broan, à sa discrétion, réparera ou remplacera gratuitement tout produit ou pièce qui s'avèrera défectueux et ayant été utilisé normalement et d'une manière non abusive.

CETTE GARANTIE NE COUVRE PAS LES STARTERS DETUBES FLUORESCENTS NILESTUBES FLUORESCENTS. Cette garantie ne couvre pas (a) l'entretien et le service normal ou (b) tout produit ou pièce endommagé à la suite d'un mauvais usage, d'une négligence, d'un accident, d'un entretien inadéquat ou d'une réparation (autre que par Broan), d'une mauvaise installation ou d'une installation non conforme au mode d'installation recommandé.

La durée de toute garantie implicite est limitée à une période d'un an tel que spécifié pour la garantie exprimée. Certains États ou provinces ne permettent pas de limitation de la durée d'une garantie implicite. Cette condition ne s'applique donc peut-être pas dans votre cas.

L'ENGAGEMENT DE BROAN À RÉPARER OU À REMPLACER, AU CHOIX DE BROAN, SERA LA SEULE OBLIGATION EXCLUSIVE SOUS CETTE GARANTIE. BROAN NE SETIENDRA PAS RESPONSABLE DES DOMMAGES DIRECTS, INDIRECTS OU SPÉCIAUX AYANT UN LIEN DIRECT OU INDIRECT AVEC L'UTILISATION OU LA PERFORMANCE DE SES PRODUITS. Certains États ou provinces ne permettent pas l'exclusion ou la limitation de dommages directs ou indirects. Cette condition ne s'applique donc peut-être pas dans votre cas.

Cette garantie vous donne des droits spécifiques et il se peut que vous ayez d'autres droits qui varient d'une province à l'autre ou d'un État à l'autre. Cette garantie annule toutes les garanties précédentes.

Pour le service sous garantie, vous devez (a) aviser Broan à l'adresse ou numéro de téléphone mentionnée ci-dessous, (b) donner le numéro ou le modèle et l'identification de la pièce et (c) décrire la nature de tout défaut dans le produit ou la pièce. Au moment de la demande de service sous garantie, vous devez présenter une preuve de la date d'achat original du produit en question.

Broan-NuTone LLC Hartford, Wisconsin
www.broan.com 800-558-1711

Les pièces de remplacement peut maintenant être commandé sur notre site Web. S'il vous plaît visitez-nous au www.Broan.com

PIÈCES DE RECHANGE

Légende	76,2 cm (30") Largeur	91,4 cm (36") Largeur	122 cm (48") Largeur	Description
1	97018397	97018398	97018399	HAUT DE LA HOTTE
2	99140195	99140195	99140195	RESSORT DE FILTRE
3	99230345	99230345	99230345	RIVET AVEUGLE
4	97018526	97018527	97018528	ENSEMBLE DE CHEMINÉE
5	97015874	97015874	97015874	CAPOT D'EXTRÉMITÉ DR
6	98009358	98009358	98009358	CAPOT D'EXTRÉMITÉ GA
7	97015973	97015973	97015973	GUIDE DE CHEMINÉE USINÉ
8	98010013	98010013	98010013	GUIDE DE BOÎTE À AIR USINÉ
9	99160421	99160421	99160421	VIS RHM 8-32 x 0,375
10	99160419	99160419	99160419	VIS 8-32 x 0,500 PH FLHD
11	99271218	99271218	99271218	FIL DE MISE À LA TERRE
12	99150471	99150471	99150471	VIS 10-32 x 0,500 TYP CA PH
13	97015841	97015842	97015843	FILTRE
14	99710032	99710032	99710032	CALE
15	99111184	99111184	99111184	BANDES COULISSANTES
16	97015974	97015975	97015976	SOUDURE DE BOÎTE À AIR
17	99271210	99271210	99271210	ENSEMBLE DE CORDON
18	99400060	99400060	99400060	BAGUE ANTIFRICTION
19	99271295	99271295	99271295	SOCLE DE CÂBLAGE
20	99271292	99271292	99271292	ENSEMBLE DE COMMULATEUR
21	99271291	99271291	99271291	CONSOLE DE COMMANDE
22	97018525	97018525	97018525	ENSEMBLE DE MANIVELLE
23	97017023	97017023	97017023	BRIDE DE MOTO-RÉDUCTEUR
24	97017039	97017035	97017036	KIT DE MOTO-RÉDUCTEUR DE LES MODÈLES VENTILATEURS INTERNES (INCLUT LÉGENGES 23 ET 27 SUR MODÈLES DE 36" ET 48")
	97017059	97017037	97017038	KIT DE MOTO-RÉDUCTEUR DE LES MODÈLES VENTILATEURS EXTERNES (INCLUT LÉGENGES 23 ET 27 SUR MODÈLES DE 36" ET 48")
26	98010798	98010799	98010801	DESSOUS AVANT DE LA BOÎTE À AIR
27	97017045	97017041	97017042	CAPOT DE MOTO-RÉDUCTEUR POUR MODÈLES À VENTILATEUR INTERNE
	97017046	97017043	97017044	CAPOT DE MOTO-RÉDUCTEUR POUR MODÈLES À VENTILATEUR EXTERNE
28	98010802	98010803	98010803	CAPOT D'OUVERTURE DE BOÎTE À AIR
29	98010804	98010804	98010824	BRIDE DE BOÎTE À AIR
30	99260488	99260488	99260488	ÉCROU À RONDELLE 10-24
31	97018476	97018476	97018476	ENSEMBLE DE BOÎTE DE DÉFILEMENT
32	98010809	98010809	98010809	COUVERCLE DE BOÎTE DE DÉFILEMENT
33	98008157	98008157	98008157	BRIDE DE CONDENSATEUR
34	98010810	98010810	98010810	EXT - SOUDURE DE BOÎTE DE DÉFILEMENT
35	99080362	99080362	99080362	MOTEUR À CONDENSATEUR
36	99020247	99020247	99020247	ROUE À AILETTES
37	99100484	99100484	99100484	ISOLATEUR DE BRIDE DE MOTEUR
38	99260477	99260477	99260477	ÉCROU À RONDELLE 1/4-20
39	99030323	99030323	99030323	DÉTECTEUR DE CHALEUR
40	97016974	97016974	97016974	PLAQUAD'ADAPTATEUR
41	98010005	98010005	98010005	PLAQUE D'ÉVACUATION
42	99271304	99271304	99271304	SOCLE DE CÂBLAGE
43	99400042	99400042	99400042	BAGUE ANTIFRICTION
44	99271296	99271296	99271296	SOCLE DE BOUTON MARCHÉ / ARRÊT
45	99271306	99271306	99271306	SOCLE DE DÉTECTEUR DE CHALEUR
46	98010010	98010010	98010010	BRIDE DE DÉTECTEUR DE CHALEUR

PIÈCES DE RECHANGE

