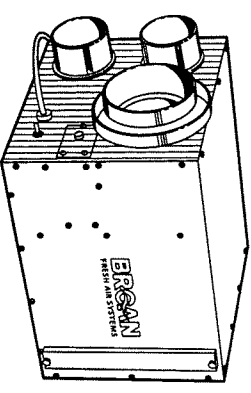


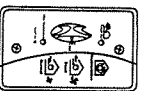
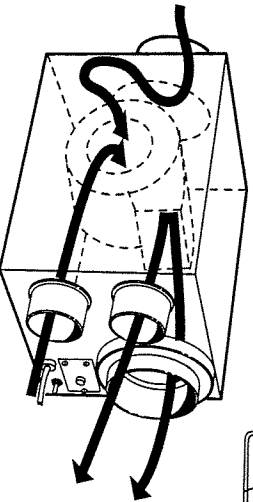
AE60 FRESH AIR SYSTEM



Whole-house Air Exchanger

FEATURES

- Cost-effective solution to dilute contaminants inside the house by continually exchanging stale polluted air with fresh outdoor air.
- Continuous background ventilation with 30-55 cfm of fresh air / Improves air quality by reducing contaminant concentration levels.
- It is the minimal requirement for improved indoor air quality and continuous air exchange, and for reducing excess humidity (depending on outside conditions).
- Ideal for houses that already have a bath fan.
- Smart Electronics board / Advanced smart temperature circuitry will set the percentage of air mixture to optimize comfort levels in case of extreme temperatures (below 23°F and above 74°F).
- Easy-to-use wall switch included with unit / Better unit control with settings: off, normal, boost, and recirculation modes. Includes fresh air indicator and filter maintenance indicator.



GENERAL SPECIFICATIONS

- For houses up to 2,000 sq. ft.
- 160 cfm (including 30 cfm of fresh air) to 185 cfm (including 55 cfm of fresh air)
- Voltage: 120 VAC
- Frequency: 60 Hz
- Dimensions: 23" x 12.25" x 15"
- Weight: 40 lbs
- Shipping Weight: 45 lbs
- Warranty: 2 years on parts
- HVI Rated of air flow: 56 cfm
- Power Consumed (max): 140 Watts
- Supply air duct connections: Stale, 4" or 5"; Fresh: 6"
- Exhaust air duct connections: Stale, 6"; Fresh, 4" or 5"
- Filter: 1 mesh filter
- Cabinet: 20 ga. Pre-painted steel
- Mounting: Suspension by chains and springs
- Wall control modes: Off, Normal, Boost, and Recirculation
- Power: 140 Watts
- Current: 1.2 Amps
- Continuous duty, permanently lubricated motors
- 36" power cord



Broan-NuTone LLC Hartford, Wisconsin www.broan.com 800-558-1711

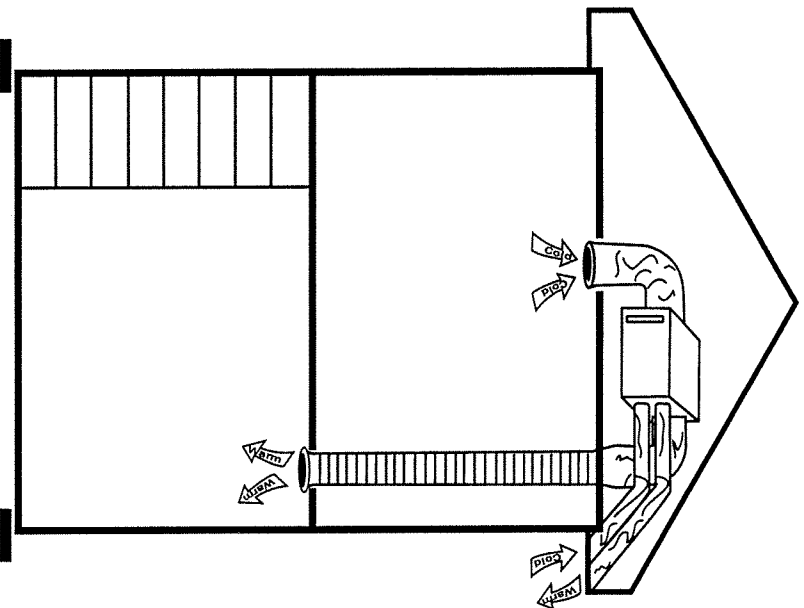
REFERENCE	QTY.	REMARKS												
		<table border="1"> <tr> <td>Project</td> <td></td> </tr> <tr> <td>Location</td> <td></td> </tr> <tr> <td>Architect</td> <td></td> </tr> <tr> <td>Engineer</td> <td></td> </tr> <tr> <td>Contractor</td> <td></td> </tr> <tr> <td>Submitted by</td> <td>Date</td> </tr> </table>	Project		Location		Architect		Engineer		Contractor		Submitted by	Date
Project														
Location														
Architect														
Engineer														
Contractor														
Submitted by	Date													

MODEL AE60 PERFORMANCE SPECIFICATIONS

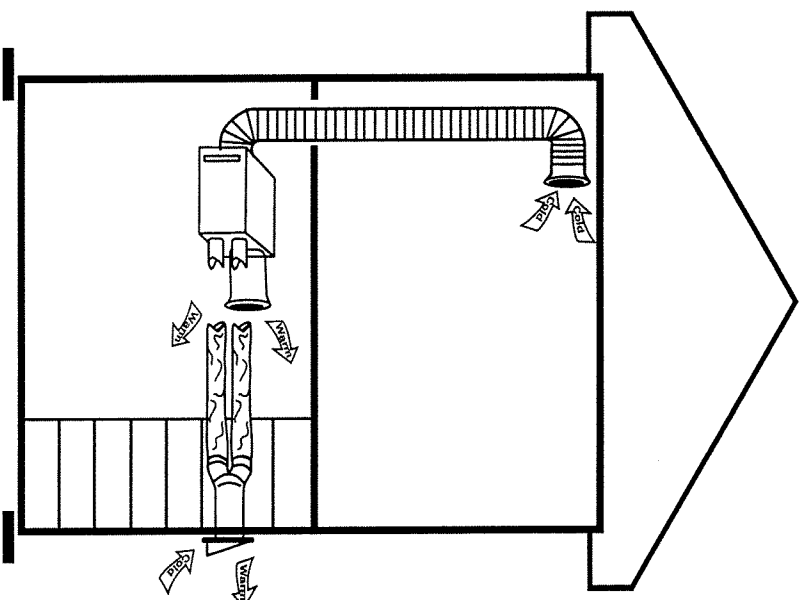
Ventilation Performance						
External Static Pressure	Net Ventilation Airflow		Gross Airflow Recirculation		Average Power	
	Pa	In. W.g.	L/s	cfm		L/s
50	0.2	26	56	104	220	139
100	0.4	17	35	88	187	135



INSTALLATION OPTIONS



Attic



Basement

