

Antero's surfaces flow together in a stunning and sophisticated look that anyone would be proud to have in their kitchen. This new design has features like the quiet Captur™ system and brilliant LED lighting.



SIZE	WHITE	BLACK	STAINLESS	GREASE FILTERS (replacement)	NON-DUCTED FILTERS
30 in.	CLSC230WW	CLSC230BL*	CLSC230SS	HPFA130 (Type C1)	HPF30 (Type Xc)

* Available on-line only.

HVI PERFORMANCE								
Duct Orientation	Size	Damper	Sones		CFM			
			Normal	High	Normal	High 0.25 in. w.g.	High 0.1 in. w.g.	
Vertical - Rectangular	3¼ in. x 10 in.	Included	1.5	5.5	130	160	250	
Horizontal - Rectangular	3¼ in. x 10 in.	Included	1.5	6.0	110	160	240	
Round - Vertical	7 in.	Sold Separately	1.5	5.5	140	150	280	

FEATURES	
Max. Blower CFM**	375
Control type	2-speed Rocker
Delay off	no
Filter Clean Reminder	no
Heat Sentry™	no
ADA Capable	yes
Lighting	1-level 4 W LED (bulbs included)
Grease Filters	Open Mesh (Qty. 2)
Installation Hardware	no
ENERGY STAR®	no
Recirculation	Non-ducted filters sold separately

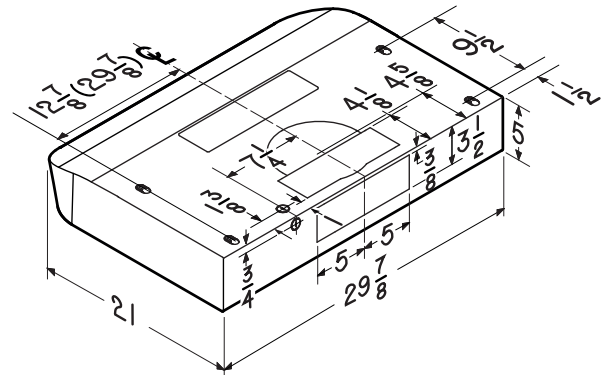
AC INPUT	
120 V, 60 Hz - 1.4 AMPS	

OPTIONAL ACCESSORIES	
7-in. Round Damper	BP87Q
Make-up Air Dampers	MD6TU, MD8TU and MD10TU

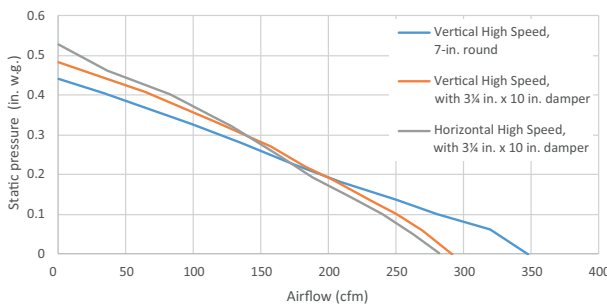
MOUNTING HEIGHT	
18 in. to 24 in. from cooktop to bottom of hood	

LIMITED WARRANTY	
1-year	

FOR INDOOR USE ONLY



Dimensions shown in inches.



SPECIFICATION SHEET
ANTERO - CLSC2 SERIES

HVI-2100 CERTIFIED RATINGS comply with new testing technologies and procedures prescribed by the Home Ventilating Institute, for off-the-shelf products, as they are available to consumers. Product performance is rated at 0.1 in. static pressure, based on tests conducted in AMCA's state-of-the-art test laboratory. Sones are a measure of humanly-perceived loudness, based on laboratory measurements.

** Max. blower CFM indicates the performance of the hood blower in open air.