

Add lighting and ventilation to your room - with the look of an ordinary recessed light.

Recessed Fan / LED Light

FEATURES

BAFFLE:

- Polymeric construction with matte white finish
- Recessed styling, mounts flush with finished ceiling
- Optional brushed bronze and brushed nickel trim rings included

LAMP:

- Uses BR30-shaped, 3500K, 9.5W, high efficacy, dimmable, LED lamp with E26 base (included)

BLOWER:

- Plug-in, permanently lubricated, motor
- Dynamically balanced centrifugal blower wheel for quiet, efficient performance
- Low RPM for quiet operation
- Selectable CFM - Factory-set at 50 CFM - Can be set to 80 CFM

HOUSING:

- Fits in 2" x 8" construction
- Rugged, galvanized steel construction
- 4" round, polymeric duct connector with 2" tapered sleeve and no metallic clatter
- Adjustable mounting brackets span up to 24"

CONTROLS (Purchase separately):

- Refer to NuTone's catalog for a complete line of accessories to effectively adapt this fan to your construction requirements.

LUTRON DIMMERS *: (purchase separately)

CTCL-153P-WH, CTCL-153PDH, SCL-153P, MACL-153M, MACL-153MR-WH, TGCL-153PH-WH

LEVITON DIMMERS *: (purchase separately)

DDMX1-BLZ, 6672, 6674-P0W, IPL0610Z

* Dimmer compatibility list indicates those dimmers that have been tested and operate properly under normal conditions. Each application is unique and various factors such as load, common neutrals or other electrical products on the circuit can, in certain instances, cause variance in system performance. Consult dimming system manufacturer for additional support in operation.

UL Listed for use in insulated ceilings (TYPE I.C.)

UL Listed for use over bathtubs and showers when connected to a GFCI protected branch circuit (ceiling mount only).

3-Year Warranty

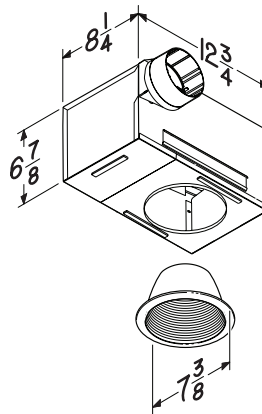
SPECIFICATIONS

MODEL	VOLTS	AMPS**
744RNL	120	0.4

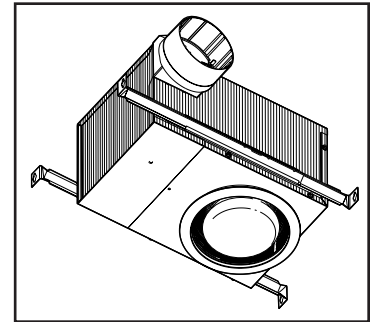
** Total Connected Load



SETTING	STATIC PRESSURE	CFM	SONES	FAN WATTS	DUCT
80	0.1	80	2	27.4	4" Round
	0.25	65			
50	0.1	50	0.3	10.7	
	0.25	35			

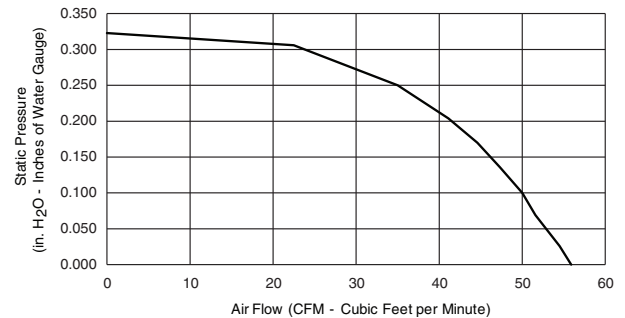


MODEL 744RNL

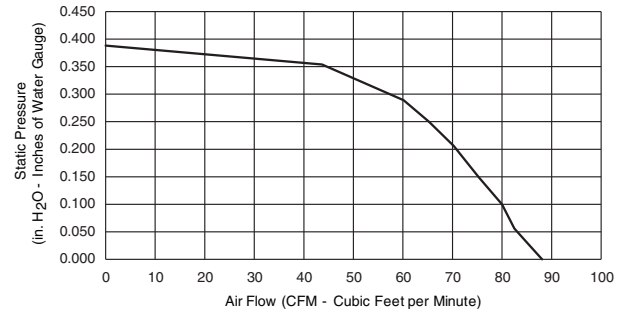


AIR FLOW PERFORMANCE

MODEL 744RNL - 50 CFM SETTING



MODEL 744RNL - 80 CFM SETTING



HVI-2100 CERTIFIED RATINGS comply with new testing technologies and procedures prescribed by the Home Ventilating Institute, for off-the-shelf products, as they are available to consumers. Product performance is rated at 0.1 in. static pressure, based on tests conducted in a state-of-the-art test laboratory. Sones are a measure of humanly-perceived loudness, based on laboratory measurements.

Broan-NuTone LLC Hartford, Wisconsin www.nutone.com 888-336-3948

REFERENCE	QTY.	REMARKS	Project
			Location
			Architect
			Engineer
			Contractor
			Submitted by
			Date