



## QTXEN Series

Ultra quiet and the most stylish options for your home.

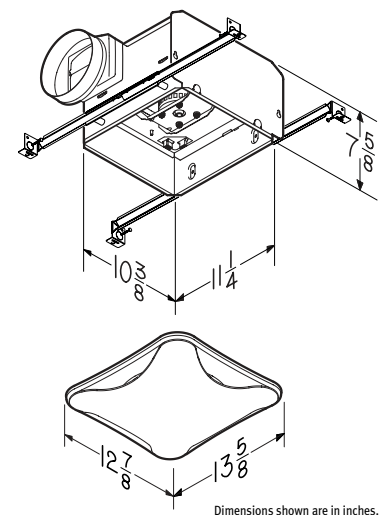
The QTXEN line represents the ultimate in bath fan solutions for today's homes. Whether you select a fan or a fan-light version, the QTXEN line brings simple elegance to any bath or powder room. The QTXEN series is among the quietest available and provides just the right amount of ventilation and light at the touch of a switch.

- Energy Star qualified performance and nearly silent operation
- Plug-in permanently lubricated motor engineered for continuous operation
- cUL and UL listed for use over bathtubs and showers when connected to a GFCI protected branch circuit
- Resilient anti-vibration motor mounts
- Dynamically balanced centrifugal blower wheel for quiet, efficient performance
- Rugged steel housing with sturdy four-point mounting directly to joist
- Adjustable hanger bars are included
- 6" round duct connector
- Includes unique spacer (patent pending) for mounting to engineered "I" joists
- Suitable for 2" x 8" constructions
- Available in lighted and non-lighted models

### SPECIFICATIONS

MODEL	FUNCTION	CFM AT 0.1" SP*	L/s** AT 0.1" SP	CFM AT 0.25" SP	SONES AT 0.1" SP	POWER RATING	WATTS AT 0.1" SP	SHIPPING WEIGHT (POUNDS)
QTXEN050C	Fan	50	23.6	39	<0.3	120/60	19.7	12.8
QTXEN080C	Fan	80	37.8	55	0.3	120/60	23.3	12.8
QTXEN090C	Fan	90	42.5	68	0.6	120/60	26.4	12.8
QTXEN110C	Fan	110	51.9	90	0.9	120/60	33.5	12.4
QTXEN150C	Fan	150	70.8	118	1.4	120/60	51.3	12.4
QTXEN090FLC	Fan-Light	90	42.5	68	0.7	120/60	26.4	16.2
QTXEN110FLC	Fan-Light	110	51.9	90	0.9	120/60	33.5	15.8
QTXEN150FLC	Fan-Light	150	70.8	118	1.4	120/60	51.3	16.2
QTXEN110H	Sensing	110	51.9	90	0.7	120/60	33.5	12.8

\* Static pressure  
\*\* Litres per second



Dimensions shown are in inches.



866178B