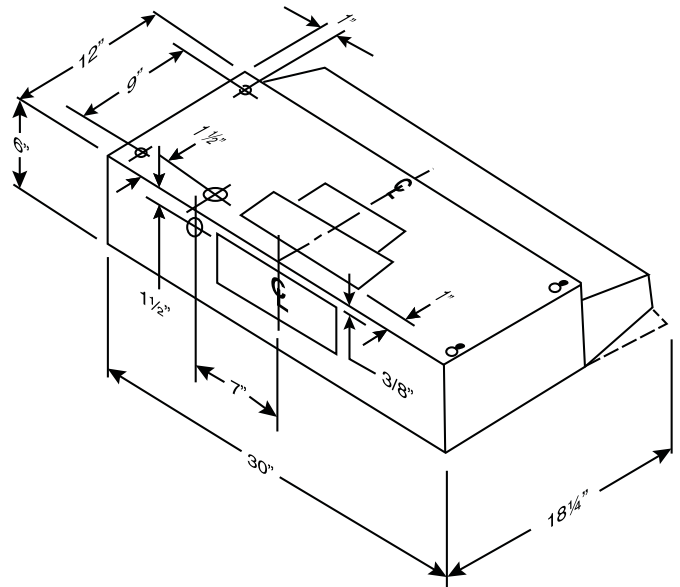


SPECIFICATIONS

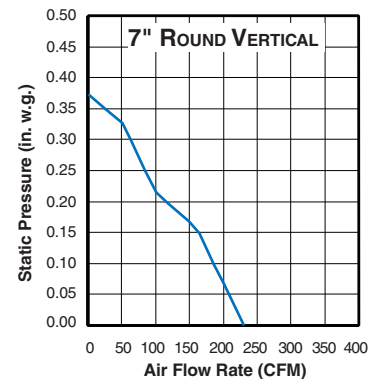
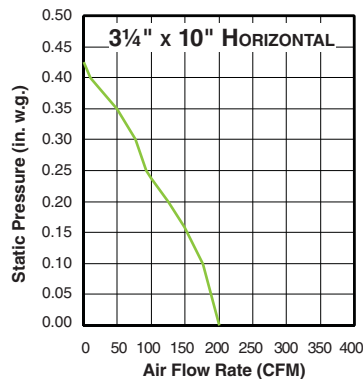
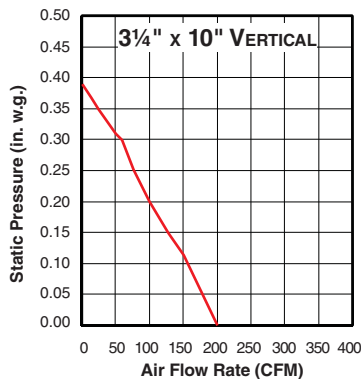
MODEL	HDN64 SERIES
VOLTS	120 VAC
HZ	60
AMPS	1.7
CFM (VERTICAL)	180
CFM (HORIZONTAL)	180
CFM (7" ROUND)	210
SONES (VERTICAL)	7.5
SONES (HORIZONTAL)	7.0
SONES (7" ROUND)	7.0
DUCTING SIZE*	3 1/4" x 10" OR 7" ROUND
1 INCANDESCENT BULB	75 W
WARRANTY	1 YEAR

*NON DUCTED REQUIRES CHARCOAL FILTER MODEL FKM65 (SOLD SEPARATELY).

DIMENSIONS



AIR FLOW PERFORMANCE



HVI-2100 CERTIFIED RATINGS comply with new testing technologies and procedures prescribed by the Home Ventilating Institute, for off-the-shelf products, as they are available to consumers. Product performance is rated at 0.1 in. (2.54 mm) static pressure, based on tests conducted in a state-of-the-art test laboratory. Sones are a measure of humanly-perceived loudness, based on laboratory measurements.



BROAN-NU-TONE CANADA INC., MISSISSAUGA, ONTARIO WWW.NUTONE.CA 1-888-882-7626

PROJECT	REMARKS
LOCATION	
MODEL No.	
QTY.	
SUBMITTED BY	
DATE	