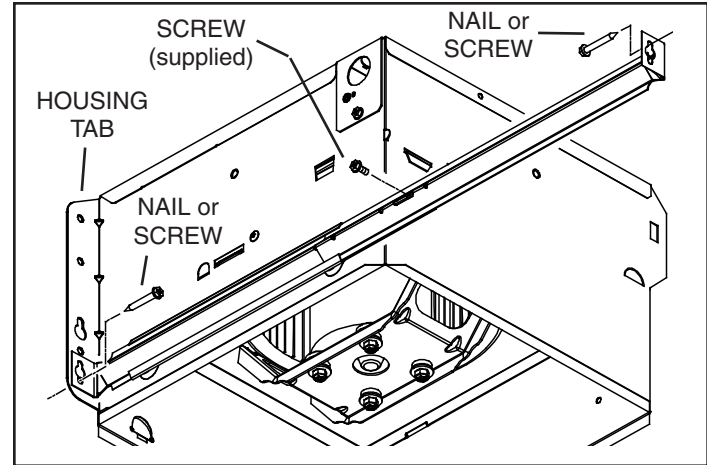
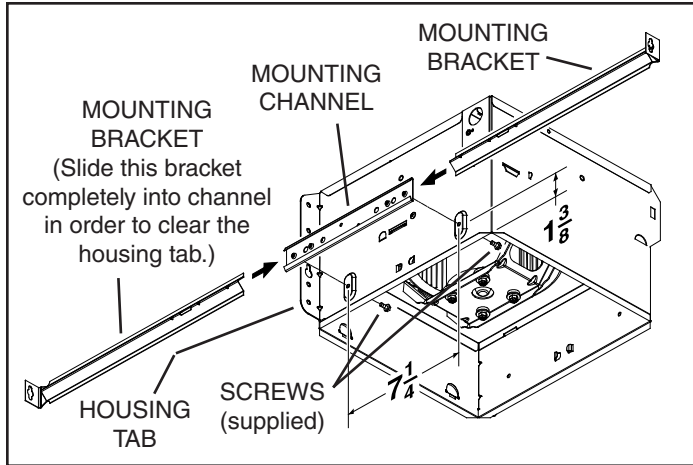


# Mounting Channel / Brackets Installation on QT Series Fans and Fan/Lights



1. Slide the MOUNTING BRACKETS into the MOUNTING CHANNEL.
2. Attach the MOUNTING CHANNEL to the housing using the screws supplied.

NOTE: If holes are not already in housing, drill (2)  $\frac{3}{16}$ " diameter holes at locations shown.

3. NAIL or SCREW the brackets to the ceiling framing (joists, trusses, etc.).

NOTE: Slide one MOUNTING BRACKET against the HOUSING TAB and nail or screw through the bracket and tab and into the framing.

4. Use a screw (supplied) to secure the mounting brackets together.

99043738A