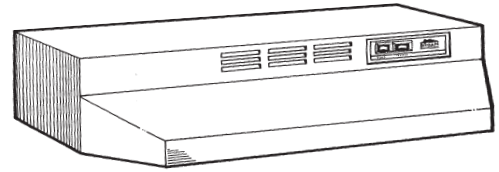


43000 SERIES RANGE HOOD



Choose this 4-way convertible hood for round and rectangular ducted, as well as non-ducted configurations.

FEATURES

- 4-way convertible - can be ducted using 7" round or 3¼" x 10" steel ductwork or installed non-ducted
- Includes 3¼" x 10" damper (7" round – purchase Model BP87Q damper)
- Max blower airflow: 260†
- 115 V, 60 Hz, 1.8 Amps
- Includes washable aluminum filter with light lens (non-ducted filter purchased separately)
- Two-speed rocker switch controls fan
- 15-Watt maximum LED light (A19, E26 base) controlled by single rocker switch
- Finished with durable, environmentally friendly, advanced technology powder coating
- All edges hemmed for safety and strength
- Available in 30" and 36" widths in White-on-White, Black-on-Black, Biscuit-on-Biscuit, and Stainless Steel finishes

† Max. blower CFM indicates the performance of the hood blower in open air and is not HVI certified.



TYPICAL SPECIFICATION

The range hood shall be a Broan 43000 Series.

Hood to be 30" (36") in width and finished with White (Black) (Biscuit) powder-coat or constructed of stainless steel. All exposed edges to be hemmed.

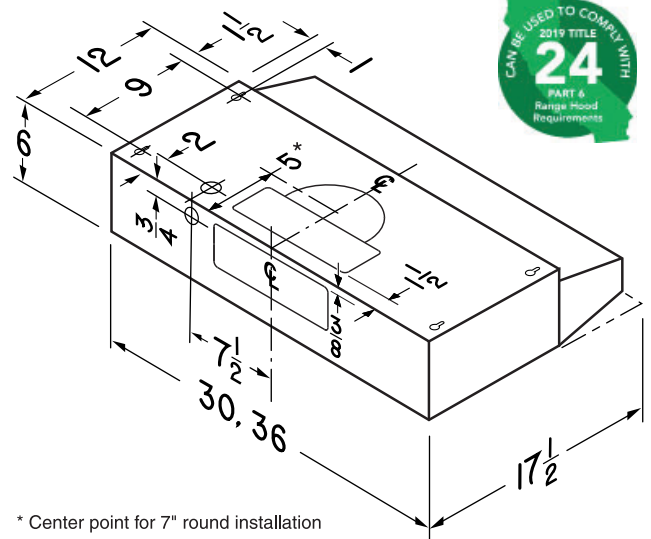
Range hood will be convertible between 7" round, 3¼" x 10" rectangular (vertical or horizontal), and non-ducted discharges. A 3¼" x 10" damper to be included.

Hood shall have a washable aluminum filter and covered light. LED light bulb to be 20 watts maximum.

Range hood to be controlled with two-speed rocker switch for fan and single rocker switch for light.

See below table for airflow and sound level performances.

Range hood shall be U.L. listed.



* Center point for 7" round installation

Broan-NuTone LLC, 926 West State Street, Hartford, Wisconsin, USA 53027 broan-nutone.com 800-558-1711

REFERENCE	QTY.	REMARKS	Project
			Location
			Architect
			Engineer
			Contractor
			Submitted by
			Date

HVI PERFORMANCE

Duct Orientation	Size	Damper	Sones		CFM		
			Normal	High	Normal	High 0.25 in. w.g.	High 0.1 in. w.g.
Vertical - Rectangular	3¼ in. x 10 in.	Included	2.0	6.0	100	105	190
Horizontal - Rectangular	3¼ in. x 10 in.	Included	2.0*	7.0	90*	105	160
Vertical - Round	7 in.	Sold separately	2.0	6.0	130	100	240



HVI-2100 CERTIFIED RATINGS comply with new testing technologies and procedures prescribed by the Home Ventilating Institute, for off-the-shelf products, as they are available to consumers. Product performance is rated at 0.1 in. static pressure, based on tests conducted in a state-of-the-art test laboratory. Sones are a measure of humanly-perceived loudness, based on laboratory measurements.

* Where noted performance rating is not HVI certified but was established in accordance with HVI Standardized test procedure.