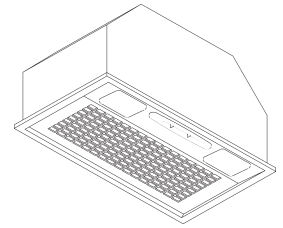


# POWER MODULE

REGISTER YOUR PRODUCT ONLINE AT [www.broan.com/register](http://www.broan.com/register)



## READ AND SAVE THESE INSTRUCTIONS

### ⚠ INTENDED FOR DOMESTIC COOKING ONLY ⚠

#### ⚠ WARNING

##### **TO REDUCE THE RISK OF FIRE, ELECTRIC SHOCK, OR INJURY TO PERSONS, OBSERVE THE FOLLOWING:**

1. Use this unit only in the manner intended by the manufacturer. If you have questions, contact the manufacturer at the address or telephone number listed in the warranty.
2. Before servicing or cleaning unit, switch power off at service panel and lock service panel to prevent power from being switched on accidentally. When the service disconnecting means cannot be locked, securely fasten a prominent warning device, such as a tag, to the service panel.
3. Installation work and electrical wiring must be done by a qualified person(s) in accordance with all applicable codes and standards, including fire-rated construction codes and standards.
4. Sufficient air is needed for proper combustion and exhausting of gases through the flue (chimney) of fuel burning equipment to prevent backdrafting. Follow the heating equipment manufacturer's guidelines and safety standards such as those published by the National Fire Protection Association (NFPA), and the American Society for Heating, Refrigeration and Air Conditioning Engineers (ASHRAE), and the local code authorities.
5. When cutting or drilling into wall or ceiling, do not damage electrical wiring and other hidden utilities.
6. Ducted fans must always be vented to the outdoors.
7. Do not use this unit with any separate solid-state speed control device.
8. To reduce the risk of fire, use only metal ductwork.
9. This unit must be grounded.

##### **TO REDUCE THE RISK OF A RANGE TOP GREASE FIRE:**

- A. Never leave surface units unattended at high settings. Boilovers cause smoking and greasy spillovers that may ignite. Heat oils slowly on low or medium settings.
- B. Always turn hood ON when cooking at high heat or when flambing food (i.e. Crepes Suzette, Cherries Jubilee, Peppercorn Beef Flambe').
- C. Clean ventilating fans frequently. Grease should not be allowed to accumulate on fan or filter.
- D. Use proper pan size. Always use cookware appropriate for the size of the surface element.

#### ⚠ WARNING

##### **TO REDUCE THE RISK OF INJURY TO PERSONS IN THE EVENT OF A RANGE TOP GREASE FIRE, OBSERVE THE FOLLOWING:\***

1. **SMOTHER FLAMES** with a close-fitting lid, cookie sheet, or metal tray, then turn off the burner. **BE CAREFUL TO PREVENT BURNS.** If the flames do not go out immediately, **EVACUATE AND CALL THE FIRE DEPARTMENT.**
2. **NEVER PICK UP A FLAMING PAN** - You may be burned.
3. **DO NOT USE WATER**, including wet dishcloths or towels - violent steam explosion will result.
4. Use an extinguisher **ONLY** if:
  - A. You know you have a Class ABC extinguisher and you already know how to operate it.
  - B. The fire is small and contained in the area where it started.
  - C. The fire department is being called.
  - D. You can fight the fire with your back to an exit.

\* Based on "Kitchen Fire Safety Tips" published by NFPA.

#### ⚠ CAUTION

1. For indoor use only.
2. To reduce risk of fire and to properly exhaust air, be sure to duct air outside. Do not vent exhaust air into spaces within walls or ceilings or into attics, crawl spaces, or garages.
3. Take care when using cleaning agents or detergents.
4. Avoid using food products that produce flames under the Range Hood.
5. For general ventilating use only. Do not use to exhaust hazardous or explosive materials and vapors.
6. To avoid motor bearing damage and noisy and/or unbalanced impellers, keep drywall spray, construction dust, etc. off power unit.
7. Your hood motor has a thermal overload which will automatically shut off the motor if it becomes overheated. The motor will restart when it cools down. If the motor continues to shut off and restart, have the hood serviced.
8. For best capture of cooking impurities, the bottom of the hood should be a minimum of 24" and a maximum of 30" above the cooking surface.
9. Two installers are recommended.
10. This product is equipped with a thermostat which may start blower automatically. To reduce the risk of injury and to prevent power from being switched on accidentally, switch power off at service panel and lock or tag service panel.
11. Please read specification label on product for further information and requirements.

## INSTALL THE DUCTWORK

**NOTE: To reduce the risk of fire, use only metal ductwork.**

1. Decide where the ductwork will run between the hood and the outside (Refer to Figure 1).
2. A straight, short duct run will allow the hood to perform most efficiently.
3. Long duct runs, elbows, and transitions will reduce the performance of the hood. Use as few of them as possible. Larger ducting may be required for best performance with longer duct runs.
4. Install a roof or wall cap. Connect round metal ductwork to cap and work back towards hood location. Use duct tape to seal the joints between ductwork sections.

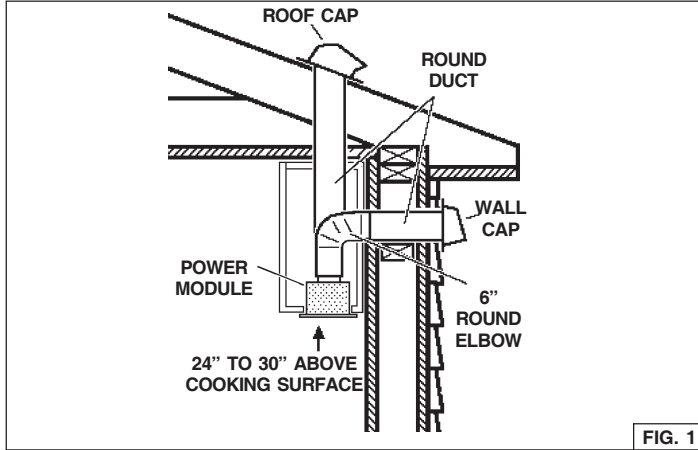


FIG. 1

## INSTALL THE HOOD

**NOTE:** the hood has to be installed, inside the cabinet, at minimum 1" from the rear wall cabinet and at 3" from the front wall cabinet.

The internal height of cabinet has to be minimum 16".

The hood should be mounted centered over the cook top burners.

1. Remove the grid by moving the 2 slide fasteners "A" forward (Fig.2).
2. Cut a hole in the bottom of the cabinet, using the dimensions shown (Fig. 3).
3. Adjust the position of the clasping side spring by means of the proper "B" screw according to the thickness of the bored panel to which it is going to be anchored (Fig. 4).
4. **NOTE:** For installations where the Power Pack is less than 30" above cook top, it is recommended that the Power Pack be mounted into a metal liner or non-combustible material. This will allow easier cleaning and provide protection to the cabinetry (Fig.5A).
5. Insert the hood in the cabinet and lock it by means of the side spring.
6. Insert the hood in the cabinet (Fig. 5) or metal liner (Fig. 5A) and secure with the (4) "C" mounting sheet metal screws.  
(Fig. 5 - wood bottom installation; recommended thickness 1/2"-3/4").  
(For alternate mounting, use machine screws with washers and nuts. This alternate mounting method needs to be done prior to installation of metal liner).
7. In the Non-Ducted Recirculation Configuration, install the Non-ducted recirculation Filter before replacing the grid (see section "Non-ducted recirculation filter installation").
8. Replace the grid.

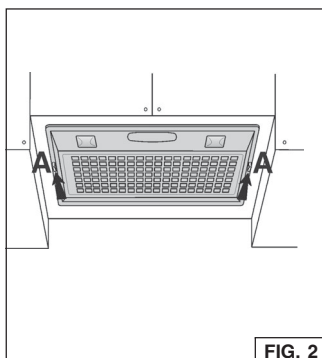


FIG. 2

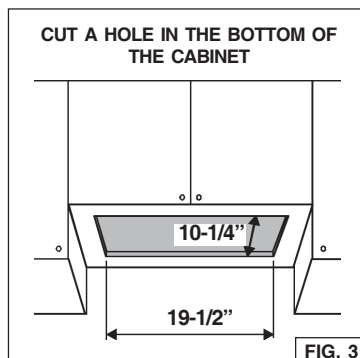


FIG. 3

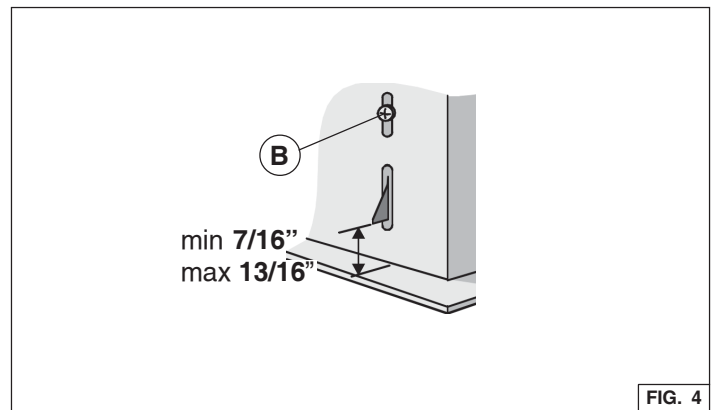


FIG. 4

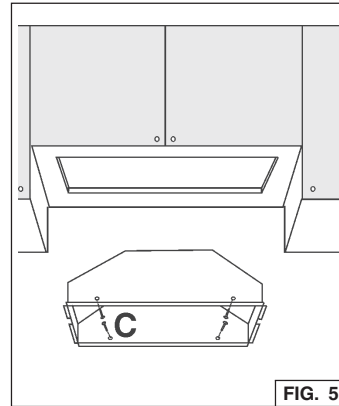


FIG. 5

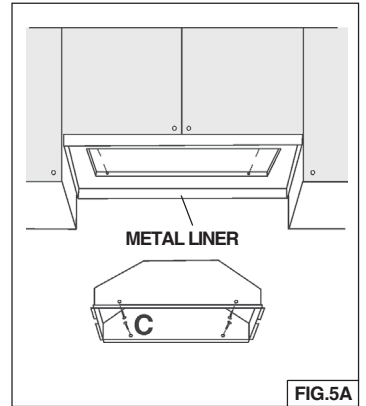


FIG. 5A

## CONNECT DUCTWORK

### Ducted Configuration

1. Take the **damper** and assemble it onto the hood's discharge opening, pressing slightly.
2. Use **6" round metal duct** to connect the discharge collar on the hood to the ductwork above.
3. Use **duct tape** to make all joints secure and air tight.

### Non-Ducted Recirculation Configuration

1. Connect a **6" round metal duct** to the discharge opening so that the air is sent outside the cabinet and sent back into the room.
2. Use **duct tape** to make all joints secure and air tight.

## NON-DUCTED RECIRCULATION FILTER INSTALLATION

1. Remove the metal wires (Fig. 9) and discard them.
2. Install the Non-ducted recirculation filter over the grease filter and secure it with the metal wires supplied with the Non-ducted recirculation Filter (Fig. 6).

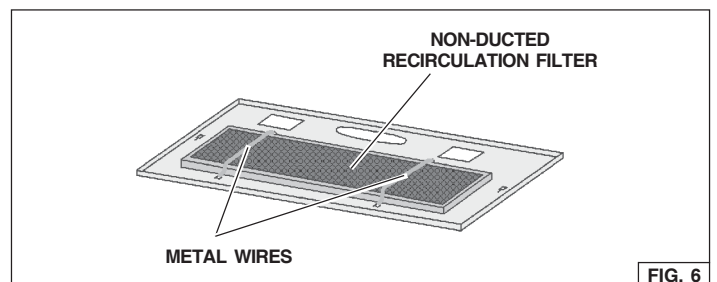


FIG. 6

## WIRING

**Note:** This range hood must be properly grounded.

The unit should be installed by a qualified electrician in accordance with all applicable national and local electrical codes.

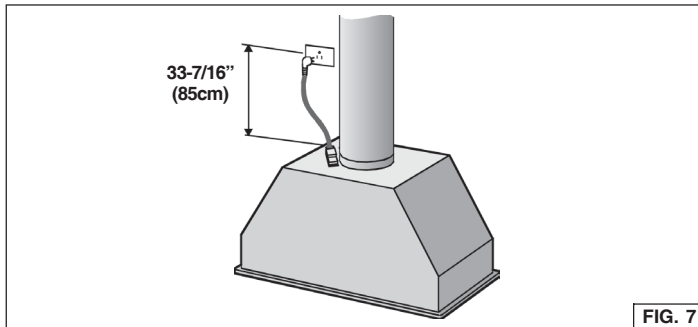
### GROUNDING INSTRUCTIONS

This appliance must be grounded. In the event of an electrical short circuit, grounding reduces the risk of electric shock by providing an escape wire for the electric current. This appliance is equipped with a cord having a grounding wire with a grounding plug. The plug must be plugged into an outlet that is properly installed and grounded.

**WARNING** - Improper grounding can result in a risk of electric shock. Consult a qualified electrician if the grounding instructions are not completely understood, or if doubt exists as to whether the appliance is properly grounded.

Do not use an extension cord. If the power supply cord is too short, have a qualified electrician install an outlet near the appliance. Position the electrical outlet at a maximum distance of 33-7/16" (85 cm) from where the lead exits from the hood (see illustration alongside).

Fit the plug into the outlet.



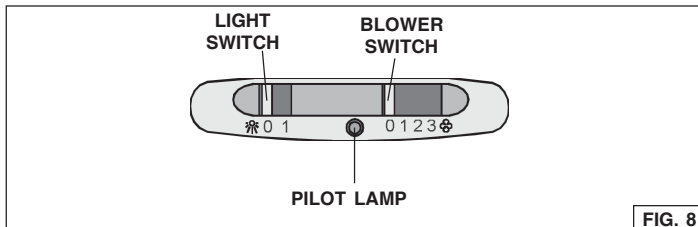
## OPERATION

### Controls

The **light switch** turns the lamps on and off.

The **blower switch**: makes it possible to select the motor operating speed. Position 0: motor off.

The **pilot lamp** lights up whenever the blower is on.



### HEAT SENTRY™

Your hood is equipped with a HEAT SENTRY™ thermostat.

This thermostat is a device that will turn on or speed up the blower if it senses excessive heat above the cooking surface.

1) If blower is OFF - it turns blower ON to HIGH speed.

2) If blower is ON at a lower speed setting - it turns blower up to HIGH speed.

When the temperature level drops to normal, the blower will return to its original setting.

### WARNING

The HEAT SENTRY thermostat can start the blower even if the hood is turned OFF. When this occurs, it is impossible to turn the blower OFF with its switch. If you must stop the blower, do it from the main electrical panel.

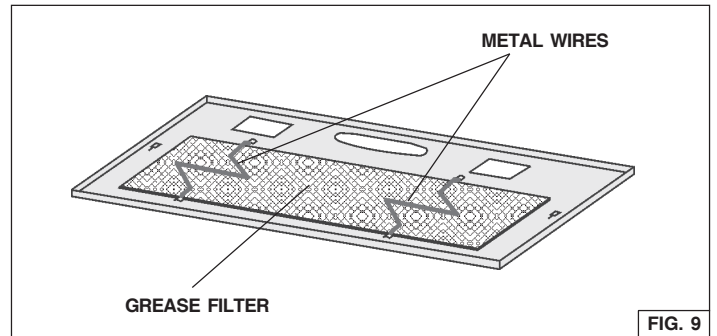
## MAINTENANCE

**ALWAYS SWITCH OFF THE ELECTRICITY SUPPLY BEFORE CARRYING OUT ANY OPERATIONS ON THE APPLIANCE.**

### Grease Filter

The **grease filter** should be cleaned frequently. Use a warm detergent solution. Grease filter is dishwasher safe.

To remove the grease filter: remove the grid by moving the 2 slide fasteners "A" (Fig. 2); remove the metal wires and then the grease filter (Fig. 9).



### Non-Ducted Recirculation Filter

The Non-Ducted Recirculation filter should be changed every 6 months.

To remove the Non-Ducted Recirculation filter:

1. Remove the grid by moving the 2 side fasteners "A" (Fig. 2).
2. Remove the metal wires (Fig. 6) and replace the Non-ducted recirculation Filter.

### Cleaning

Occasional care will help preserve its fine appearance.

- Clean with warm water and mild detergent only.
- Follow all cleaning by rinsing with clear water.
- Wipe dry with clean, soft cloth.

### Light bulbs

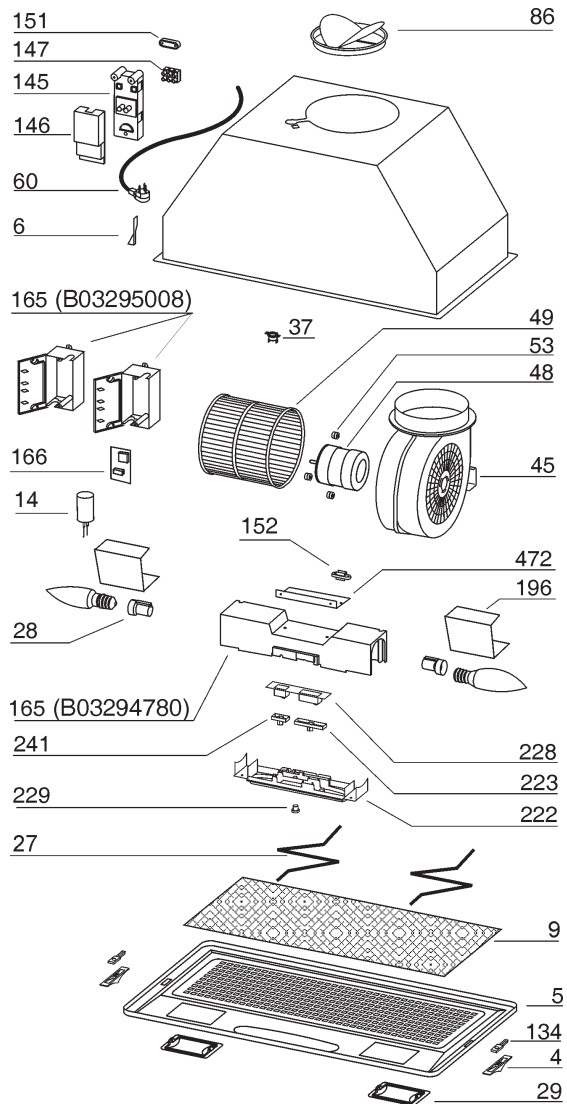
This range hood requires two 40-Watt light bulbs (not included).

To change bulbs:

1. Remove the grid by moving the 2 slide fasteners (A).
2. Replace with light bulbs of the same type (MAX 40W, 120V, Candelabra Base Bulb). CAUTION: BULB MAY BE HOT!

## SERVICE PARTS

KEY NO.	PART NO.	DESCRIPTION
4	B03295038	Side Fastener
5	B03127682	Grid
6	B02011013	Spring
9	B08087922	Grease Filter
14	B02300233	Condenser
27	B02011155	Metal Wires
28	B02300280	Lampholder
29	B03293051	Light Fitting
37	B02300787	Heat Sentry
45	BW0000019	Blower
48	B02310203	Motor
49	B03295076	Blower Wheel
53	B03204177	Rubber Washer
60	B02300249	Feeder Cable
86	B08088378	Damper
134	B03295039	Grid Stop
145	B032920170	Wiring Box
146	B032920180	Wiring Box Cover
147	BR2300132	Terminal Block
151	B032920200	Wire Clamp
152	B03292200	Wire Clamp
165	B03294780	Controls Box
165	B03295008	Box Condenser
166	B08086668	Heat Sentry Board
196	BE3348672	Reflector
222	B03295040	Control Box Cover
223	B03295042	Blower Switch
228	B08086285	Controls Board
229	B03201014	Pilot Lamp
241	B03295041	Light Switch
472	BE3344843	Controls Bracket
998	B080810782	Hardware Package
AQI	B06108860	Switch box Assembly (Included Key No. 165, 228, 28, 222, 152, 241, 223, 202, 229)
CAS	B06002013	Blower Assembly (Included Key No. 45, 48, 49, 53) "40 Watt Max.Candelabra Bulbs not included"
-	-	Bulbs not included"
-	B08999040	Non-Ducted Filter Kit (purchased separately)



## WARRANTY

### BROAN-NUTONE LLC ONE YEAR LIMITED WARRANTY

Broan-NuTone LLC (Broan-NuTone) warrants to the original consumer purchaser of Broan products that such products will be free from defects in materials or workmanship for a period of one year from the date of original purchase. THERE ARE NO OTHER WARRANTIES, EXPRESS OR IMPLIED, INCLUDING, BUT NOT LIMITED TO, IMPLIED WARRANTIES OR MERCHANTABILITY OR FITNESS FOR A PARTICULAR PURPOSE.

During this one-year period, Broan-NuTone will, at its option, repair or replace, without charge, any product or part which is found to be defective under normal use and service.

THIS WARRANTY DOES NOT EXTEND TO FLUORESCENT LAMP STARTERS, TUBES, HALOGEN AND INCANDESCENT BULBS, FUSE, FILTERS, DUCTS, ROOF CAPS, WALL CAPS AND OTHER ACCESSORIES FOR DUCTING. This warranty does not cover (a) normal maintenance and service or (b) any products or parts which have been subject to misuse, negligence, accident, improper maintenance or repair (other than by Broan-NuTone), faulty installation or installation contrary to recommended installation instructions. The duration of any implied warranty is limited to the one-year period as specified for the express warranty. Some states do not allow limitation on how long an implied warranty lasts, so the above limitation may not apply to you.

BROAN-NUTONE'S OBLIGATION TO REPAIR OR REPLACE, AT BROAN-NUTONE'S OPTION, SHALL BE THE PURCHASER'S SOLE AND EXCLUSIVE REMEDY UNDER THIS WARRANTY. BROAN-NUTONE SHALL NOT BE LIABLE FOR INCIDENTAL, CONSEQUENTIAL OR SPECIAL DAMAGES ARISING OUT OF OR IN CONNECTION WITH PRODUCT USE OR PERFORMANCE. Some states do not allow the exclusion or limitation of incidental or consequential damages, so the above limitation or exclusion may not apply to you.

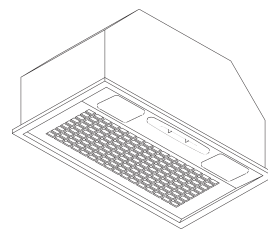
This warranty gives you specific legal rights, and you may also have other rights, which vary from state to state. This warranty supersedes all prior warranties.

To qualify for warranty service, you must (a) notify Broan-NuTone at the address stated below or telephone number stated below, (b) give the model number and part identification and (c) describe the nature of any defect in the product or part. At the time of requesting warranty service, you must present evidence of the original purchase date.

In USA - Broan NuTone LLC, 926 W. State Street, Hartford, WI 53027 (800-558-1711)  
 In Canada - Broan NuTone Canada, 550 Lemire Blvd., Drummondville, QC J2C 7W9 (866-737-7770)  
[www.Broan.com](http://www.Broan.com)

## MODULE DE HOTTE ENCASTRABLE

ENRÉGISTER VOS PRODUITS ONLINE À [www.broan.com/register](http://www.broan.com/register)



### LISEZ ET CONSERVEZ CES INSTRUCTIONS

#### ⚠️ POUR UTILISATION DOMESTIQUE SEULEMENT ⚠️

#### ⚠️ ⚠️ AVERTISSEMENT

**AFIN DE RÉDUIRE LES RISQUES D'INCENDIE, D'ÉLECTROCUTION OU DE BLESSURES CORPORELLES, OBSERVEZ LES INSTRUCTIONS SUIVANTES :**

- N'utilisez cet appareil que de la façon prévue par le constructeur. Si vous avez des problèmes, contactez le fabriquant à l'adresse ou au numéro de téléphone indiqués dans la garantie.
- Avant de nettoyer ou de réparer l'appareil, coupez le courant au panneau d'alimentation et verrouillez-en l'accès afin d'éviter sa remise en marche accidentelle. Si le panneau d'alimentation ne peut être verrouillé, apposez un avertissement bien en évidence, par exemple une étiquette de couleur vive.
- Les travaux d'installation et de raccordement électrique doivent être effectués par du personnel qualifié en respectant les normes et règlements en vigueur, y compris les normes et codes de bâtiment en matière de prévention d'incendie.
- Une circulation d'air efficace est requise afin d'assurer la combustion et l'évacuation complète des gaz par la cheminée des équipements à combustion pour prévenir les retours de cheminée. Conformez-vous aux instructions et aux standards de sécurité des manufacturiers d'équipement de chauffage, tels qu'ils sont publiés par la *National Fire Protection Association (NFPA)* et l'*American Society for Heating, Refrigeration and Air Conditioning Engineers (ASHRAE)* ainsi que les responsables des codes locaux.
- Lorsque vous coupez ou percez un mur ou un plafond, prenez garde de ne pas endommager les fils électriques ou autre installation qui pourraient y être dissimulés.
- Les conduits de l'installation doivent toujours évacuer l'air à l'extérieur.
- N'utilisez pas cet appareil avec une autre commande de vitesse à semi-conducteur.
- Pour réduire les risques d'incendie, n'utilisez que des conduits en métal.
- Cet appareil doit être relié à une mise à la terre.

#### POUR RÉDUIRE LES RISQUES DE FEU DE CUISINIÈRE :

- Ne laissez jamais les appareils de cuisson sans surveillance lorsqu'ils sont réglés à feu vif. Les débordements engendrent de la fumée et des déversements graisseux pouvant s'enflammer. Chauffez l'huile lentement, à feu doux ou moyen.
- Mettez toujours le module en marche lorsque vous cuisinez à feu vif ou que vous cuisinez des mets flambés (par ex. : crêpes Suzette, cerises jubilé, steak au poivre flambé).
- Nettoyez régulièrement la roue du moteur de ventilateur. Ne laissez pas la graisse s'accumuler sur le ventilateur ou le filtre.
- Utilisez le bon format de casserole. Servez-vous toujours d'ustensiles de cuisson appropriés à la dimension de la surface chauffante.

#### ⚠️ ⚠️ AVERTISSEMENT

**AFIN D'ÉVITER TOUS RISQUES DE BLESSURE LORS D'UN FEU DE CUISINIÈRE, OBSERVEZ LES INSTRUCTIONS SUIVANTES\* :**

- ÉTOUFFEZ LES FLAMMES à l'aide d'un couvercle le plus hermétique possible, une plaque à biscuits ou un plateau en métal, puis éteignez le brûleur. ATTENTION de NE PAS VOUS BRÛLER. Si les flammes ne s'éteignent pas immédiatement, SORTEZ ET APPELEZ LES POMPIERS.
- NE PRENEZ JAMAIS EN MAIN UNE POÊLE OU UNE CASSEROLE QUI A PRIS FEU - vous pourriez vous brûler.
- N'UTILISEZ PAS D'EAU, ni de torchons ou de serviettes mouillés - vous provoqueriez une violente explosion de vapeur.
- Utilisez un extincteur SEULEMENT LORSQUE :
  - Vous savez qu'il s'agit d'un extincteur de classe ABC et que vous en connaissez le fonctionnement.
  - L'incendie est petit et limité à l'endroit où il a débuté.
  - Les pompiers ont été avisés.

D. Vous pouvez combattre l'incendie en ayant accès à une sortie de secours.

\* Tirées du *Kitchen Fire Safety Tips* publié par la NFPA.

#### ⚠️ ATTENTION

- Pour usage intérieur seulement.
- Afin de réduire les risques d'incendie et d'évacuer correctement l'air, assurez-vous d'évacuer l'air à l'extérieur. N'évacuez pas l'air dans des espaces clos comme l'intérieur des murs ou d'un plafond, dans le grenier, faux-plafond ou garage.
- Faites très attention lors de l'utilisation de produits nettoyants ou de détergents.
- Évitez d'utiliser sous le module des produits alimentaires pouvant s'enflammer.
- N'utilisez cet appareil que pour une ventilation générale. Ne l'utilisez pas pour évacuer des matières ou des vapeurs dangereuses ou explosives.
- Pour éviter de causer des dommages au moteur et de rendre les rotors bruyants et/ou non équilibrés, gardez votre appareil à l'abri des poussières de gypse et de construction ou de rénovation, etc.
- Le moteur de votre module possède une protection thermique qui éteindra automatiquement le moteur s'il devient surchauffé. Il redémarrera automatiquement une fois refroidi. Si le moteur continue à s'éteindre et à se remettre en marche, faites vérifier votre module.
- Pour une meilleure évacuation des odeurs de cuisson, le bas de votre module devrait être à un minimum de 24 po et à un maximum de 30 po au-dessus de la surface de cuisson.
- Il est recommandé de confier l'installation de ce module à deux personnes.
- Ce module ne doit être utilisé qu'avec un ensemble de cordon d'alimentation approuvé.
- Nous vous recommandons de lire l'étiquette indiquant les caractéristiques de votre module pour de plus amples renseignements et exigences.

## INSTALLATION DU SYSTÈME DE CONDUITS

**NOTE :** Pour réduire les risques d'incendie, n'utilisez que des conduits en métal.

1. Déterminer par où passera le conduit, entre votre module et l'extérieur (Réf Figure 1).
2. Un conduit droit et court permettra à votre module de fonctionner plus efficacement.
3. Un conduit long avec des coudes et des transitions réduira la performance de votre module. En utiliser le moins possible. Pour une grande distance, il faut un conduit d'évacuation d'air au diamètre plus grand.
4. Installer un capuchon de toit ou de mur. Relier le conduit circulaire en métal au capuchon, puis acheminer le conduit jusqu'à l'emplacement du module. Sceller hermétiquement les raccords à l'aide de ruban à conduits.

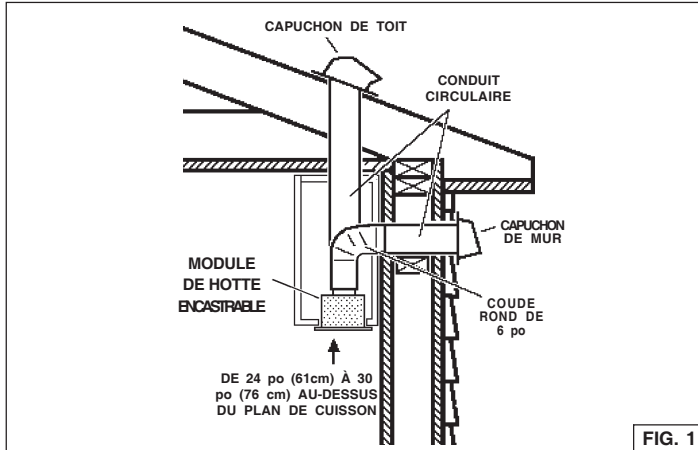


FIG. 1

## INSTALLATION DU MODULE

**NOTE :** le module doit être installé à l'intérieur de l'armoire à un minimum de 1 po (25 mm) du mur arrière de l'armoire et à 3 po (76 mm) de la partie avant de l'armoire.

La hauteur interne minimale de l'armoire doit être de 16 po (406 mm).

Le module doit être installé au centre, au-dessus de la surface de cuisson.

1. Retirer la grille en faisant glisser les deux loquets latéraux « A » (Fig. 2).
2. Découper un trou au bas de l'armoire selon les dimensions indiquées à la Fig. 3.
3. Régler la position du ressort de fixation latéral avec la vis « B » correspondante en fonction de l'épaisseur du bas de l'armoire découpé qui servira de support pour la fixation (Fig.4).
4. **NOTE :** Pour les installations où le module se trouve à moins de 30 po au-dessus du plan de cuisson, il est recommandé de le monter dans un revêtement d'armoire en métal ou dans un matériau incombustible. Cette précaution facilitera le nettoyage et protégera l'armoire (Fig. 5A).
5. Encastrer le module dans l'armoire et le fixer à l'aide du ressort latéral.
6. Placer la hotte dans le meuble (Fig. 5) ou dans la gaine en métal (Fig. 5A) et la fixer à l'aide (4) des vis « C » de montage pour tôle.  
(Fig. 5 – installation arrière en bois – épaisseur recommandée 1/2"-3/4").  
(Pour un montage alternatif, utiliser des vis d'assemblage avec des rondelles et des écrous. Cette méthode de montage alternative doit être faite avant l'installation de la gaine métallique).
7. Pour une configuration à recirculation, installer le filtre à charbon avant de réinstaller la grille (voir la section « Installation du filtre à charbon »).

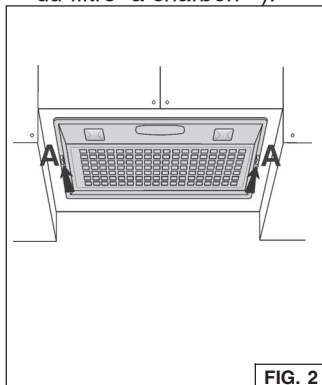


FIG. 2

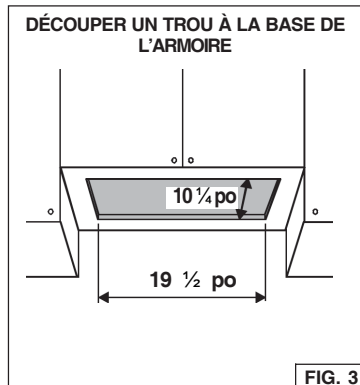


FIG. 3

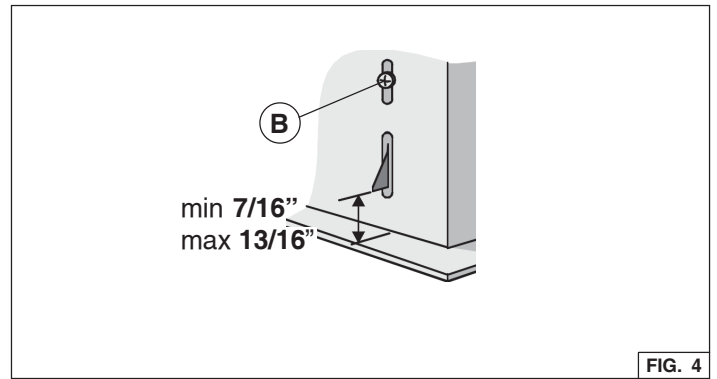


FIG. 4

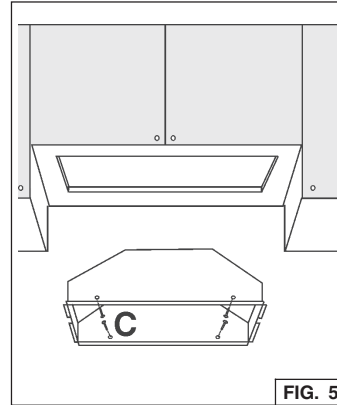


FIG. 5

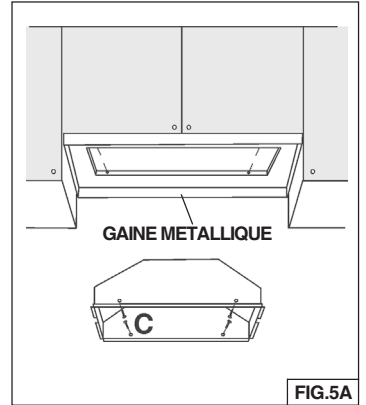


FIG.5A

## BRANCHEMENT DU RACCORD DE CONDUITS

### Hottes à évacuation

1. Installer le **clapet** sur la bouche de sortie d'air de la hotte en exerçant une légère pression.
2. À l'aide d'un **conduit circulaire de 6 po en métal**, relier le collier d'évacuation du module au système d'évacuation.
3. Sceller hermétiquement les raccords à l'aide de **ruban à conduits**.

### Hottes à recirculation

1. Relier un **conduit circulaire de 6 po en métal** à la bouche d'évacuation pour que l'air soit évacué hors de l'armoire et retourné dans la pièce.
2. Sceller hermétiquement les raccords à l'aide de **ruban à conduits**.

## INSTALLATION DU FILTRE À CHARBON

1. Enlever les fils métalliques (Fig. 9) et s'en défaire.
2. Installer le filtre à charbon par-dessus le filtre à graisses et le tenir en place au moyen des fils métalliques fournis avec le filtre à charbon (Fig. 6).

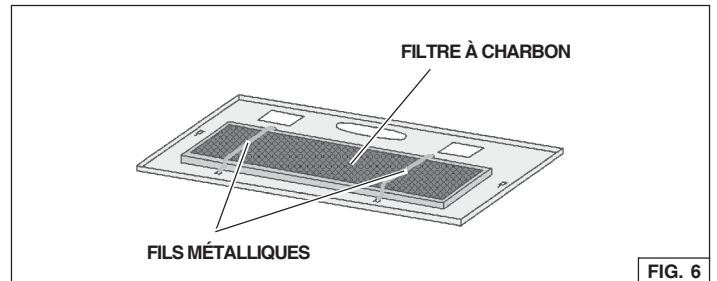


FIG. 6

## INSTALLATION ÉLECTRIQUE

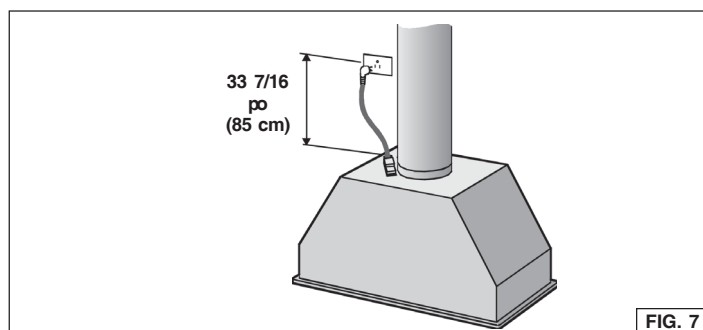
**Note : ce modèle de module doit être correctement relié à la terre. Cet appareil devrait être installé par un électricien conformément aux normes locales et nationales en matière d'électricité.**

### INSTRUCTIONS POUR LA MISE À LA TERRE

Cet appareil doit être relié à la terre. En cas de court-circuit électrique, la mise à la terre réduit le risque d'électrocution en fournissant un câble d'évacuation du courant. Cet appareil est muni d'un cordon équipé d'un câble de mise à la terre avec fiche de mise à la terre. La fiche doit être branchée dans une prise de courant correctement installée et mise à la terre.

**AVERTISSEMENT :** Une mise à la terre incorrecte peut entraîner un risque d'électrocution. Consulter un électricien si les instructions de mise à la terre ne sont pas tout à fait compréhensibles ou si un doute persiste quant à savoir si l'appareil est correctement relié à la terre. Ne pas utiliser de rallonge électrique. Si le cordon d'alimentation est trop court, demander à un électricien d'installer une prise de courant près de l'appareil.

Placer la prise électrique à une distance maximale de 33 7/16 po (85 cm) de l'endroit où le fil sort du module (voir l'illustration ci-dessous). Brancher la fiche dans la prise.



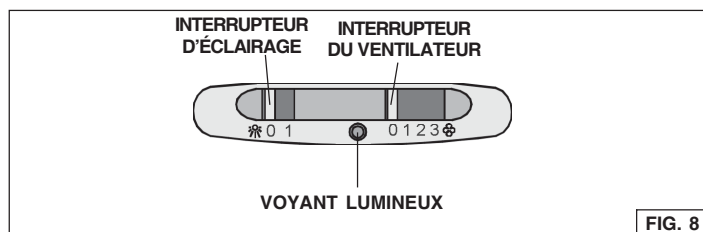
## FONCTIONNEMENT

### Commandes

L'**interrupteur d'éclairage** allume et éteint les lampes.

L'**interrupteur du ventilateur** permet de sélectionner la vitesse de fonctionnement. Position 0 : ventilateur arrêté.

Le **voyant lumineux** s'allume quand le moteur fonctionne.



### HEAT SENTRY<sup>MC</sup>

Votre hotte est munie d'un thermostat HEAT SENTRY<sup>MC</sup>. Ce thermostat est un dispositif qui actionnera ou augmentera la vitesse du ventilateur s'il détecte une chaleur excessive au-dessus de la surface de cuisson.

1) Si le ventilateur EST ARRÊTÉ, il actionnera le ventilateur en HAUTE VITESSE.

2) Si le ventilateur EST EN MARCHÉ à basse vitesse, le ventilateur passera en HAUTE VITESSE.

Lorsque la température revient à la normale, le ventilateur retourne à sa configuration d'origine.

### AVERTISSEMENT

Le thermostat HEAT SENTRY<sup>MC</sup> peut activer le ventilateur même si le module est arrêté. Si tel est le cas, il est impossible d'arrêter le ventilateur depuis son interrupteur. Si vous devez arrêter le ventilateur, faites-le depuis le panneau électrique principal.

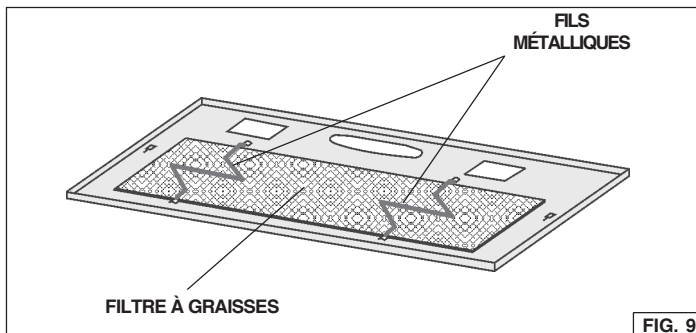
## ENTRETIEN

**COUPER TOUJOURS L'ALIMENTATION ÉLECTRIQUE AVANT D'EFFECTUER UNE QUELCONQUE OPÉRATION SUR L'APPAREIL.**

### Filtre à graisses

Le **filtre à graisses** doit être nettoyé fréquemment. Utiliser une solution d'eau chaude additionnée de détergent. Le filtre à graisses peut être lavé au lave-vaisselle.

Pour enlever le filtre à graisses, faire glisser les deux (2) loquets latéraux « A » (Fig. 2) et retirer la grille; puis enlever les fils métalliques et le filtre à graisses (Fig. 9).



### Filtre à charbon

Le filtre à charbon devrait être changé tous les six mois.

Pour retirer le filtre à charbon :

1. Retirer la grille en glissant les deux loquets latéraux « A » (Fig. 2).
2. Enlever les fils métalliques (Fig. 6) et remplacer le filtre à charbon.

### Nettoyage

Un entretien ponctuel contribuera à préserver son aspect.

- Nettoyer à l'eau chaude additionnée d'un détergent doux seulement.
- Procéder à un rinçage à l'eau claire après chaque nettoyage.
- Essuyer à l'aide d'un chiffon propre et doux.

### Ampoules

Ce type de module requiert deux ampoules de 40 W (non comprises).

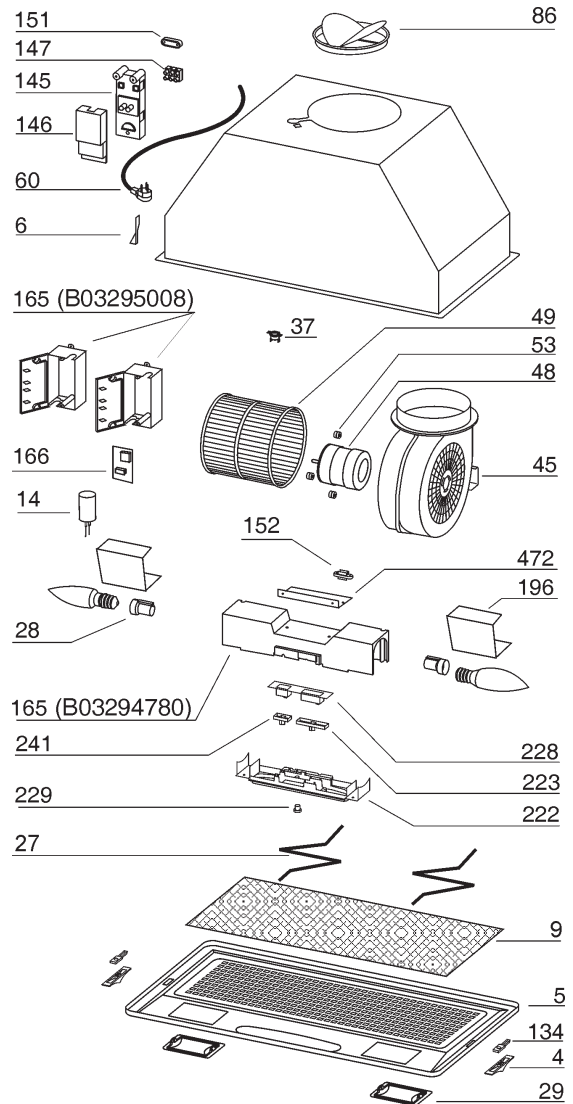
Pour changer les ampoules :

1. Faire glisser les deux loquets latéraux (A) pour retirer la grille.
2. Remplacer par des ampoules de même type (ampoule à petit culot de 40 W max/120 V).

**ATTENTION : L'AMPOULE PEUT ÊTRE CHAUDE!**

## LISTE DES PIÈCES DE RECHANGE

N°	N° DE PIÈCE	DESCRIPTION
4	B03295038	Loquet latéral
5	B03127682	Grille
6	B02011013	Ressort
9	B08087922	Filtre à graisses
14	B02300233	Condensateur
27	B02011155	Fils métalliques
28	B02300280	Douille
29	B03293051	Diffuseur
37	B02300787	Capteur thermique Heat Sentry <sup>MC</sup>
45	BW0000019	Ventilateur
48	B02310203	Moteur
49	B03295076	Roue du ventilateur
53	B03204177	Pare chocs
60	B02300249	Câble d'alimentation
86	B08088378	Clapet
134	B03295039	Butée de grille
145	B032920170	Boîte de connexion électrique
146	B032920180	Couvercle de la boîte de connexion électrique
147	BR2300132	Bornier
151	B032920200	Serre-fils
152	B03292200	Serre-fils
165	B03294780	Boîte des commandes
165	B03295008	Boîtes condensateur
166	B08086668	Circuit du capteur thermique
196	BE3348672	Réflecteur
222	B03295040	Couvercle de la boîte des commandes
223	B03295042	Interrupteur du ventilateur
228	B08086285	Circuit des commandes
229	B03201014	Voyant lumineux
241	B03295041	Interrupteur d'éclairage
472	BE3344843	Support des commandes
998	B080810782	Accessoires de quincaillerie
AQI	B06108860	Ensemble du panneau des commandes (repères n°s 165, 228, 28, 222, 152, 241, 223, 202 et 229)
CAS	B06002013	Bloc ventilateur (repères n°s 45, 48, 49, 53)
-	-	"Ampoules à petit culot de 40 W max non comprises"
-	B08999040	Ensemble de recirculation (à acheter séparément)



## GARANTIE

### GARANTIE LIMITÉE D'UN AN DE BROAN-NUTONE LLC

Broan-NuTone LLC (Broan-NuTone) garantit à l'acheteur original que les produits BROAN vendus en vertu de la présente sont libres de tout vice de matériau ou de fabrication pour une période de un an à compter de la date d'achat originale. CETTE GARANTIE NE COMPORTE AUCUNE AUTRE GARANTIE, EXPRESSE OU TACITE, Y COMPRIS, MAIS SANS S'Y LIMITER, LES GARANTIES TACITES DE VALEUR MARCHANDE OU D'ADAPTATION À UN USAGE PARTICULIER.

Durant cette période de un an, Broan-NuTone réparera ou remplacera gratuitement, à sa discrétion, tout produit ou toute pièce jugés défectueux dans des conditions normales d'utilisation.

CETTE GARANTIE NE S'APPLIQUE PAS AUX TUBES FLUORESCENTS ET AUX STARTERS, NI AUX AMPOULES HALOGÈNES OU INCANDESCENTES, FUSIBLE, CONDUITES, CHAPEAUX DE TOIT, CHAPEAUX DE MUR ET AUTRES ACCESSOIRES POUR CANALISATIONS. Cette garantie ne couvre pas (a) les frais d'entretien ou de service normaux ni (b) tout produit ou toute pièce soumis à une utilisation inadéquate, une négligence, un accident, un entretien ou une réparation inadéquats (autres que ceux effectués par Broan-NuTone), une mauvaise installation ou une installation contraire aux instructions recommandées.

La durée de toute garantie tacite est limitée à la période de un an stipulée pour la garantie expresse. Certains États ou provinces ne permettent pas de limites quant à la durée d'une garantie implicite. La restriction susmentionnée peut donc ne pas s'appliquer dans votre cas.

BROAN-NUTONE'S L'OBLIGATION POUR BROAN-NUTONE DE RÉPARER OU DE REMPLACER LE PRODUIT, À SA DISCRÉTION, CONSTITUE LE SEUL RECOURS DE L'ACHETEUR EN VERTU DE CETTE GARANTIE. BROAN-NUTONE NE PEUT PAS ÊTRE TENUE RESPONSABLE DE TOUT DOMMAGE INDIRECT, CONSÉCUTIF OU ACCESSOIRE DÉCOULANT DE L'UTILISATION OU DU RENDEMENT DU PRODUIT. Certains États ou provinces interdisent l'exclusion ou la restriction des dommages indirects ou consécutifs. La restriction susmentionnée peut donc ne pas s'appliquer dans votre cas.

La présente garantie vous confère des droits spécifiques reconnus par la loi. D'autres droits pourraient également vous être accordés selon la législation locale en vigueur. La présente garantie remplace toutes les autres garanties précédentes.

Pour le service sous garantie, vous devez (a) aviser Broan-NuTone à l'une des adresses ou numéros de téléphone mentionnés ci-dessous, (b) indiquer le numéro de modèle et d'identification de la pièce et (c) décrire la défectuosité du produit ou de la pièce. Lors d'une réclamation, vous devez présenter une preuve de la date d'achat originale.

In USA - Broan NuTone LLC, 926 W. State Street, Hartford, WI 53027 (800-558-1711)

In Canada - Broan NuTone Canada, 550 Lemire Blvd., Drummondville, QC J2C 7W9 (866-737-7770)

www.Broan.com