

METAL TANDEM HOOD INSTALLATION SHEET

⚠ WARNING

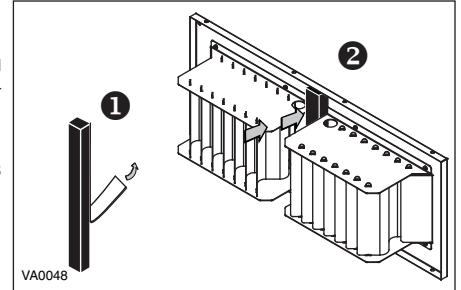
WHEN PERFORMING INSTALLATION. IT IS RECOMMENDED TO WEAR SAFETY GLASSES AND GLOVES.

NOTE: THIS DEVICE IS COMPATIBLE ONLY FOR UNITS PRODUCING A MAXIMUM OF 120 CFM. Do NOT USE THE METAL TANDEM HOOD WITH A UNIT PRODUCING MORE THAN 120 CFM.

A. METAL TANDEM HOOD PREPARATION

USING A PHILLIPS SCREWDRIVER, REMOVE BOTH SCREWS IN ORDER TO DISASSEMBLE THE FRONT GRILLE FROM THE METAL TANDEM HOOD ASSEMBLY. REMOVE THE FOAM STRIP FROM THE INNER FACE OF THE GRILLE AND SET ASIDE. APPLY EXTERIOR PAINT ON ALL GRILLE SURFACES AND LET DRY COMPLETELY.

PEEL OFF THE PAPER COVERING THE STICKY SIDE OF THE FOAM STRIP ❶ AND STICK THE FOAM STRIP IN ITS GROOVE ON THE INNER SIDE CENTER OF THE GRILLE ❷.



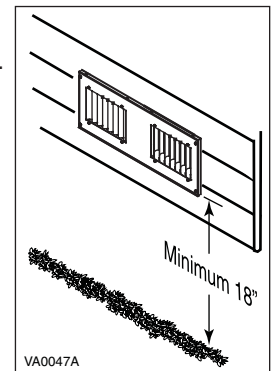
B. METAL TANDEM HOOD LOCATION

THE METAL TANDEM HOOD MUST BE INSTALLED AT A MINIMUM DISTANCE OF 18 INCHES FROM THE GROUND. SEE ILLUSTRATION AT RIGHT.

⚠ WARNING

MAKE SURE THE TANDEM HOOD IS AT LEAST 6 FEET (1.8 M) AWAY (OR MORE, AS PER APPLICABLE BUILDING CODES OR STANDARDS) FROM SOURCES OF CONTAMINATION SUCH AS:

- HIGH EFFICIENCY FURNACE VENT
- ANY EXHAUST FROM A COMBUSTION DEVICE
- GAS METER EXHAUST, GAS BARBECUE-GRILL
- GARBAGE BIN

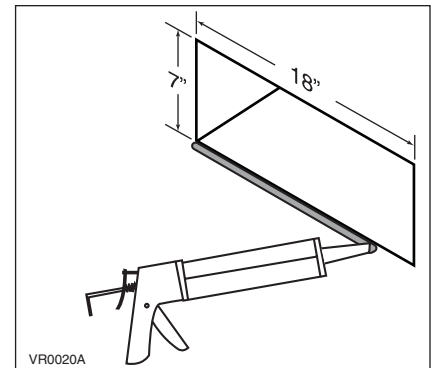


C. METAL TANDEM HOOD INSTALLATION

⚠ WARNING

WHEN CUTTING INTO WALL, DO NOT DAMAGE ELECTRICAL WIRING AND OTHER HIDDEN UTILITIES.

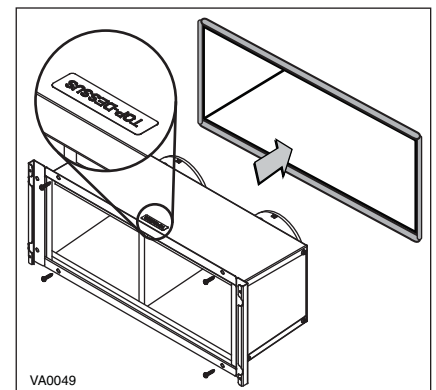
CUT A 18" WIDTH X 7" HEIGHT OPENING ON THE EXTERIOR WALL. APPLY CAULKING ALL AROUND THE OPENING.



CAUTION

THE METAL TANDEM HOOD BOX MUST BE INSTALLED WITH THE WORDS "TOP-DESSUS" ON TOP.

INSERT THE METAL TANDEM HOOD BOX IN THE WALL AND SECURE IN PLACE WITH 4 SCREWS (NOT INCLUDED). FROM THE INSIDE, FILL GAP BETWEEN METAL TANDEM HOOD BOX AND WALL WITH URETHANE INSULATION FOAM.



ASSEMBLE THE GRILLE TO THE METAL TANDEM HOOD BOX USING BOTH N° 8 x 3/8" SCREWS PREVIOUSLY REMOVED PLUS 2 OTHER N° 8 x 3/8" SCREWS FROM PARTS BAG. SEAL THE OUTLINE WITH CAULKING.

CAUTION

- BE CAREFUL NOT COVERING DRAIN HOLES ON BOTTOM EDGE OF GRILLE WHEN APPLYING CAULKING.
- IN ORDER TO INSURE THE METAL TANDEM HOOD WORKS PROPERLY, KEEP ITS SURROUNDING AREA FREE FROM ANY OBSTACLE THAT MAY INTERFERE WITH INTAKE OR EXHAUST AIRFLOWS.

