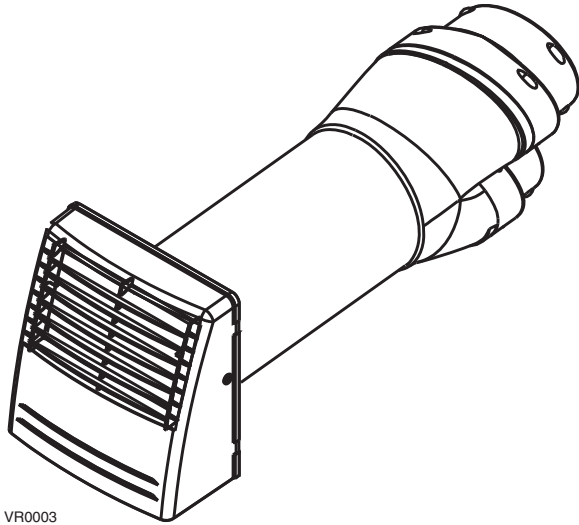


DUAL EXTERIOR HOOD INSTALLATION KIT

Part number: 14690



TWO EXTERNAL VENTS IN ONE!

Imagine... Only one hole to cut in the exterior wall to perform an outside connection for an HRV or ERV. Introducing the simplest way to perform the outside connection: the Dual Exterior Hood Kit. This kit is exclusively designed for units which airflow is equal or under 110 CFM, at 0.4 in. w.g.

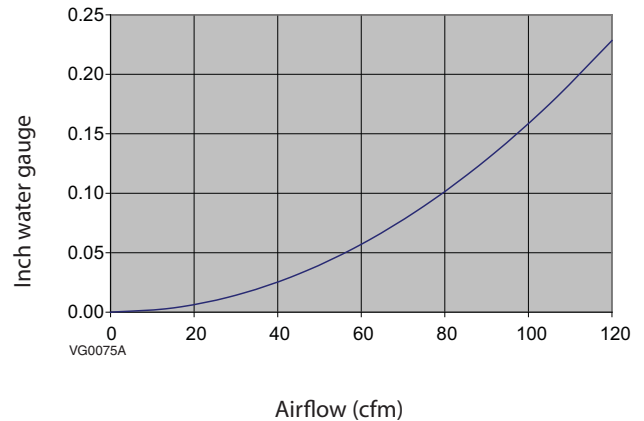
- Only one 6" diameter hole in the exterior wall
- Aesthetic white polypropylene dual outside port
- Exclusive Tandem® transition fits both 5" or 6" diameter insulated flexible ducts
- Hardware included
- Light materials, handy design
- Outside connection performed in half of the time
- Complies with National Building Code of Canada, Ontario Building Code and CSA F326 requirements

The revolutionary design of the Dual Exterior Hood Kit simplifies the installation because there is only one hole to cut in the exterior wall. In fact, every installer knows that locating efficiently one outside port is easier (and faster) than locating two. And moreover, there is almost no cross-contamination between the exhaust and intake airflows!

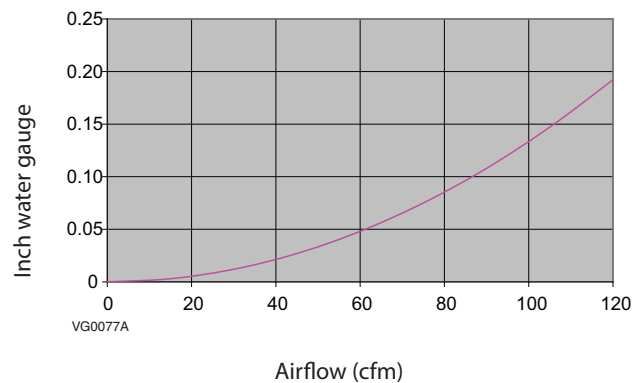
Available at:

INCLUDING THE TANDEM® TRANSITION

Pressure drops (air intake)

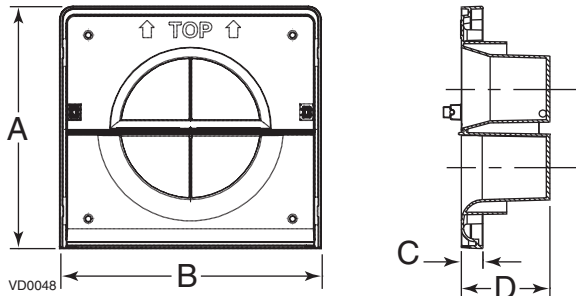


Pressure drops (air exhaust)



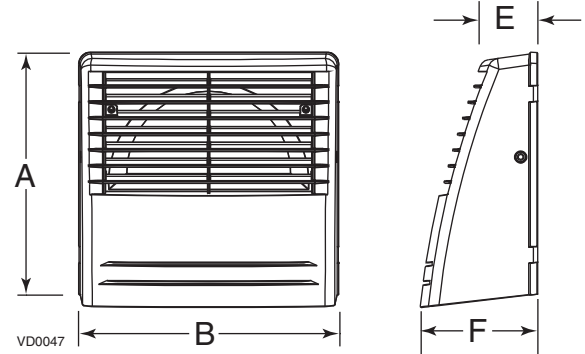
Dimensions of the Dual Outside Port Backplate

A	B	C	D
8 ³ / ₈ " (214 mm)	9" (231 mm)	3/4" (19 mm)	3" (76 mm)

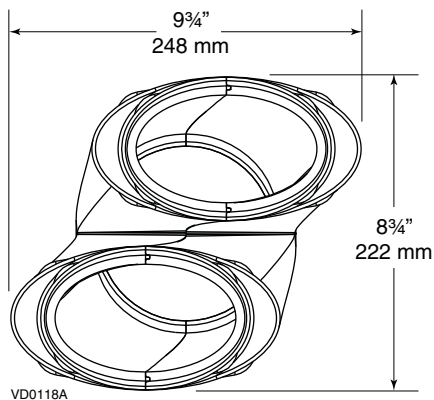


Dimensions of the Dual Outside Port

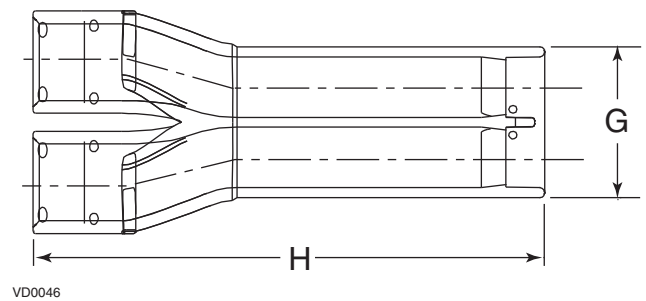
A	B	E	F
8 ³ / ₈ " (214 mm)	9" (231 mm)	1 ⁷ / ₈ " (48 mm)	3 ⁵ / ₈ " (92 mm)



Dimensions of the TANDEM Transition

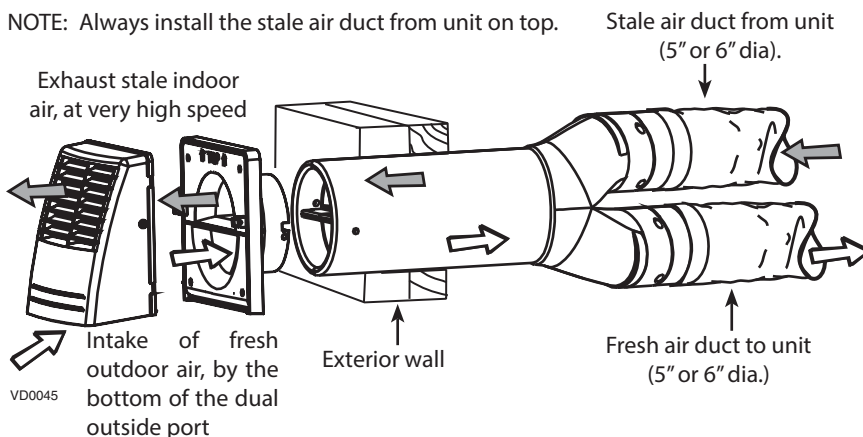


G	H
6" (152 mm)	20" (508 mm)



Installation

NOTE: Always install the stale air duct from unit on top.



Specifications and ratings

- Part number: 14690
- Material for Tandem® transition: Expanded polystyrene, Grade 54 (building material)
- Material for dual outside port: White polypropylene
- Contamination rate: 3.2% between stale air to outdoors and fresh air from outdoors

Submitted by:		Date:	Project:
Quantity:	Model number:	Remarks:	Location:
	14690		Architect:
			Engineer:
			Contractor: