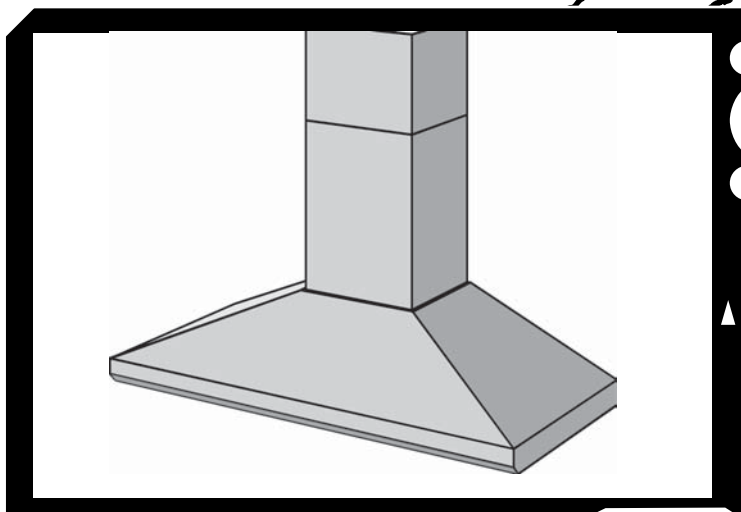


# **BROAN**<sup>®</sup> *Elite*



## **614804 Series**

ENGLISH.....	2
FRANÇAIS.....	12
ESPAÑOL.....	22

In USA - BROAN Hartford, Wisconsin

In CANADA - BROAN Drummondville, QC, Canada

REGISTER YOUR PRODUCT ONLINE AT : [www.Broan.com/register](http://www.Broan.com/register)  
For additional Information visit [www.Broan.com](http://www.Broan.com)

# READ AND SAVE THESE INSTRUCTIONS

**⚠ INTENDED FOR DOMESTIC COOKING ONLY ⚠**

## **⚡ ⚠ WARNING**

**TO REDUCE THE RISK OF FIRE, ELECTRIC SHOCK, OR INJURY TO PERSONS, OBSERVE THE FOLLOWING:**

1. Use this unit only in the manner intended by the manufacturer. If you have questions, contact the manufacturer at the address or telephone number listed in the warranty.
2. Before servicing or cleaning unit, switch power off at service panel and lock service panel to prevent power from being switched on accidentally. When the service disconnecting means cannot be locked, securely fasten a prominent warning device, such as a tag, to the service panel.
3. Installation work and electrical wiring must be done by a qualified person(s) in accordance with all applicable codes and standards, including fire-rated construction codes and standards.
4. Sufficient air is needed for proper combustion and exhausting of gases through the flue (chimney) of fuel burning equipment to prevent backdrafting. Follow the heating equipment manufacturer's guidelines and safety standards such as those published by the National Fire Protection Association (NFPA), and the American Society for Heating, Refrigeration and Air Conditioning Engineers (ASHRAE), and the local code authorities.
5. When cutting or drilling into wall or ceiling, do not damage electrical wiring and other hidden utilities.
6. Ducted fans must always be vented to the outdoors.
7. Do not use this unit with any separate solid-state speed control device.
8. To reduce the risk of fire, use only metal ductwork.
9. This unit must be grounded.

**TO REDUCE THE RISK OF A RANGE TOP GREASE FIRE:**

- A. Never leave surface units unattended at high settings. Boilovers cause smoking and greasy spillovers that may ignite. Heat oils slowly on low or medium settings.
- B. Always turn hood ON when cooking at high heat or when flambeing food (i.e. Crepes Suzette, Cherries Jubilee, Peppercorn Beef Flambe').
- C. Clean ventilating fans frequently. Grease should not be allowed to accumulate on fan or filter.
- D. Use proper pan size. Always use cookware appropriate for the size of the surface element.

## **⚡ ⚠ WARNING**

**TO REDUCE THE RISK OF INJURY TO PERSONS IN THE EVENT OF A RANGE TOP GREASE FIRE, OBSERVE THE FOLLOWING:\***

1. **SMOTHER FLAMES** with a close-fitting lid, cookie sheet, or metal tray, then turn off the burner. **BE CAREFUL TO PREVENT BURNS.** If the flames do not go out immediately, **EVACUATE AND CALL THE FIRE DEPARTMENT.**
2. **NEVER PICK UP A FLAMING PAN** - You may be burned.
3. **DO NOT USE WATER**, including wet dishcloths or towels - violent steam explosion will result.
4. Use an extinguisher **ONLY** if:
  - A. You know you have a Class ABC extinguisher and you already know how to operate it.
  - B. The fire is small and contained in the area where it started.
  - C. The fire department is being called.
  - D. You can fight the fire with your back to an exit.

\* Based on "Kitchen Fire Safety Tips" published by NFPA.

## CAUTION

---

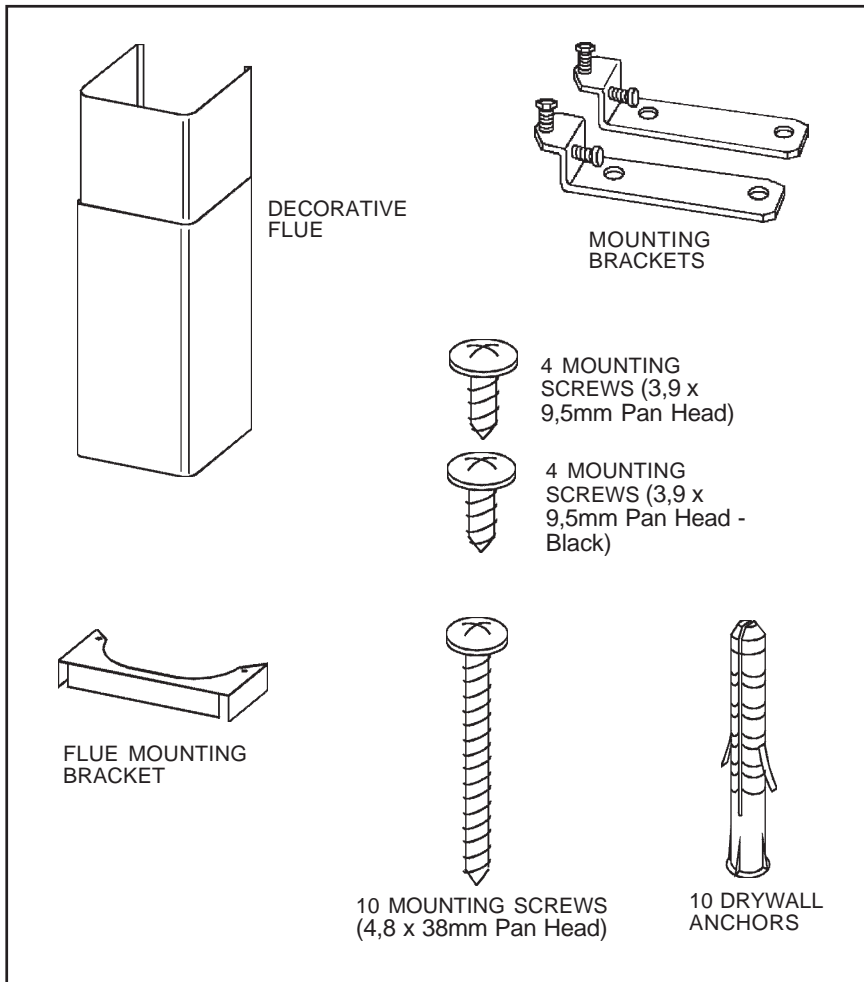
1. For indoor use only.
2. To reduce risk of fire and to properly exhaust air, be sure to duct air outside. Do not vent exhaust air into spaces within walls or ceilings or into attics, crawl spaces, or garages.
3. Take care when using cleaning agents or detergents.
4. Avoid using food products that produce flames under the Range Hood.
5. For general ventilating use only. Do not use to exhaust hazardous or explosive materials and vapors.
6. To avoid motor bearing damage and noisy and/or unbalanced impellers, keep drywall spray, construction dust, etc. off power unit.
7. Your hood motor has a thermal overload which will automatically shut off the motor if it becomes overheated. The motor will restart when it cools down. If the motor continues to shut off and restart, have the hood serviced.
8. For best capture of cooking impurities, the bottom of the hood should be a minimum of 24" and a maximum of 30" above the cooking surface.
9. Two installers are recommended because of the large size and weight of this hood.
10. This product is equipped with a thermostat which may start blower automatically. To reduce the risk of injury and to prevent power from being switched on accidentally, switch power off at service panel and lock or tag service panel.
11. Please read specification label on product for further information and requirements.
12. **Do not operate any fan with a damaged cord or plug. Discard fan or return to an authorized service facility for examination and/or repair.**

## PREPARE THE HOOD

Unpack hood and check contents.

You should receive:

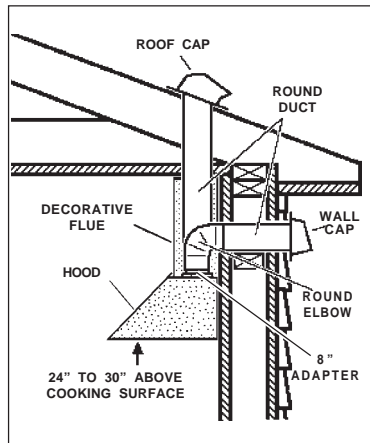
- 1 - Hood
- 1 - Decorative Flue Assembly
- 1 - Flue Mounting Bracket
- 1 - Parts Bag (B08081196) containing:
  - 2 - Mounting Brackets
  - 10 - Mounting Screws (4,8 x 38mm Pan Head)
  - 4 - Mounting Screws (3,9 x 9,5mm Pan Head)
  - 4 - Mounting Screws (3,9 x 9,5mm Pan Head Black)
  - 10 - Drywall Anchors
- 1 - Installation Instructions



## INSTALL THE DUCTWORK

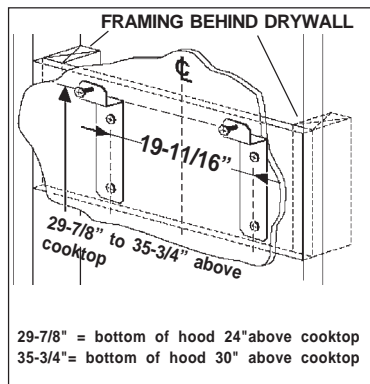
**NOTE: To reduce the risk of fire, use only metal ductwork.**

1. Decide where the ductwork will run between the hood and the outside.
2. A straight, short duct run will allow the hood to perform most efficiently.
3. Long duct runs, elbows, and transitions will reduce the performance of the hood. Use as few of them as possible. Larger ducting may be required for best performance with longer duct runs.
4. Install a roof or wall cap. Connect round metal ductwork to cap and work back towards hood location. Use duct tape to seal the joints between ductwork sections.



## INSTALL MOUNTING BRACKETS

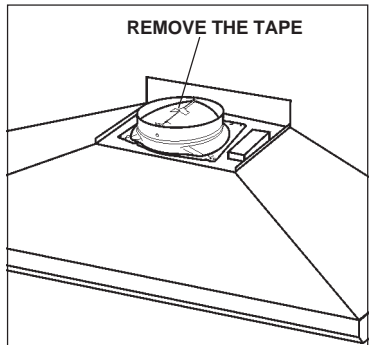
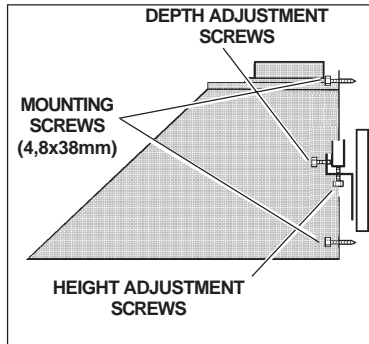
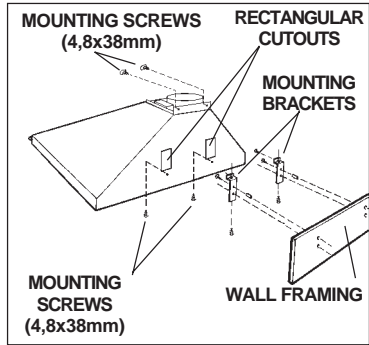
1. Construct wood wall **framing** that is flush with interior surface of wall studs. Make sure:
  - a) the framing is centered over installation location.
  - b) the height of the framing will allow the **mounting brackets** to be secured to the framing within the dimensions shown.
2. After wall surface is finished, secure mounting brackets to framing using dimensions shown.



29-7/8" = bottom of hood 24" above cooktop  
35-3/4" = bottom of hood 30" above cooktop

## INSTALL THE HOOD

1. Hang the hood from the brackets through the **rectangular cut-outs** on the back of the hood. Cut-outs are larger than the brackets to allow for horizontal adjustment. The bottom of the hood should be 24" to 30" above the cooking surface.
2. **Height adjustment screws** provide vertical adjustment.
3. **Depth adjustment screws** provide horizontal adjustment.
4. Secure the hood with **mounting screws** (4,8x38mm). Use drywall anchors, provided, if wall studs or framing are not available.
5. Remove the tape located on the damper.



HOOD DISTANCE ABOVE 36" HIGH COOK TOP			
	8' Ceiling	9' Ceiling	10' Ceiling
Standard Flues	Minus 24 - 29 ¼	25 - plus 30"	-

## WIRING

**Note:** This range hood must be properly grounded. The unit should be installed by a qualified electrician in accordance with all applicable national and local electrical codes.

### GROUNDING INSTRUCTIONS

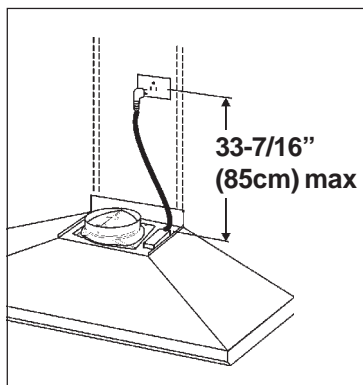
This appliance must be grounded. In the event of an electrical short circuit, grounding reduces the risk of electric shock by providing an escape wire for the electric current. This appliance is equipped with a cord having a grounding wire with a grounding plug. The plug must be plugged into an outlet that is properly installed and grounded.

**WARNING** - Improper grounding can result in a risk of electric shock.

Consult a qualified electrician if the grounding instructions are not completely understood, or if doubt exists as to whether the appliance is properly grounded. Do not use an extension cord. If the power supply cord is too short, have a qualified electrician install an outlet near the appliance.

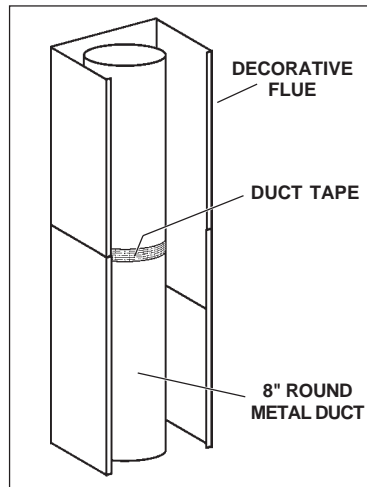
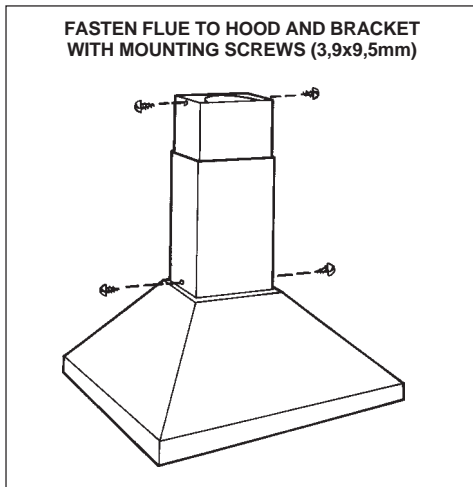
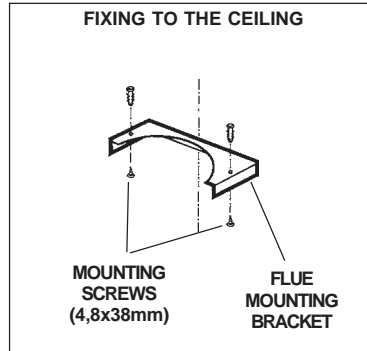
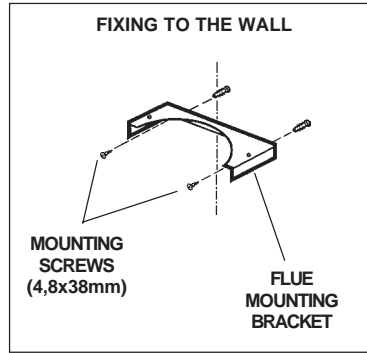
Set the electrical power supply within the space covered by the decorative flues. Position the power socket at a maximum distance of 33-7/16" (85 cm) from where the lead exits from the hood (see illustration alongside). Make sure this does not interfere with the decorative flues (where the flue touches the wall).

Fit the plug into the power socket.



## CONNECT DUCTWORK

1. Use (2) screws (4,8x38mm) and drywall anchors to secure **flue mounting bracket** to the ceiling or wall as shown.
2. Use **8" round metal duct** to connect the discharge collar on the hood to the ductwork above.
3. Use **duct tape** to make all joints secure and air tight.
4. Connect the upper flue to the bracket with mounting screws (3,9x9,5mm).
5. Slide the lower flue downward, until it fits properly around hood.
6. Secure lower flue to hood with mounting screws (3,9x9,5mm).





## MAINTENANCE

---

Proper maintenance of the Range Hood will assure proper performance of the unit.

### **Grease Filters**

The **grease filters** should be cleaned frequently. Use a warm detergent solution. Grease filters are dishwasher safe.

Remove filter by pushing filter towards the back of hood and rotating filter downward.

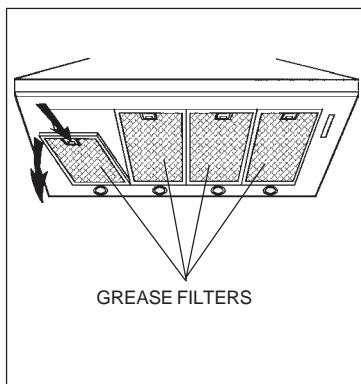
### **Hood Cleaning**

Stainless steel is one of the easiest materials to keep clean. Occasional care will help preserve its fine appearance.

Cleaning tips:

- Hot water with soap or detergent is all that is usually needed.
- Follow all cleaning by rinsing with clear water. Wipe dry with a clean, soft cloth to avoid water marks.
- For discolorations or deposits that persist, use a non-scratching household cleanser or stainless steel polishing powder with a little water and a soft cloth.
- For stubborn cases, use a plastic scouring pad or soft bristle brush together with cleanser and water. Rub lightly in direction of polishing lines or "grain" of the stainless finish. Avoid using too much pressure which may mar the surface.
- **DO NOT** allow deposits to remain for long periods of time.
- **DO NOT** use ordinary steel wool or steel brushes. Small bits of steel may adhere to the surface causing rust.
- **DO NOT** allow salt solutions, disinfectants, bleaches, or cleaning compounds to remain in contact with stainless steel for extended periods. Many of these compounds contain chemicals which may be harmful. Rinse with water after exposure and wipe dry with a clean cloth.

Painted surfaces should be cleaned with warm water and mild detergent only.



## OPERATION

### Controls

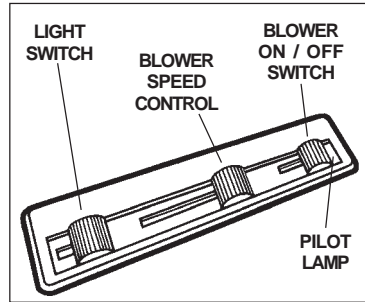
The hood is operated using the slide controls under the front edge of the hood.

The **light switch** turns the halogen lights on and off.

The **blower on / off switch** turns the blower on to the running speed set by the blower speed control. The blower must be turned on and off using this switch.

The **blower speed control** changes the speed of the blower from 1 to 3 position.

The **pilot lamp** lights up whenever the blower is on.



### HEAT SENTRY™

Your hood is equipped with a HEAT SENTRY™ thermostat. This thermostat is a device that will turn on or speed up the blower if it senses excessive heat above the cooking surface.

1) If blower is OFF - it turns blower ON to HIGH speed.

2) If blower is ON at a lower speed setting - it turns blower up to HIGH speed.

When the temperature level drops to normal, the blower will return to its original setting.

### WARNING

**The HEAT SENTRY thermostat can start the blower even if the hood is turned OFF. When this occurs, it is impossible to turn the blower OFF with its switch. If you must stop the blower, do it from the main electrical panel.**

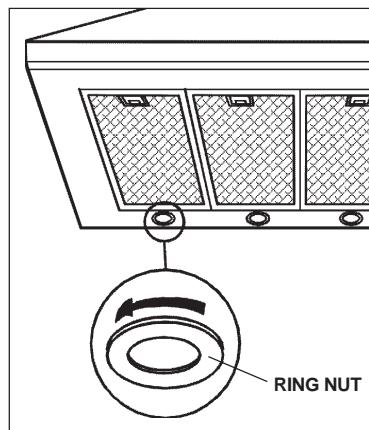
## HALOGEN BULBS

This range hood requires 4 halogen bulbs (Type T3, 12V, 20W, G-4 Base).

**ALWAYS SWITCH OFF THE ELECTRICITY SUPPLY BEFORE CARRYING OUT ANY OPERATIONS ON THE APPLIANCE.**

To change bulbs:

1. Loosen the ring nut by turning it counterclockwise.
2. Pull the bulb downwards to remove - **DO NOT ROTATE. CAUTION: BULB MAY BE HOT!**
3. Replace with Type T3, 12V, 20W, G-4 Base halogen bulb. Do not touch replacement bulb with bare hands!



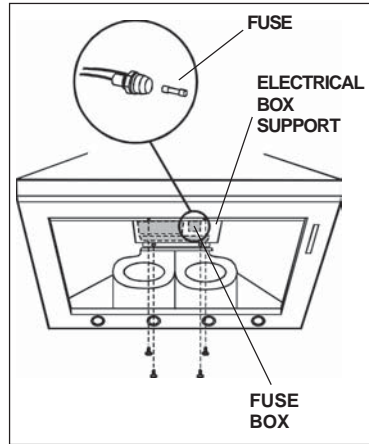
# FUSE REPLACEMENT

## SWITCH OFF THE ELECTRICITY SUPPLY.

Remove the grease filters.

Remove the electrical box support and open the fuse box.

Replace with the same type of fuse (5x20mm, 4A, 125V).



# WARRANTY

## ONE YEAR LIMITED WARRANTY FOR BROAN PRODUCTS

Broan-NuTone LLC (Broan-NuTone) warrants to the original consumer purchaser of Broan products that such products will be free from defects in materials or workmanship for a period of one year from the date of original purchase. THERE ARE NO OTHER WARRANTIES, EXPRESS OR IMPLIED, INCLUDING, BUT NOT LIMITED TO, IMPLIED WARRANTIES OR MERCHANTABILITY OR FITNESS FOR A PARTICULAR PURPOSE.

During this one-year period, Broan-NuTone will, at its option, repair or replace, without charge, any product or part which is found to be defective under normal use and service.

THIS WARRANTY DOES NOT EXTEND TO FLUORESCENT LAMP STARTERS, TUBES, HALOGEN AND INCANDESCENT BULBS, FUSE, FILTERS, DUCTS, ROOF CAPS, WALL CAPS AND OTHER ACCESSORIES FOR DUCTING. This warranty does not cover (a) normal maintenance and service or (b) any products or parts which have been subject to misuse, negligence, accident, improper maintenance or repair (other than by Broan-NuTone), faulty installation or installation contrary to recommended installation instructions.

The duration of any implied warranty is limited to the one-year period as specified for the express warranty. Some states do not allow limitation on how long an implied warranty lasts, so the above limitation may not apply to you.

BROAN-NUTONE'S OBLIGATION TO REPAIR OR REPLACE, AT BROAN-NUTONE'S OPTION, SHALL BE THE PURCHASER'S SOLE AND EXCLUSIVE REMEDY UNDER THIS WARRANTY. BROAN-NUTONE SHALL NOT BE LIABLE FOR INCIDENTAL, CONSEQUENTIAL OR SPECIAL DAMAGES ARISING OUT OF OR IN CONNECTION WITH PRODUCT USE OR PERFORMANCE. Some states do not allow the exclusion or limitation of incidental or consequential damages, so the above limitation or exclusion may not apply to you.

This warranty gives you specific legal rights, and you may also have other rights, which vary from state to state. This warranty supersedes all prior warranties.

To qualify for warranty service, you must (a) notify Broan-NuTone at the address stated below or telephone number stated below, (b) give the model number and part identification and (c) describe the nature of any defect in the product or part. At the time of requesting warranty service, you must present evidence of the original purchase date.

In USA - Broan®, 926 W. State Street, Hartford, WI 53027 (800-558-1711)

In Canada - Broan®, 550 Lemire Blvd., Drummondville, QC J2C 7W9 (866-737-7770)

www.Broan.com

# LISEZ ET CONSERVEZ CES INSTRUCTIONS

 **SEULEMENT POUR UTILISATION DOMESTIQUE** 

## **AVERTISSEMENTS**

**POUR REDUIRE LES RISQUES D'INCENDIE, DE DECHARGES ELECTRIQUES OU DE DOMMAGES AUX PERSONNES, OBSERVEZ LES INSTRUCTIONS SUIVANTES:**

1. N'utilisez cet appareil que comme cela est indiqué par le constructeur. Si vous avez des problèmes, contactez le fabricant à l'adresse ou au numéro de téléphone indiqués dans la garantie.
2. Avant de pourvoir à l'entretien ou au nettoyage de votre appareil, éteignez-le au tableau des commandes ou bloquez le tableau des commandes afin d'éviter de le mettre en marche accidentellement. Si vous ne pouvez pas bloquer le système permettant d'éteindre votre appareil, appliquez un avertissement extérieur d'une façon sûre, comme par exemple un panneau, sur le tableau des commandes.
3. L'assemblage et la connexion électrique doivent être faits par des personnes qualifiées en respectant les normes et règlements en vigueur, y compris les normes et règlements concernant les possibilités d'incendie.
4. Il est indispensable qu'il y ait suffisamment d'air pour que la combustion et l'évacuation des gaz à travers le tuyau du brûleur du combustible ait lieu sans retour de flamme. Suivez les indications données par le fabricant du brûleur ainsi que les normes de sécurité comme celles qui sont publiées par l'Association Nationale pour la Protection contre les Incendies National Fire Protection Association (NFPA) et la American Society for Heating, Refrigeration and Air Conditioning Engineers (ASHRAE), et les autorités locales en matière de normes.
5. Quand vous coupez ou percez des trous dans le mur ou le plafond, n'abîmez pas les fils électriques ou autres.
6. Le ventilateur canalisé doit toujours évacuer l'air vers l'extérieur.
7. N'utilisez pas cet appareil avec un appareil contrôlant la vitesse à état solide.
8. Afin de diminuer tout risque d'incendie n'utilisez que des conduits en métal.
9. Votre appareil doit être relié à la terre.

**ATTENTION - POUR REDUIRE LES RISQUES D'INCENDIE DES MATIERES GRASSES QUI SONT EN TRAIN DE CUIRE:**

- A. Ne laissez jamais ni vos éléments chauffants, ni vos casseroles ou poêles sur le feu sans les contrôler si vous réglez l'apport de chaleur sur une position élevée. Si vos casseroles ou poêles débordent cela provoque de la vapeur et des éclaboussures de graisse qui peuvent prendre feu. Chauffez les huiles lentement à feu bas ou moyen.
- B. Faites toujours fonctionner votre hotte quand vous cuisez à des températures élevées ou quand vous cuisinez des plats flambés. (par ex. crêpes Suzette, Cerises "Jubilé", Steak au poivre flambé).
- C. Nettoyez régulièrement les ailes de vos ventilateurs. Ne permettez pas que la graisse s'accumule sur le ventilateur ou sur le filtre.
- D. Utilisez des casseroles de taille appropriée. Utilisez toujours des ustensiles de cuisson dont la taille est appropriée à la surface de votre élément de cuisson.

## **AVERTISSEMENTS**

**POUR REDUIRE LES RISQUES DE DOMMAGES AUX PERSONNES AU CAS OÙ VOTRE CUISINIÈRE PRENDRAIT FEU, OBSERVEZ LES INSTRUCTIONS SUIVANTES:\***

1. **ETEINDRE LES FLAMMES** à l'aide d'un couvercle le plus hermétique possible, une plaque à gâteaux, ou un plateau en métal, puis éteindre le brûleur. **ATTENTION à NE PAS VOUS BRÛLER.** Si les flammes ne s'éteignent pas immédiatement, **SORTEZ ET APPELEZ LES POMPIERS.**
2. **NE PRENEZ JAMAIS EN MAIN UNE POÊLE OU UNE CASSEROLE QUI A PRIS FEU** - Vous pourriez vous brûler.
3. **N'UTILISEZ PAS D'EAU,** ni torchons ou serviettes mouillés - vous provoqueriez une violente explosion de vapeur.

4. Utilisez un extincteur SEULEMENT si:
    - A. Vous savez que vous avez un extincteur Classe ABC, et vous en connaissez déjà le mode d'emploi.
    - B. Ce n'est pas un très gros incendie et qu'il se limite à l'endroit où il a explosé.
    - C. Vous êtes en train d'avertir les pompiers.
    - D. Vous avez la possibilité d'essayer d'éteindre l'incendie en ayant le dos tourné vers une issue.
- \* D'après les "Suggestions concernant la Sécurité contre les incendies des cuisines" publiées par NFPA.



## ATTENTION

---

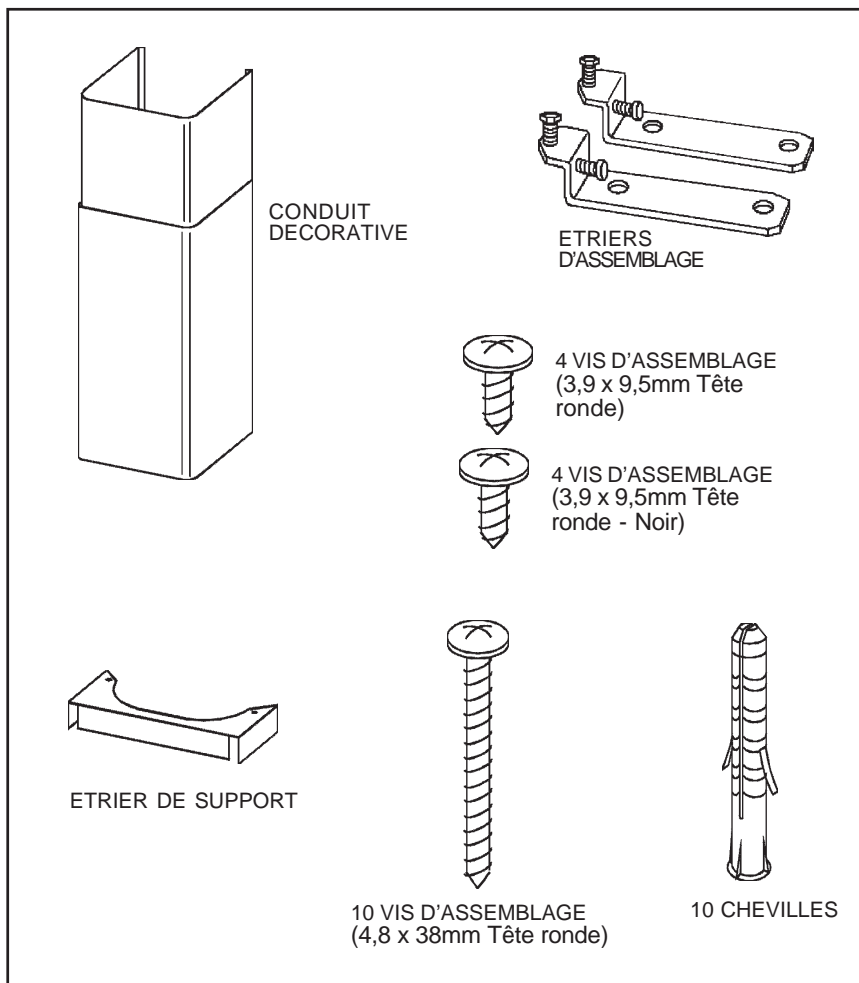
1. Pour usage intérieur seulement.
2. Pour réduire tout risque d'incendie et pour évacuer correctement l'air, assurez-vous de prévoir un conduit de ventilation extérieur. Ne videz pas l'air dans les espaces limités par des murs ou des plafonds, les combles, les passages étroits ou les garages.
3. Faites très attention quand vous utilisez des produits de nettoyage ou des détergents.
4. Évitez d'utiliser des aliments pouvant s'enflammer sous la Range Hood.
5. N'utilisez cet appareil que pour une ventilation générale. Ne l'utilisez pas pour évacuer des matières ou des vapeurs dangereuses ou qui peuvent exploser.
6. Pour éviter de causer des dommages au moteur et de rendre les rotors bruyants et/ou non équilibrés, évitez que les sprays pour murs secs, la poussière de construction entrent en contact avec la partie électrique.
7. Le moteur de votre hotte a un thermostat qui éteindra automatiquement le moteur s'il est surchauffé. Le moteur se remettra en marche lorsqu'il se sera refroidi. Si le moteur continue à s'éteindre et à se remettre en marche, faites vérifier votre hotte.
8. Pour mieux capturer les impuretés de cuisine, le bas de votre hotte devrait être à une distance minimum de 24" et à une distance maximum de 30" au-dessus du plan de cuisson.
9. Vu que cette hotte est grande et lourde, il est recommandé de confier l'installation de cette hotte à deux personnes.
10. Ce produit est doté d'un thermostat qui active automatiquement le moteur. Pour réduire le risque de dommages et éviter l'activation accidentelle, positionner l'interrupteur du panneau de service sur la position OFF et bloquer le panneau de service ou mettre un avertissement externe, par exemple une plaquette.
11. Nous vous recommandons de lire l'étiquette indiquant les caractéristiques de votre hotte pour de plus amples informations et exigences.
12. **Ne pas faire fonctionner un ventilateur avec un cordon ou une fiche endommagé. Jeter ventilateur ou retourner à un centre de service autorisé pour inspection et / ou réparation.**

## PREPAREZ LA HOTTE

Enlever la hotte dans l'emballage et contrôler le contenu.

Vous devez recevoir :

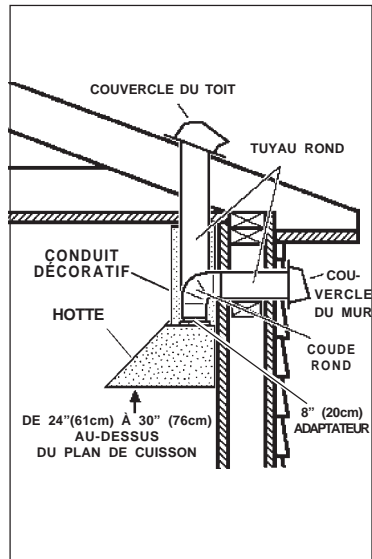
- 1 - Hotte
- 1 - Conduit décoratif
- 1 - Étrier de support
- 1 - Sachet (B08081196) avec:
  - 2 - Étriers d'assemblage
  - 10 - Vis d'assemblage (4,8 x 38mm Tête ronde)
  - 4 - Vis d'assemblage (3,9 x 9,5mm Tête ronde)
  - 4 - Vis d'assemblage (3,9 x 9,5mm Tête ronde Noir)
  - 10 - Chevilles
- 1 - Instructions pour l'installation



## INSTALLATION DU SYSTEME D'EVACUATION

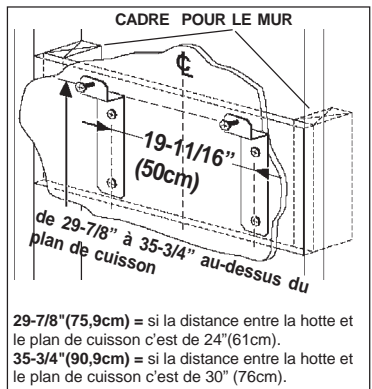
**REMARQUE:** Pour réduire les risques d'incendie, n'utilisez que des tuyaux en métal.

1. Décrivez où le tuyau doit être installé, entre votre hotte et l'extérieur.
2. Un tuyau droit et court permettra à votre hotte de fonctionner d'une façon plus efficace.
3. Un tuyau long avec des coudes et des transitions réduira le bon fonctionnement de votre hotte. En utiliser le moins possible. Pour de longues utilisations, il faut un tuyau d'évacuation d'air ayant un diamètre plus large.
4. Installez un couvercle sur le toit ou au mur. Reliez un tuyau en métal rond au couvercle et faites-le aller jusqu'à l'emplacement de votre hotte. Rendez les jonctions du tuyau hermétiques au moyen d'un ruban pour tuyaux.



## INSTALLATION DES ETRIER D'ASSEMBLAGE

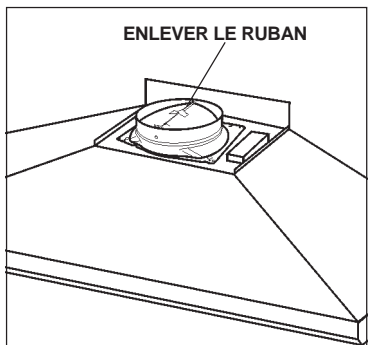
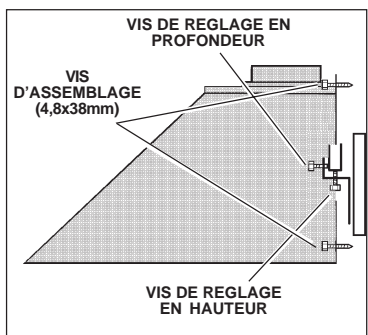
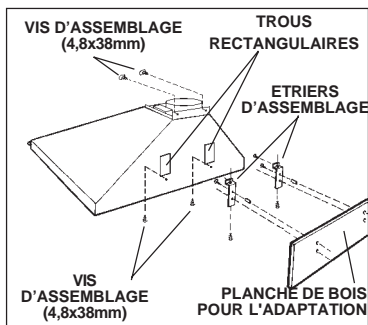
1. Construisez un **cadre** en bois pour le mur dont les vis-pivot ne dépassent pas. Assurez-vous :
  - a) que le cadre est centré au-dessus de l'emplacement de l'installation.
  - b) la hauteur du cadre permettra que les **étriers d'assemblage** soient fixés au cadre en respectant les dimensions indiquées.
2. Après avoir terminé la surface du mur, fixez les **étriers d'assemblage** au cadre en respectant les dimensions qui sont indiquées.



29-7/8" (75,9cm) = si la distance entre la hotte et le plan de cuisson c'est de 24" (61cm).  
 35-3/4" (90,9cm) = si la distance entre la hotte et le plan de cuisson c'est de 30" (76cm).

## INSTALLATION DE LA HOTTE

1. Accrochez votre hotte aux étriers par les **trous rectangulaires** qui se trouvent derrière votre hotte. Les trous sont plus grands que les étriers afin de vous permettre d'ajuster le tout horizontalement. Le fond de votre hotte devrait être à entre 24" et 30" au-dessus de la surface de cuisson.
2. Les **vis de réglage en hauteur** permettent de régler verticalement.
3. Les **vis de réglage en profondeur** permettent de régler horizontalement.
4. Fixez votre hotte avec des **vis d'assemblage** (4,8x38mm). Utilisez des chevilles pour mur à sec, qui vous sont fournies, si vous ne trouvez pas les vis-pivot ou le cadre.
4. Enlever le ruban positionné sur le clapet.



ESPACEMENT ENTRE LA HOTTE ET LE PLAN DE CUISSON DE 36" DE HAUT			
	Plafond 8'	Plafond 9'	Plafond 10'
Conduit Standard	Min. 24 - 29 ¼	25 - plus 30"	-



## **INSTALLATION ELECTRIQUE**

**Remarque: Ce modèle de hotte doit être relié à la terre correctement. Cet article devrait être installé par un électricien qualifié selon les lois nationales et locales en matière d'électricité.**

**INSTRUCTIONS POUR LA MISE A LA TERRE**  
Cet appareil doit être relié à la terre. En cas de court-circuit, la mise à la terre réduit le risque de décharge électrique en fournissant un câble permettant au courant d'être dévié. Cet appareil est équipé d'un cordon ayant un câble de mise à la terre avec une fiche de mise à la terre. La fiche doit être branchée dans une prise de courant correctement installée et mise à la terre.

**ATTENTION -** Une mise à la terre incorrecte peut entraîner un risque de décharge électrique.

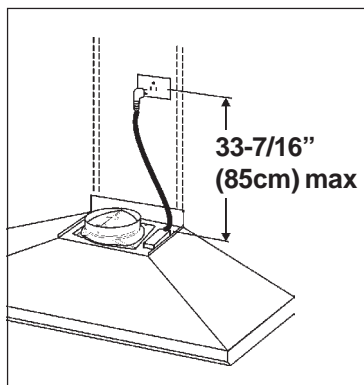
Consulter un électricien spécialisé si les instructions de mise à la terre ne sont pas tout à fait compréhensibles ou en cas de doute sur le fait de savoir si l'appareil est correctement relié à la terre.

Ne pas utiliser de prolongation. Si le cordon d'alimentation est trop court, demander à un électricien agréé d'installer une prise de courant près de l'appareil.

Régler l'alimentation électrique dans l'espace couvert par le conduit décoratif.

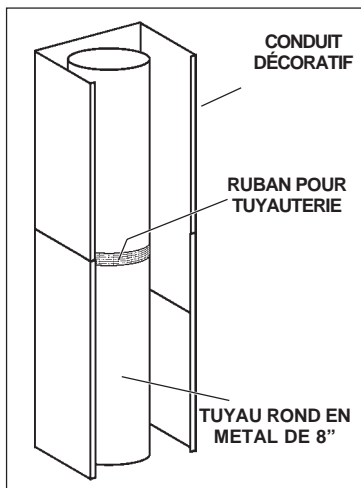
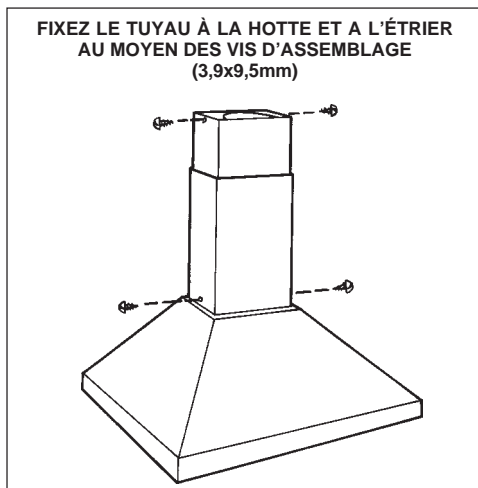
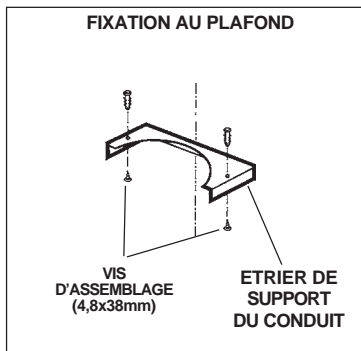
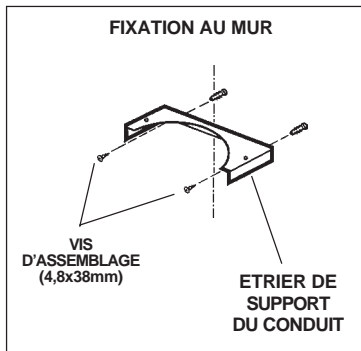
Placer la prise femelle à une distance maximum de 33-7/16" (85 cm) de l'endroit où le plomb sort de la hotte (voir l'illustration ci-contre). S'assurer qu'il n'y ait pas d'interférence avec le conduit décoratif (à l'endroit où la gaine touche le mur).

Mettre la fiche dans la prise femelle.



## CONNEXION DU SYSTEME D'EVACUATION

1. Fixez l'étrier de support du conduit au plafond ou au mur au moyen des (2) vis (4,8x38mm) et des chevilles comme cela est indiqué.
2. Reliez le collier d'évacuation qui se trouve sur votre hotte au système de conduction qui se trouve au-dessus au moyen d'un tuyau rond en métal de 8" (20cm).
3. Utilisez un ruban pour tuyauterie afin de rendre toutes les jonctions sûres et étanches.
4. Reliez le conduit décoratif supérieur à l'étrier au moyen des vis d'assemblage (3,9x9,5mm).
5. Faites glisser le conduit décoratif inférieur vers le bas, jusqu'à ce qu'il adhère correctement autour de la hotte.
6. Fixez le conduit décoratif inférieur à votre hotte au moyen des vis d'assemblage (3,9x9,5mm).



## ENTRETIEN

Un bon entretien de votre hotte garantira une excellente performance.

### **Filtres anti-graisse**

Les **filtres anti-graisse** doivent être nettoyés fréquemment. Utilisez une solution contenant un détergent tiède. Les filtres anti-graisse peuvent être lavés au lave-vaisselle.

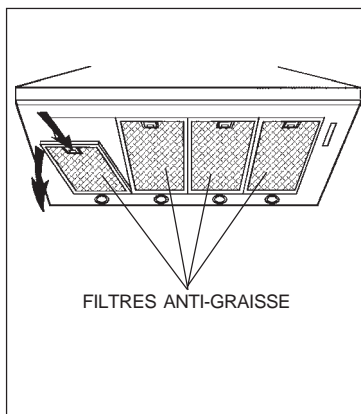
Enlevez les filtres en les poussant vers l'arrière de votre hotte et en les faisant tourner vers le bas.

### **Nettoyage de votre hotte**

L'acier inoxydable est une des matières les plus faciles à nettoyer. Un entretien de temps en temps permettra de le conserver en parfait état. Conseils pour le nettoyage:

- Eau chaude et savon ou détergent est tout ce qui est normalement nécessaire.
- Après chaque nettoyage, rincez bien à l'eau claire. Essuyez avec un chiffon propre et doux afin d'éviter les taches d'eau.
- Si des décolorations ou des dépôts persistent, utilisez un nettoyant domestique non abrasif ou de la poudre pour l'acier inoxydable et un peu d'eau et un chiffon doux.
- Dans les cas difficiles, utilisez une éponge en plastique ou une brosse douce avec du nettoyant et de l'eau. Frottez légèrement en suivant la direction du polissage ou du "grain" de l'acier inoxydable. Evitez de frotter trop fort afin de ne pas abîmer la surface.
- **NE LAISSEZ PAS** les taches trop longtemps.
- **N'UTILISEZ PAS** de laines d'acier ordinaires ou des brosses en acier. Des débris d'acier pourraient adhérer à la surface et causer de la rouille.
- **NE PERMETTEZ PAS** que des solutions salées, des désinfectants, des blanchissants ou des produits nettoyants restent en contact avec l'acier pendant longtemps. Beaucoup de ces produits contiennent des produits chimiques qui pourraient causer des dommages. Rincez à l'eau immédiatement s'ils entrent en contact et essuyez avec un chiffon humide.

Les surfaces peintes doivent être nettoyées avec de l'eau tiède additionnée d'un détergent doux seulement.



## FONCTIONNEMENT

### Commandes

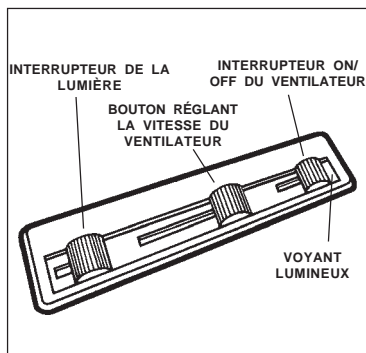
Votre hotte fonctionne grâce à des interrupteurs que vous faites glisser sur le devant de votre hotte.

L'**interrupteur de la lumière** allume et éteint les lampes halogènes.

L'**interrupteur ON/OFF du ventilateur** fait fonctionner le ventilateur à la vitesse établie par le bouton réglant la vitesse. Le ventilateur est mis en marche et arrêté au moyen de cet interrupteur.

Le **bouton réglant la vitesse** sélectionne les différentes vitesses du moteur de 1 à 3.

Le **voyant lumineux** s'allume quand le ventilateur fonctionne.



### HEAT SENTRY<sup>MC</sup>

Votre hotte est munie d'un thermostat HEAT SENTRY<sup>MC</sup>. Ce thermostat est un dispositif qui actionnera ou augmentera la vitesse du ventilateur s'il détecte une chaleur excessive au-dessus de la surface de cuisson.

1) Si le ventilateur n'est pas en marche - il actionnera le ventilateur en haute vitesse.

2) Si le ventilateur fonctionne en basse vitesse - le ventilateur tournera en haute vitesse.

Lorsque la température revient à la normale, le ventilateur retourne à sa vitesse d'origine.

### AVERTISSEMENT

**Le thermostat HEAT SENTRY<sup>MC</sup> peu actionner la hotte même si la hotte est arrêtée. Si tel est le cas, il est impossible de l'arrêter avec l'interrupteur. Si vous devez arrêter le ventilateur, faites-le à partir du panneau électrique principal.**

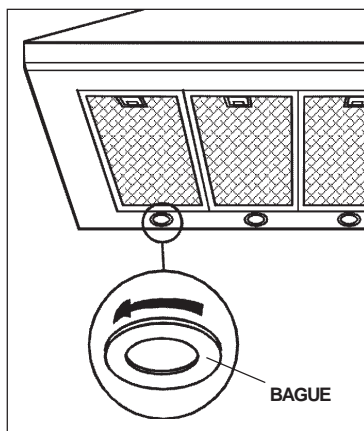
## AMPOULES HALOGENES

Ce modèle de hotte veut 4 ampoules halogènes (Type T3, 12V, 20W, G-4 Base).

**AVANT DE PROCÉDER À QUELCONQUE OPÉRATION, DÉBRANCHEZ L'APPAREIL.**

Pour changer les ampoules:

1. Dévissez la bague dans le sens contraire aux aiguilles d'une montre.
2. Enlevez l'ampoule en tirant sur le côté (NE LA FAITES PAS TOURNER). **ATTENTION: L'AMPOULE PEUT ÊTRE CHAUDE!**
3. Remplacer par une ampoule ayant les mêmes caractéristiques (Type T3, 12V, 20W, G-4 Base). Ne touchez pas l'ampoule neuve de vos mains nues!



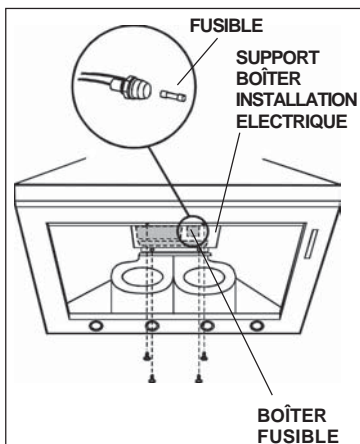
## REEMPLACEMENT FUSIBLE

### DÉBRANCHEZ L'APPAREIL.

Enlevez les filtres anti-graisse.

Démontez le support boîtier installation électrique et ouvrir le boîtier fusible.

Remplacez par un fusible du même type (5x20mm, 4A, 125V).



## GARANTIE

### GARANTIE LIMITÉE DE UN AN DE BROAN

Broan-NuTone LLC (Broan-NuTone) garantit à l'acheteur original que les produits BROAN vendus en vertu de la présente sont libres de tout vice de matériau ou de fabrication pour une période de un an à compter de la date d'achat originale. CETTE GARANTIE NE COMPORTE AUCUNE AUTRE GARANTIE, EXPRESSE OU TACITE, Y COMPRIS, MAIS SANS S'Y LIMITER, LES GARANTIES TACITES DE VALEUR MARCHANDE OU D'ADAPTATION À UN USAGE PARTICULIER. Durant cette période de un an, Broan-NuTone réparera ou remplacera gratuitement, à sa discrétion, tout produit ou toute pièce jugés défectueux dans des conditions normales d'utilisation.

CETTE GARANTIE NE S'APPLIQUE PAS AUX TUBES FLUORESCENTS ET AUX STARTERS, NI AUX AMPOULES HALOGÈNES OU INCANDESCENTES, FUSIBLE, FILTRES, CONDUITES, CHAPEAUX DE TOIT, CHAPEAUX DE MUR ET AUTRES ACCESSOIRES POUR CANALISATIONS. Cette garantie ne couvre pas (a) les frais d'entretien ou de service normaux ni (b) tout produit ou toute pièce soumis à une utilisation inadéquate, une négligence, un accident, un entretien ou une réparation inadéquats (autres que ceux effectués par Broan-NuTone), une mauvaise installation ou une installation contraire aux instructions recommandées.

La durée de toute garantie tacite est limitée à la période de un an stipulée pour la garantie expresse. Certains États ou provinces ne permettent pas de limites quant à la durée d'une garantie implicite. La restriction susmentionnée peut donc ne pas s'appliquer dans votre cas.

BROAN-NUTONE S'OBLIGE POUR BROAN-NUTONE DE RÉPARER OU DE REMPLACER LE PRODUIT, À SA DISCRÉTION, CONSTITUE LE SEUL RECOURS DE L'ACHETEUR EN VERTU DE CETTE GARANTIE. BROAN-NUTONE NE PEUT PAS ÊTRE TENUE RESPONSABLE DE TOUT DOMMAGE INDIRECT, CONSÉCUTIF OU ACCESSOIRE DÉCOULANT DE L'UTILISATION OU DU RENDEMENT DU PRODUIT. Certains États ou provinces interdisent l'exclusion ou la restriction des dommages indirects ou consécutifs. La restriction susmentionnée peut donc ne pas s'appliquer dans votre cas.

La présente garantie vous confère des droits spécifiques reconnus par la loi. D'autres droits pourraient également vous être accordés selon la législation locale en vigueur. La présente garantie remplace toutes les autres garanties précédentes.

Pour le service sous garantie, vous devez (a) aviser Broan-NuTone à l'une des adresses ou numéros de téléphone mentionnés ci-dessous, (b) indiquer le numéro de modèle et d'identification de la pièce et (c) décrire la défectuosité du produit ou de la pièce. Lors d'une réclamation, vous devez présenter une preuve de la date d'achat originale.

In USA - Broan®, 926 W. State Street, Hartford, WI 53027 (800-558-1711)

In Canada - Broan®, 550 Lemire Blvd., Drummondville, QC J2C 7W9 (866-737-7770)

www.Broan.com

# LEA Y CONSERVE ESTAS INSTRUCCIONES

 **INDICADO PARA EL USO EN COCINAS DOMESTICAS** 

  **ADVERTENCIA**

**PARA EVITAR EL RIESGO DE INCENDIO, CORTOCIRCUITO O DAÑO PARA LAS PERSONAS, OBSERVE ATENTAMENTE LAS SIGUIENTES NORMAS:**

1. Use esta unidad solamente de la manera indicada por el fabricante; si tiene dudas, póngase en contacto con éste a la dirección o teléfono indicados en la garantía.
2. Antes de hacer una revisión o de limpiar la unidad, desconéctela de la red para evitar que se encienda de manera accidental. En el caso de que éste no pueda ser desactivado, se indicará nel panel de servicio.
3. El montaje y la instalación eléctrica debe hacerlos un técnico especializado siguiendo las normas estándar e incluyendo aquellas de construcción anti incendio.
4. Necesita aire suficiente para una apropiada combustión y escape de gases a través del tubo del depósito de quema de combustible. Para evitar que el humo aspirado vuelva a la cocina, siga las directivas del fabricante y las normas estándar de seguridad así como las normas publicadas por la Asociación de prevención de incendios (NFPA) y la Sociedad americana de especialistas en cale-facción, refrigeración y aire acondicionado y además las normas de las autoridades locales.
5. Hacer un corte o un taladro en la pared o en el techo no debe dañar la instalación eléctrica u otras instalaciones ocultas en la pared.
6. Los conductos ventiladores deben siempre desalojar al exterior.
7. No use esta unidad con dispositivo de control de la velocidad a estado sólido.
8. Para evitar el riesgo de incendio, use solamente conductos de metal.
9. Esta unidad tiene que ser conectada a tierra.

**PARA EVITAR EL RIESGO DE FUEGO POR ALTO NIVEL DE GRASA:**

- A. Nunca abandone los quemadores con el fuego alto. La cocción causa humo y restos de grasa que pueden arder. Caliente el aceite a fuego medio o bajo.
- B. Encienda siempre la campana cuando cocine a fuego alto o cuando cocine alimentos fácilmente inflamables. (por ejemplo Crepes Suzette, Cerezas Jubilee, Ternera flambeada con granos de pimienta).
- C. Limpie con frecuencia los ventiladores. No se debe acumular grasa en el ventilador o en el filtro.
- D. Usa el tamañ de cazuela apropiado. Use siempre utensilios de cocina de tamaño y material adecuados.

  **ADVERTENCIA**

**PARA EVITAR EL RIESGO DE DAÑOS A PERSONAS EN CASO DE FUEGO POR ALTO NIVEL DE GRASA, TENGA EN CUENTA LO SIGUIENTE:\***

1. SOFOQUE LA LLAMA con una tapadera apropiada, una bandeja metálica ó un utensilio de cocina que pueda cubrirla, despues, apague el quemador. ACTÚE CON PRECAUCIÓN PARA EVITAR QUEMADURAS. Si la llama no se extingue inmediatamente, SALGA Y LLAME A LOS BOMBEROS.
2. NUNCA COJA UNA SARTEN EN LLAMAS, porque corre el riesgo de quemarse.
3. NO USE AGUA ni paños o toallas húmidas porque puede provocarse una violenta humareda.
4. Use un extintor SOLAMENTE si:
  - A. Posee un extintor de clase ABC y sabe perfectamente cómo usarlo.
  - B. El fuego es pequeño y está controlado en el mismo sitio en que empezó.
  - C. Ha llamado con anterioridad a los bomberos.
  - D. Puede combatir el fuego retrocediendo hacia la salida.

\* Basado en "Seguridad antifuego en la cocina" publicado por NFPA.



## ADVERTENCIA

---

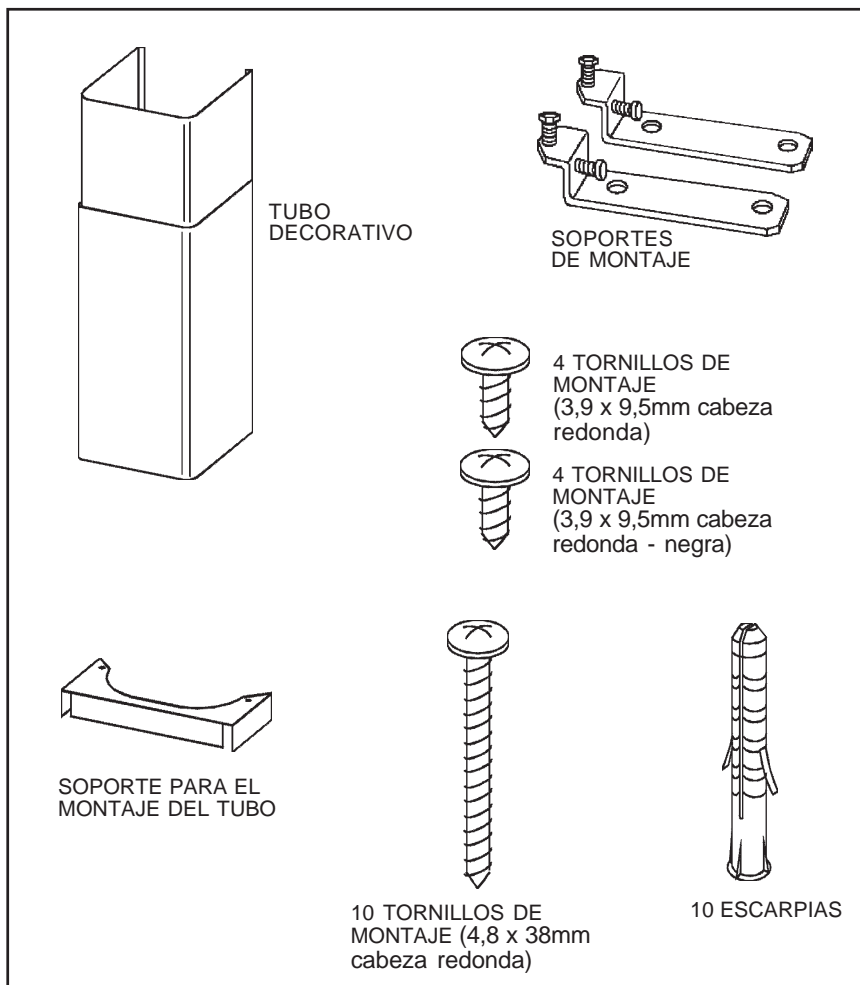
1. Para uso en interiores.
2. Para reducir el riesgo de incendios y para evacuar correctamente los humos, asegurarse de haber realizado una conducción del aire hasta el exterior. No expulsar los humos en espacios cerrados por paredes o techos, áticos, espacios angostos o garajes.
3. Prestar la máxima atención al utilizar productos de limpieza o detergentes.
4. Evitar el uso de productos alimentarios que puedan inflamarse bajo la campana.
5. Sólo para ventilación total. No use gases de escape peligrosos o materiales y vapores explosivos.
6. Para evitar daños en el funcionamiento del motor e impulsores ruidosos y/o desequilibrados, mantenga alejados de la unidad de encendido pulverizadores en seco o polvo.
7. El motor tiene un nivel de sobrecarga térmica que apaga automáticamente el motor cuando se ha recalentado excesivamente. El motor se pone de nuevo en funcionamiento cuando la temperatura baja. Si el motor comienza a encenderse y a apagarse, deberá hacer una revisión de éste.
8. Para limpiar mejor las impurezas al cocinar, la distancia entre la parte inferior de la campana y la zona de cocción debe ser mínimo 24" - máximo 30".
9. Debido a su gran tamaño y peso, se recomienda su montaje por parte de dos técnicos especializados.
10. Este producto está dotado de un termostato que pone en marcha automáticamente el motor. Para reducir el riesgo de daños y evitar que se encienda accidentalmente, colocar el interruptor del panel de servicio en la posición OFF y bloquear el panel de servicio o colocar una advertencia externa como por ejemplo un letrero o una chapita.
11. Se recomienda leer la placa de características del producto para ulterior información.
12. **No opere ningún ventilador con un cable o enchufe dañado. Deseche ventilador o volver a un centro de servicio autorizado para la inspección y / o reparación.**

## PREPARE LA CAMPANA

Sacar la campana de l'embalaje y controlar el contenido.

Recivireis:

- 1 - Campana
- 1 - Tubo decorativo
- 1 - Soporte para el montaje del tubo
- 1 - Bolsita (B08081196) con:
  - 2 - Soportes de montaje
  - 10 - Tornillos de montaje (4,8 x 38mm cabeza redonda)
  - 4 - Tornillos de montaje (3,9 x 9,5mm cabeza redonda)
  - 4 - Tornillos de montaje (3,9 x 9,5mm cabeza redonda - negra)
  - 10 - Escarpías
- 1 - Instrucciones para instalación

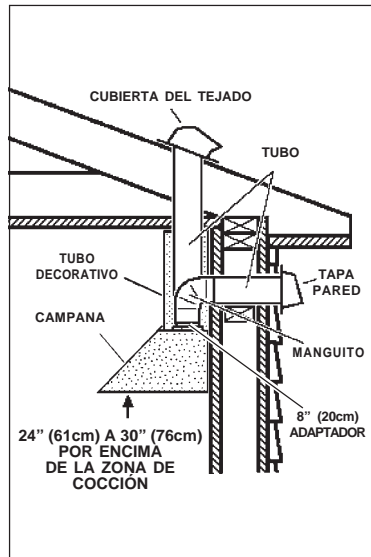




## INSTALACION DEL TUBO DE EXTRACCION

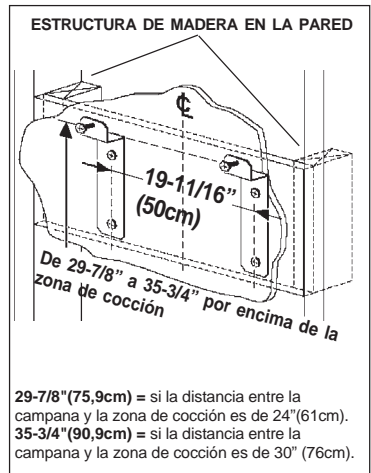
**NOTA: para evitar el riesgo de incendio, use solamente material de metal.**

1. Decida donde va a colocar el tubo de extracción entre la campana y la parte exterior.
2. Un recorrido de tubo corto y recto permitirá a la campana funcionar de manera más eficaz.
3. Los recorridos largos de tubo, codos y manguitos impiden el buen funcionamiento de la campana. Use el menor número de ellos posible. Para usos prolongados es necesario un tubo de evacuación del aire de mayor diámetro.
4. Instale una cubierta ó una tapa. Una el tubo de metal a la cubierta y retroceda hasta la posición de la campana. Use una cinta para precintar las juntas entre las partes del entubado.



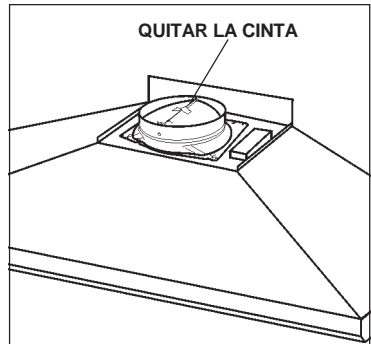
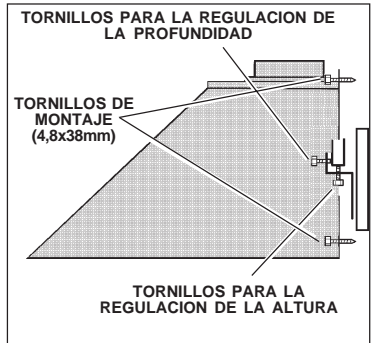
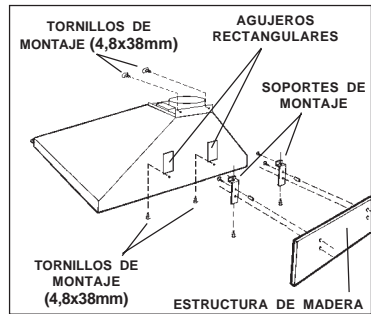
## INSTALACION DE LOS SOPORTES PARA EL MONTAJE

1. Construya una **estructura de madera** en la pared que quedará nivelada con la parte interior de los tacos en la pared. Asegúrese de que:
  - a) La estructura se encuentra centrada por encima de la instalación del tubo.
  - b) La altura de la estructura permite fijar los **soportes** para el montaje en esta estructura siguiendo las dimensiones indicadas.
2. Una vez que la superficie de la pared esté acabada, sujete los soportes para el montaje siguiendo las dimensiones indicadas.



# INSTALACION DE LA CAMPANA

1. Cuelgue la campana de los soportes por los **agujeros rectangulares** situados detrás de la campana. Los agujeros son más grandes que los soportes para permitir el ajuste en horizontal. La parte inferior de la campana debe estar a una distancia de 24" ó 30" por encima de la zona de cocción.
2. Los **tornillos para la regulación de la altura** permiten un ajuste en vertical.
3. Los **tornillos para la regulación de la profundidad** permiten un ajuste en horizontal.
4. Sujete la campana con **tornillos de montaje** (4,8x38mm). Use escarpas si no dispone de tacos o de la estructura de soporte en madera.
5. Quitar la cinta adhesiva en la válvula.



DISTANCIA DE LA CAMPANA POR ENCIMA DE 36" SOBRE LA SUPERFICIE DE LA COCINA			
	Techo 8'	Techo 9'	Techo 10'
Tubos Standard	Min. 24 - 29 ¼	25 - plus 30"	-

## INSTALACION ELECTRICA

**Nota:** Este tipo de campana tiene que ser conectada a tierra cuidadosamente. La unidad debe instalarla un técnico electricista siguiendo las normas nacionales y locales.

**INSTRUCCIONES DE CONEXIÓN A TIERRA**  
Este aparato se debe conectar a tierra. En caso de cortocircuito, la conexión a tierra reduce el riesgo de electrocución ya que posee un hilo de descarga a tierra para la corriente. Este aparato está equipado con un cable que posee un hilo de toma de tierra con una clavija de tierra. La clavija se debe conectar a un enchufe instalado correctamente y conectado a tierra.

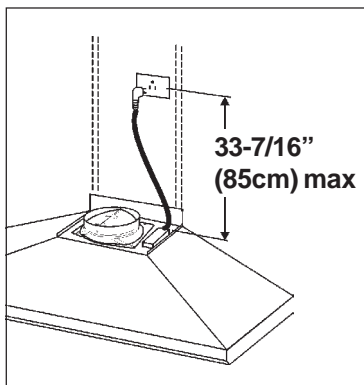
**ADVERTENCIA-** una conexión a tierra incorrecta puede provocar riesgos de electrocución.

Consulte a un electricista calificado si no se entienden o si existe alguna duda sobre la correcta conexión a tierra.

No utilice un cable de prolongación. Si el cable proporcionado es demasiado corto, póngase en contacto con un electricista calificado para que instale un enchufe cerca del aparato.

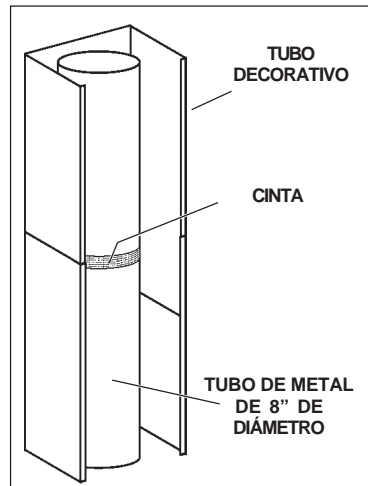
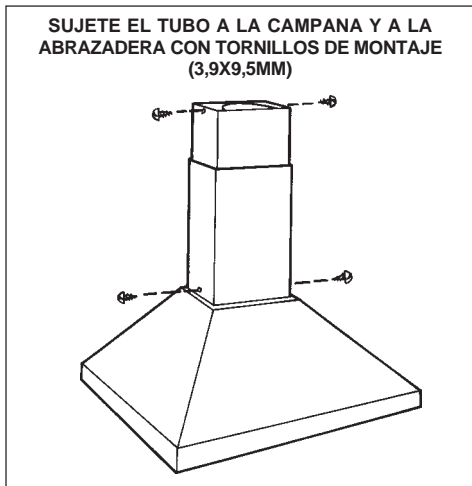
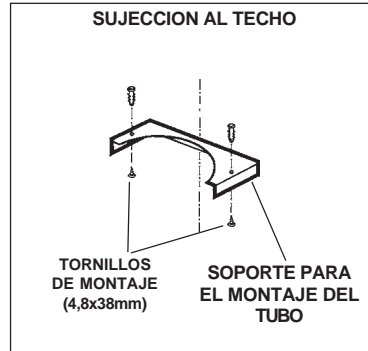
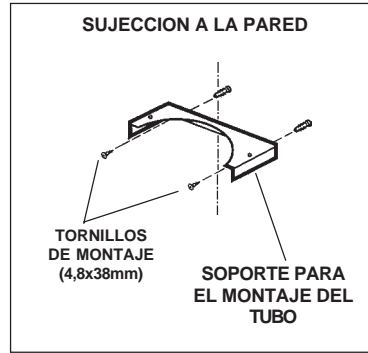
Conecte la alimentación eléctrica en el espacio cubierto por el tubo decorativo. Coloque el enchufe a una distancia máxima de 33-7/16" (85 cm) desde el cable de la campana (véase figura adjunta). Asegúrese de que no interfiera con el tubo decorativo (donde el tubo decorativo toca con la pared).

Conecte la clavija al enchufe.



## ENTUBADO DE CANALIZACION

1. Use (2) tornillos (4,8x38mm) y escarpías para fijar al techo o a la pared **el soporte para el montaje del tubo** como se indica.
2. Use un **tubo de metal de 8"** (20cm) de diámetro para unir el casquillo que se encuentra encima de la campana al tubo de extracción situado arriba.
3. Use **cinta** para ajustar todas las juntas y que quede hermético.
4. Una el tubo decorativo superior al soporte con los tornillos de montaje (3,9x9,5mm).
5. Deslice el tubo decorativo inferior hacia abajo hasta que ajuste perfectamente con la campana.
6. Sujete el tubo decorativo inferior a la campana por medio de los tornillos de montaje (3,9x9,5mm).



## MANTENIMIENTO

Un mantenimiento adecuado de la campana asegura el funcionamiento correcto del aparato.

### **Filtros antigrasa**

Los **filtros antigrasa** deben limpiarse a menudo. Use un detergente que no sea fuerte. Los filtros antigrasa se pueden meter en el lavavajillas.

Extraiga los filtros tirando de ellos hacia atrás de la campana y girándolos hacia abajo.

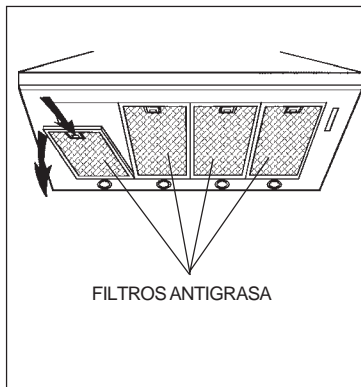
### **Limpieza de la campana**

El acero inoxidable es uno de los materiales más fáciles de limpiar, pero sería aconsejable un especial cuidado en su uso para mantenerla en buen estado.

La campana se puede limpiar de las siguientes maneras:

- Agua caliente con jabón o detergente es la mejor manera para limpiarla.
- Aclárela con agua corriente, séquela con un paño suave y limpio para evitar las huellas que deja el agua.
- Para las manchas o restos de grasa que persistan, use un producto químico doméstico que no raye ó un limpiador para acero inoxidable con poca agua y un paño suave.
- Si las manchas persisten, use un estropajo y un cepillo de cerdas suaves con un producto limpiador y agua. Frote suavemente en el sentido del pulido o de las “vetas” del remate del inoxidable. No apriete demasiado porque podría dañar la superficie.
- No deje que las manchas se acumulen durante mucho tiempo.
- No use utensilios o cepillos de acero. Pequeñas partículas de acero pueden adherirse y oxidarse.
- No use soluciones salinas, desinfectantes, lejías, o productos de limpieza que permanezcan en contacto con el acero inoxidable durante largos periodos de tiempo. Muchos de estos productos contienen componentes químicos que podrían resultar nocivos. Aclare con agua y seque con un paño limpio.

Las superficies lacadas deben limpiarse solamente con agua tibia y detergente no muy fuerte.



## FUNCIONAMIENTO

### Mandos

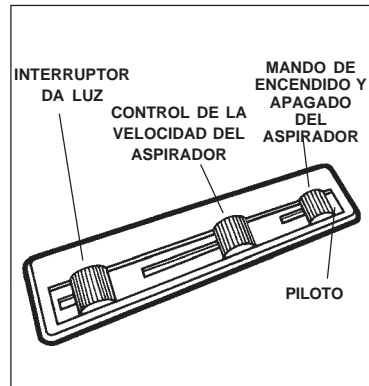
La campana se pone en funcionamiento usando los mandos situados abajo de la parte frontal de la campana.

El **interruptor sa luz** enciende y apaga las lámparas halógenas.

El **mando de encendido y apagado del aspirador** pone éste en posición de encendido junto con el control de la velocidad.

El **control de velocidad del aspirador** cambia la velocidad dal aspirador entre las posiciones 1 y 3.

El **piloto** se enciende cuando el aspirador está funcionando.



### HEAT SENTRY<sup>MC</sup>

Su campana esta equipada con termostato HEAT SENTRY<sup>MC</sup>. Este termostato tiene un mecanismo que se encenderáo aceleraráel ventilador si se detecta un calor excesivo encima de la cocina.

1) Si el ventilador esta apagando - el se prenderá a una velocidad máxima.

2) Si el ventilador esta encendido a una velocidad minima - el se prenderá a una velocidad máxima.

Cuando la temperatura disminuye a un nivel normal, el ventilador vuelve a la función de origen.

### AVERTENCIA

**EI HEAT SENTRY<sup>MC</sup> termostato puede comenzar a funcionar al igual si la campana esta parada. En este caso, es imposible parar el ventilador con los interruptores. Si usted para la campana, halago a partir del panel eléctrico principal.**

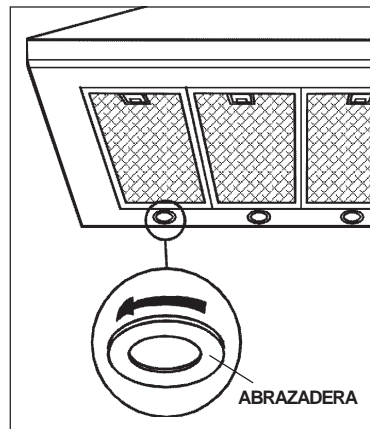
## LAMPARAS HALOGENAS

Este tipo de campana necesita 4 lámparas halógenas (Tipo T3, 12V, 20W, G-4 Base).

**ANTES DE PROCEDER A CUALQUIER OPERACIÓN, ES NECESARIO DESCONECTAR EL APARATO.**

Para cambiar las lámparas:

1. Destornillar la abrazadera en sentido antihorario.
2. Extraiga la lámpara oblicuamente (NO LA GIRE) - **ATENCIÓN: LAS LÁMPARAS PUEDEN ESTAR CALIENTES.**
3. Sustituir con lámparas del tipo (T3, 12V, 20W, G-4 Base). No toque la lámpara de rpuesto con las manos desnudas.



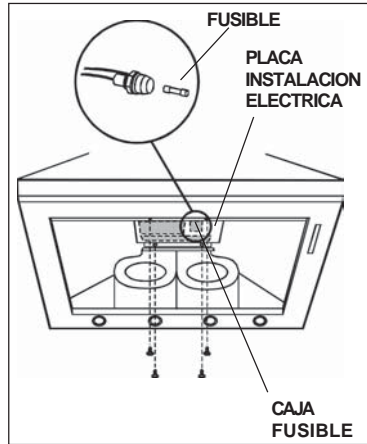
# SUSTITUCION FUSIBLE

## DESCONECTAR EL APARATO.

Remover los filtros antigrasa.

Desmontar la placa de la instalación eléctrica y abrir la caja fusible.

Sustituir por un fusible del mismo tipo (5x20mm, 4A, 125V).



# GARANTIA

## GARANTIA BROAN POR UN AÑO

Broan-NuTone LLC (Broan-NuTone) garantiza al consumidor-comprador de sus productos BROAN que dichos productos no tendrán defectos en los materiales o fabricación, durante un periodo de un año a partir de la fecha de la compra. NO HAY OTRO TIPO DE GARANTIAS QUE INCLUYAN O SE LIMITEN EXCLUSIVAMENTE A GARANTIAS IMPLICITAS O DE CAPACIDAD COMERCIAL O CONVENIENCIA PARA UN PROPOSITO ESPECIFICO.

Durante el periodo de un año, Broan-NuTone, si lo estima conveniente, reparará o reemplazará sin gastos para el usuario cualquier producto o parte de éste que sea defectuosos habiéndose usado correctamente.

ESTA GARANTIA NO CUBRE: ESTARTER DE NEON, NEON, LÁMPARAS HALÓGENAS, LÁMPARAS DE ILUMINACIÓN, FUSIBLE, FILTROS, CONDUCTOS, TAPAS DE TECHO, TAPAS DE PARED Y OTROS ACCESORIOS PARA LOS CONDUCTOS. Tampoco cubre el mantenimiento ni los productos o partes de éstos que hayan sido usados de forma incorrecta, con negligencia, rotos accidentalmente o por una incorrecta manutención ó reparación (distinta da la realizada por Broan-NuTone), montaje incorrecto ó instalación que no se ajuste a las instrucciones de montaje indicadas.

La duración de la garantía se limita al periodo de un año como está especificado en la garantía explícita. Algunos países no permiten un límite en la duración de la garantía implícita; si es así en su caso, esta limitación arriba indicada podría no aplicarse.

LA PRESENTE GARANTIA CUBRIRA EXCLUSIVAMENTE AL COMPRADOR LOS SERVICIOS DESCRITOS ANTERIORMENTE. BROAN-NUTONE NO SE HACE RESPONSABLE DE DANOS PRODUCIDOS DE MANERA ACCIDENTAL O RELACIONADOS CON EL USO INCORRECTO DEL PRODUCTO O SU FUNCIONAMIENTO.

Algunos países no permiten la exclusión o limitación de los daños producidos de manera accidental, si es así en su caso, esta limitación arriba indicada podría no aplicarse. Esta garantía le da derechos legales específicos y podría también disponer de otros derechos que varían de país a país.

Esta garantía supera otras garantías dadas con anterioridad. Para disfrutar de la garantía usted deberá (a) Avisar a la dirección abajo indicada ó bien llamar por teléfono (b) Dar el número de serie del modelo correspondiente o bien una descripción de la parte averiada, (c) Descripción del defecto en el producto o bien en una de sus partes. Para requerir un servicio en garantía debe presentar el justificante con la fecha de la compra.

In USA - Broan®, 926 W. State Street, Hartford, WI 53027 (800-558-1711)

In Canada - Broan®, 550 Lemire Blvd., Drummondville, QC J2C 7W9 (866-737-7770)

www.Broan.com

## SERVICE PARTS

**MODEL 614804** - Parts for stainless steel models shown. For service parts for black, white, polished brass, or brushed copper models, call Broan Customer Service.

KEY NO.	PART NO.	DESCRIPTION
9	B08087136	Grease Filter (n. 4)
14	B02300233	Motor Capacitor
16	BE3345326	Electrical Box Support
19	B03295005	Transformer Protection
26	B02300891	Halogen Lamp Bulb
30	B03292291	Switch Cover
37	B02300787	Heat Sentry
39	B03294033	Electrical Box Cover
42	B03295001	Ductfree Filter Bracket
45	BW0000072	Blower
48	B02310183	Motor
49	B03295071	Blower Wheel
53	B03204177	Rubber Washer
60	B02300249	Feeder Cable
113	B02011314	Nameplate
118	BE3341301	Decorative Flue Bottom
119	BE3341311	Decorative FlueTop
120	BE3300517	Flue Mounting Bracket
144	B03292287	Wire Clamp
145	B032920170	Feeder Cable Connection Box
146	B032920180	Feeder Cable Connection Box Cover
147	BR2300132	Junction Clamp
147	BR2300135	Junction Clamp
151	B032920200	Electrical Box Wires Stop
165	B03294781	Electrical Box
165	B03295008	Junction Clamp Box
166	B08086668	Junction Clamp
195	BE3403629	Upper Support
208	B02300729	Transformer
274	B03295035	Fuse Box
407	B08091601	Motor Support
472	BE3345233	Connection Box Support
474	B02300789	Halogen Lamp Housing
477	B03295006	Transformer Protection Cover
998	B08081196	Hardware Package
*	B06001997	Blower Assembly (Includes Key Nos. 42, 48, 49, 53, 68, 69)
AQI	B06108054	Switch Box Assembly (Includes Keys No. 222, 223, 226, 225, 224, 228, 229, 230, 165, 166)
ARU	B08092501	Discharge Collar Assembly (Includes Keys No. 56, 57)
-	B02300782	Fuse
-	B02300674	Fuse Holder

\* Not shown assembled.



## LISTE PIECES DE RECHANGE

**MODELE 614804** - Ci-dessous liste pièces de rechange pour hottes en inox. Pour les pièces de recharge des modèles de couleurs noir, blanc, laiton jaune poli, cuivre brossé, contacter Broan Customer Service.

N.	PART N.	DESCRIPTION
9	B08087136	Filter anti-graisse (n. 4)
14	B02300233	Condensateur
16	BE3345326	Support boîte installation électrique
19	B03295005	Boîte borne
26	B02300891	Lampe halogène
30	B03292291	Couvercle commandes
37	B02300787	Thermostat Heat Sentry
39	B03294033	Couvercle boîte installation électrique
42	B03295001	Support filtre
45	BW0000072	Convoyer
48	B02310183	Moteur
49	B03295071	Turbine du moteur
53	B03204177	Pare chocs
60	B02300249	Cable alimentation
113	B02011314	Plaquette logo
118	BE3341301	Tube inférieur
119	BE3341311	Tube supérieur
120	BE3300517	Etrier montage tube
144	B03292287	Serre cable
145	B032920170	Boîte cable alimentation
146	B032920180	Couvercle boîte cable alimentation
147	BR2300132	Borne
147	BR2300135	Borne
151	B032920200	Serre cable
165	B03294781	Boîte installation électrique
165	B03295008	Boîte borne
166	B08086668	Borne
195	BE3403629	Support supérieur
208	B02300729	Trasformateur
274	B03295035	Boîte fusible
407	B08091601	Support moteur
472	BE3345233	Support boîte installation électrique
474	B02300789	Boîte lampe halogène
477	B03295006	Couvercle de la protection transformateur
998	B08081196	Accessoires de fixation
*	B06001997	Ensemble moteur (Comprenant n. 42, 48, 49, 53, 68, 69)
AQI	B06108054	Ensemble commandes (Comprenant n. 222, 223, 226, 225, 224, 228, 229, 230, 165, 166)
ARU	B08092501	Ensemble collier d'évacuation (Comprenant n. 56, 57)
-	B02300782	Fusible
-	B02300674	Porte-fusible

\* Illustrées separement.

## LISTA DE PIEZAS DE RECAMBIO

**MODELO 614804** - Aquí aparecen solamente las piezas de recambio para campanas de acero inoxidable, si desean las piezas de recambio de los modelos en blanco, negro, latón lustrado ó cobre acepillado, pónganse en contacto con el servicio al cliente de Broan.

CÓD. N.	PIEZA N.	DESCRIPCIÓN
9	B08087136	Filtro antigrasa (n. 4)
14	B02300233	Condensador
16	BE3345326	Soporte de la caja de instalación eléctrica
19	B03295005	Caja del cuadro eléctrico
26	B02300891	Lámpara halógena
30	B03292291	Tapa de la caja de mandos
37	B02300787	Termostato Heat Sentry
39	B03294033	Tapa de la caja de instalación eléctrica
42	B03295001	Soporte filtro
45	BW0000072	Convoyador
48	B02310183	Motor
49	B03295071	Manilla del motor
53	B03204177	Almohadilla antivibraciones
60	B02300249	Cabos
113	B02011314	Placa marca
118	BE3341301	Tubo decorativo inferior
119	BE3341311	Tubo decorativo superior
120	BE3300517	Soporte de montaje del tubo
144	B03292287	Sujeta cabos
145	B032920170	Caja cabos alimentación
146	B032920180	Tapa de la caja cabos alimentación
147	BR2300132	Terminal
147	BR2300135	Terminal
151	B032920200	Sujeta cabos
165	B03294781	Caja de instalación eléctrica
165	B03295008	Caja terminal
166	B08086668	Terminal
195	BE3403629	Soporte superior
208	B02300729	Trasformador
274	B03295035	Caja fusible
407	B08091601	Soporte motor
472	BE3345233	Soporte caja de alimentación
474	B02300789	Caja de la lámpara halógena
477	B03295006	Tapa del cuadro eléctrico
998	B08081196	Accesorios para el montaje
*	B06001997	Conjunto motor (Incluye los N. 42, 48, 49, 53, 68, 69)
AQI	B06108054	Conjunto mandos (Incluye los N. 222, 223, 226, 225, 224, 228, 229, 230, 165, 166)
ARU	B08092501	Conjunto casquillo (Incluye los N. 56, 57)
-	B02300782	Fusible
-	B02300674	Portafusible

\* Se encuentran por separado.

# SERVICE PARTS - LISTE PIECES DE RECHANGE - LISTA DE PIEZAS DE RECAMBIO

## MODEL 61000 (48" VERSIONS)

