

Slim lines and graceful radiused combine to make Tenaya the perfect companion to today's contemporary kitchens. This beautiful design includes halogen lighting to light the cooktop and make cooking a pleasure.



SIZE	BLACK	STAINLESS	WHITE	GREASE FILTER (replacement)	NON-DUCTED FILTER
30 in.	TEN130BL	TEN130SS	TEN130WW	HPFA (Type "A0")	HPF1 (Type "Xa")
36 in.	TEN136BL	TEN136SS	TEN136WW	HPFA (Type "A0")	HPF1 (Type "Xa")

HVI PERFORMANCE								
Duct Orientation	Size	Damper	Sones		CFM			
			Normal	High	Normal	High 0.25 in. w.g.	High 0.1 in. w.g.	
Vertical - Rectangular	3¼ in. x 10 in.	Included	1.5	5.0	130	130	220	
Horizontal - Rectangular	3¼ in. x 10 in.	Included	1.5	5.0	110	120	210	
Round - Vertical	7 in.	Sold Separately	1.5	5.0	150	100	240	

FEATURES	
Max. Blower CFM*	300
Control type	2-speed Rocker
Delay off	no
Filter Clean Reminder	no
Heat Sentry™	no
ADA Capable	yes
Lighting	2-level Halogen (not included)
Grease Filter	Open Mesh (Qty. 1)
Installation Hardware	Standard
ENERGY STAR®	no
Recirculation	Non-ducted filter sold separately

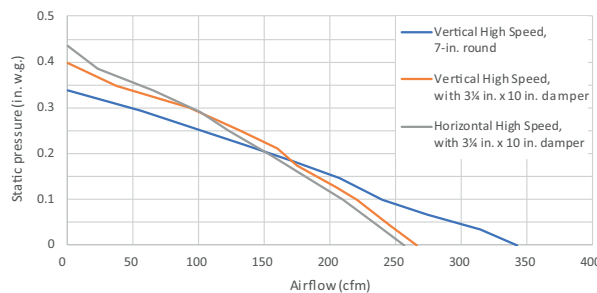
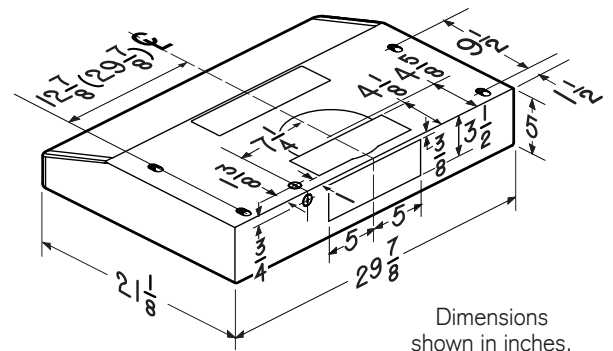
AC INPUT	
120 V, 60 Hz - 1.4 AMPS	

OPTIONAL ACCESSORIES	
7-in. Round Damper	BP87Q
Make-up Air Dampers	MD6TU, MD8TU and MD10TU

MOUNTING HEIGHT	
18 in. to 24 in. from cooktop to bottom of hood	

LIMITED WARRANTY	
1-year (See installation manual for full warranty text.)	

FOR INDOOR USE ONLY



HVI-2100 CERTIFIED RATINGS comply with new testing technologies and procedures prescribed by the Home Ventilating Institute, for off-the-shelf products, as they are available to consumers. Product performance is rated at 0.1 and 0.25 in. static pressure at high speed based on tests conducted in an HVI-approved state-of-the-art test laboratory. Sones are a measure of humanly-perceived loudness, based on laboratory measurements.

* Where noted performance rating is not HVI certified but was established in accordance with HVI Standardized test procedure.