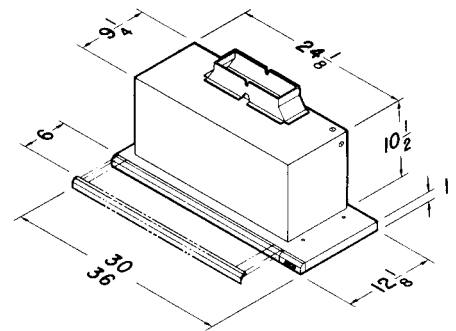




## Broan Elite 15000 Series

This slim design merges perfectly with the style of any kitchen. Its unseen advantages include quiet, powerful ventilation performance along with a hood that can be hidden away when not being used.

- Compact, trim styling complements any kitchen
- Fan and light automatically turn on when you slide out the clear glass visor; shut off when pushed in
- Energy-efficient, 24" fluorescent light with prismatic glass lens provides bright, even cooktop lighting (F20T12 bulb not included)
- Infinitely adjustable blower control conveniently located up front; features blower memory – when activated, unit automatically “memorizes” the last setting you selected
- Includes 3¼" x 10" duct adapter with built-in damper



Dimensions shown are in inches.

### SPECIFICATIONS

| WIDTH | STAINLESS STEEL | WHITE   | BLACK   | VOLTS | AMPS | CFM | SONES | DUCT      |
|-------|-----------------|---------|---------|-------|------|-----|-------|-----------|
| 30"   | 153004N*        | 153001N | 153023N | 120   | 3.7  | 300 | 4.5   | 3¼" x 10" |
| 36"   | 153604N*        | —       | —       | 120   | 3.7  | 300 | 4.5   | 3¼" x 10" |

### OPTIONS

99010175 Replacement Foam Filter

\* Brushed aluminum material.



87431B/11/10