

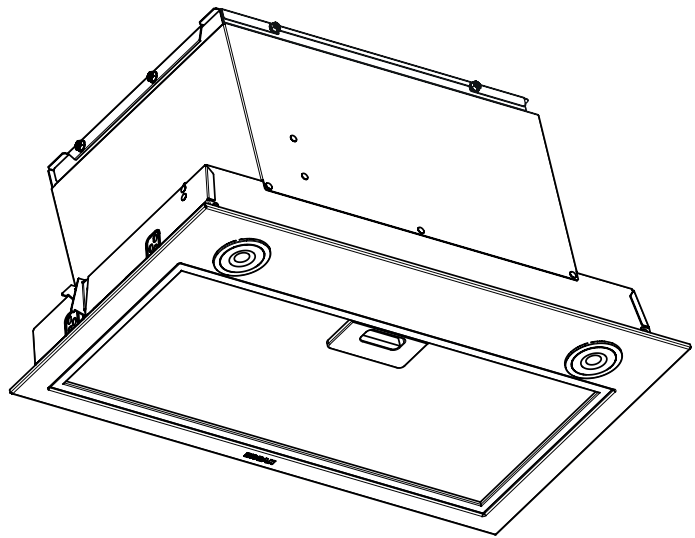


BROAN

Powerpack Insert

Model number: PMA400SS

INSTALLATION, USE & CARE INSTRUCTIONS



Serial number:

Safety	3-4
Installation	5-16
Recommended Tools and Accessories	5
Contents	5
Install Ductwork (Ducted Installations Only)	6
Install the Wall Switches	6
Optional Liners	7
Remove the Adapter/Damper	7
Remove the Cabinet Brackets	7
Prepare the Cabinet	8-10
Prepare the Unit	11-12
Install the Unit	13-15
Connect Ductwork	15
Wiring	16
Install the Filter	16
Operation	17
Maintenance and Cleaning	18
Grease Filter	
Non-Ducted Recirculation Filter	
Stainless Steel Cleaning	
Wiring Diagram	19
Service Parts	20
Warranty	21

To register your product, please visit our website:
In the United States - broan-nutone.com
In Canada - broan-nutone.ca

For Technical Support, call:
In the United States - 800-637-1453
In Canada - 800-567-3855

**Installer: Leave this manual with the homeowner.
READ AND SAVE THESE INSTRUCTIONS**

⚠ Intended for domestic cooking only ⚠

⚠ WARNING



TO REDUCE THE RISK OF FIRE, ELECTRIC SHOCK, OR INJURY TO PERSONS, OBSERVE THE FOLLOWING:



- Use this unit only in the manner intended by the manufacturer. If you have questions, contact the manufacturer at the address or telephone number listed in the warranty.
- Before servicing or cleaning unit, switch power off at service panel and lock the service disconnecting means to prevent power from being switched on accidentally. When the service disconnecting means cannot be locked, securely fasten a prominent warning device, such as a tag, to the service panel.
- Installation work and electrical wiring must be done by a qualified person(s) in accordance with all applicable codes and standards, including fire-rated construction codes and standards.
- Sufficient air is needed for proper combustion and exhausting of gases through the flue (chimney) of fuel burning equipment to prevent backdrafting. Follow the heating equipment manufacturer's guideline and safety standards such as those published by the National Fire Protection Association (NFPA), and the American Society for Heating, Refrigeration and Air Conditioning Engineers (ASHRAE), and the local code authorities.
- When cutting or drilling into wall or ceiling, do not damage electrical wiring and other hidden utilities.
- Ducted fans must always be vented to the outdoors.
- Do not use this unit with any separate solid-state speed control device.
- To reduce the risk of fire, use only metal ductwork.
- This unit must be grounded.
- When installing, servicing or cleaning the unit, it is recommended to wear safety glasses and gloves.
- When applicable local regulations comprise more restrictive installation and/or certification requirements, the aforementioned requirements prevail on those of this document and the installer agrees to conform to these at his own expense.



⚠ WARNING



TO REDUCE THE RISK OF A RANGE TOP GREASE FIRE:

- A. Never leave surface units unattended at high settings. Boilovers cause smoking and greasy spillovers that may ignite. Heat oils slowly on low or medium settings.
- B. Always turn hood ON when cooking at high heat or when flambing food (i.e. Crepes Suzette, Cherries Jubilee, Peppercorn Beef Flambé).
- C. Clean ventilating fans frequently. Grease should not be allowed to accumulate on fan or filter.
- D. Use proper pan size. Always use cookware appropriate for the size of the surface element.

TO REDUCE THE RISK OF INJURY TO PERSONS IN THE EVENT OF A RANGE TOP GREASE FIRE, OBSERVE THE FOLLOWING:*

1. SMOTHER FLAMES with a close-fitting lid, cookie sheet, or metal tray, then turn off the burner. BE CAREFUL TO PREVENT BURNS. If the flames do not go out immediately, EVACUATE AND CALL THE FIRE DEPARTMENT.
2. NEVER PICK UP A FLAMING PAN - You may be burned.
3. DO NOT USE WATER, including wet dishcloths or towels - violent steam explosion will result.
4. Use an extinguisher ONLY if:
 - A. You know you have a Class ABC extinguisher and you already know how to operate it.
 - B. The fire is small and contained in the area where it started.
 - C. The fire department is being called.
 - D. You can fight the fire with your back to an exit.

* Based on "Kitchen Fire Safety Tips" published by NFPA.

⚠ CAUTION



- For indoor residential use only.
- To reduce risk of fire and to properly exhaust air, be sure to duct air outside. Do not vent exhaust air into spaces within walls or ceilings or into attics, crawl spaces, or garages.
- Take care when using cleaning agents or detergents.
- Avoid using food products that produce flames under the Range Hood.
- For general ventilating use only. Do not use to exhaust hazardous or explosive materials and vapors.
- To avoid motor bearing damage and noisy and/or unbalanced impellers, keep drywall spray, construction dust, etc. off power unit.
- Your hood motor has a thermal overload which will automatically shut off the motor if it becomes overheated. The motor will restart when it cools down. If the motor continues to shut off and restart, have the hood serviced.
- The bottom of the hood MUST NOT BE LESS than 24" and recommended at a maximum of 30" above the cooktop for best capture of cooking impurities.
- Use only with range hood cord connection kits that have been investigated and found acceptable for use with this model range hood.
- Please read specification label on product for further information and requirements.

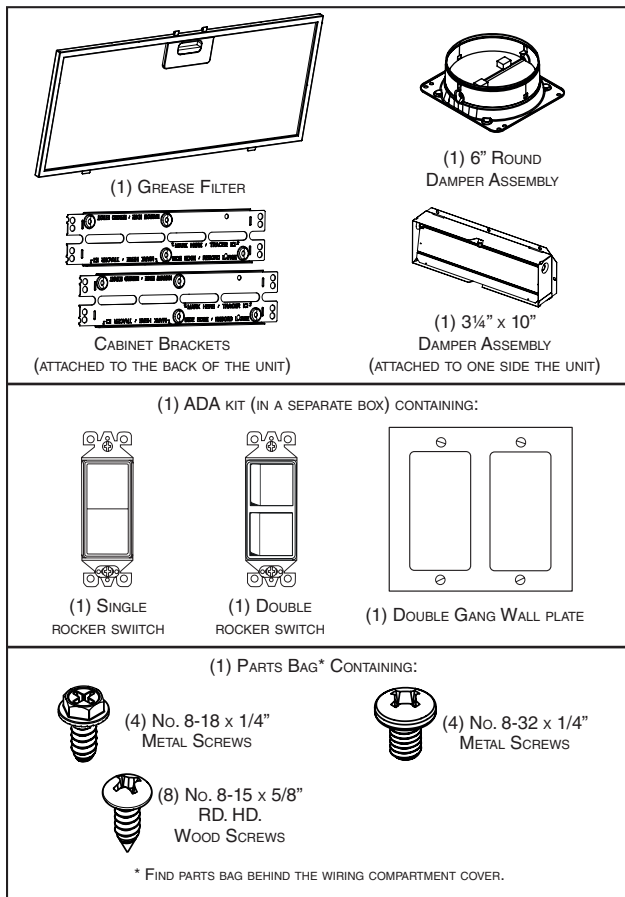
RECOMMENDED TOOLS AND ACCESSORIES

- Measuring tape
- Phillips screwdriver no. 2
- Nut driver or socket 3/8"
- Flat blade screwdriver (to open knockout holes)
- Saw (to cut holes in cabinet)
- Sheet metal shears
- Pliers
- Metal foil duct tape
- Scissors (to cut metal foil duct tape)
- Pencil
- Wire stripper
- 2 Strain reliefs, 7/8" diameter
- 8 Appropriate wire nuts
- 14/3 Cable (suitable for at least 90° C (194° F))
- 14/2 Cable (suitable for at least 90° C (194° F))
- Liner (optional)

CONTENTS

Before proceeding to the installation, check the contents of the box. If items are missing or damaged, contact the manufacturer.

Make sure that the following items are included:



INSTALL THE DUCTWORK (DUCTED INSTALLATION ONLY)

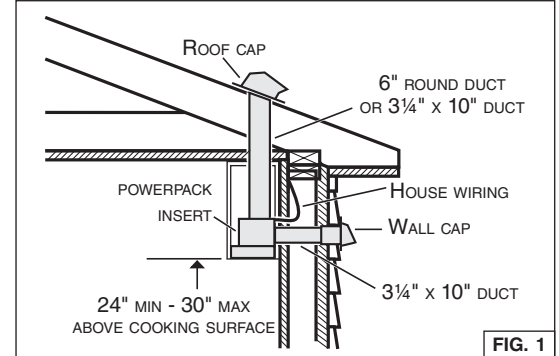
NOTE: To reduce the risk of fire, use only metal ductwork.

1. Decide where the ductwork will run between the powerpack insert and the outside. (FIG. 1)
2. The ducting from this fan to the outside of the building has a strong effect on the air flow, noise and energy use of the fan. Use the shortest, straightest duct routing possible for best performance, and avoid installing the fan with smaller ducts than recommended. Insulation around the ducts can reduce energy loss and inhibit mold growth. Fans installed with existing ducts may not achieve their rated airflow. Refer to the table below to help you plan the most efficient installation.
3. Install wall cap or roof cap (sold separately). Connect metal ductwork to cap and work back towards the powerpack insert location. Use 2" metal foil duct tape to seal the joints between ductwork sections.

MAXIMUM DUCT LENGTH RECOMMENDED TO ACHIEVE 80% EXHAUST EFFICIENCY

3¼" x 10" HORIZONTAL MAXIMUM DUCT LENGTH	3¼" x 10" VERTICAL MAXIMUM DUCT LENGTH	6" ROUND MAXIMUM DUCT LENGTH	ROOF OR WALL CAP WITH DAMPER	ELBOW(S)* (90° AND /OR 45°)
52 ft.	83 ft.	64 ft.	1	0
43 ft.	74 ft.	55 ft.	1	1
35 ft.	66 ft.	46 ft.	1	2

*Standard elbows with 1" internal radius.

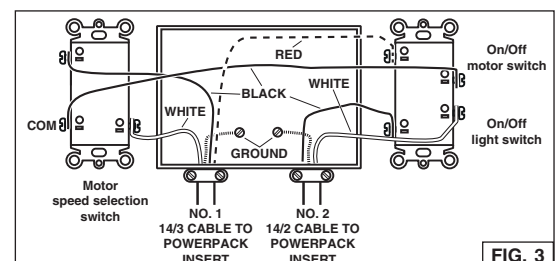
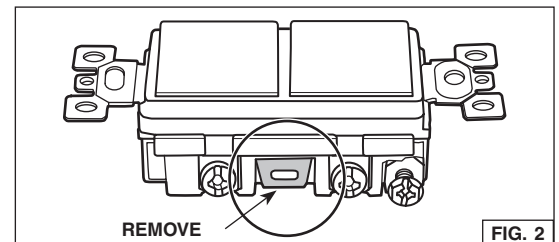


INSTALL THE WALL SWITCHES

CAUTION

Only use included switches. Only use wires suitable for at least 90°C (194°F).

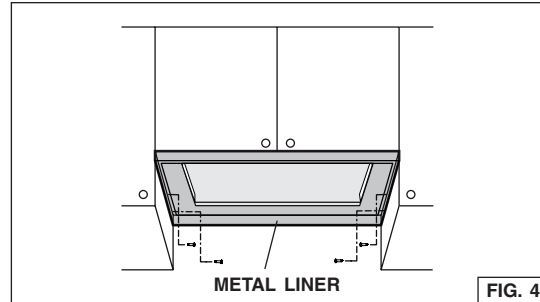
1. Unpack the wall switches from the box. Using pliers, remove the small tab on the double rocker switch (circled in FIG. 2).
2. Install both rocker switches at a convenient place for the user. Use one 14/3 cable and one 14/2 cable to wire the switch box to the powerpack insert (FIG. 3).



OPTIONAL LINERS

For installations where the PMA400SS unit is less than 30" above cooktop, this powerpack insert should be mounted into a metal liner (FIG. 4) to protect cabinetry combustible material from heat, in order to meet building code requirements. This will allow easier cleaning and provide protection to the cabinetry. Refer to table at right to find the liner model corresponding to the cabinet style and width.

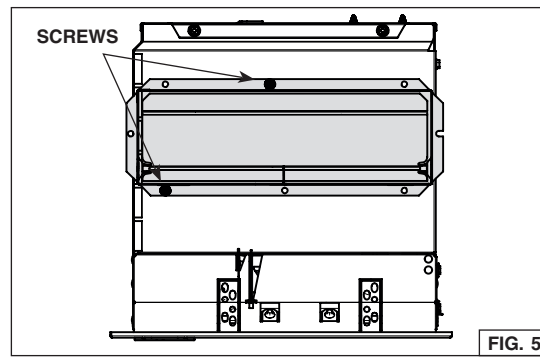
Visit www.broan-nutone.com or www.broan-nutone.ca to view specific model information.



LINER MODEL	CABINET NOMINAL WIDTH
LB30SS	30"
LB36SS	36"

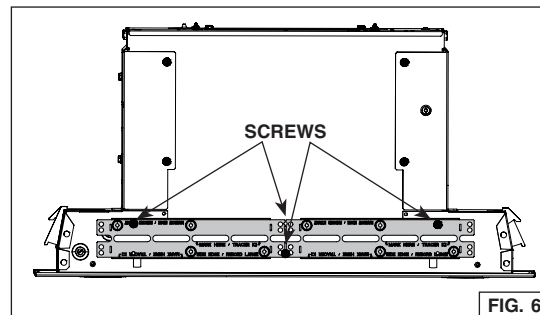
REMOVE THE ADAPTER/DAMPER

Detach and set aside the 3¼" x 10" adapter/damper (grey part in FIG. 5) from the side of the powerpack insert by removing its 2 retaining screws. Discard the screws.

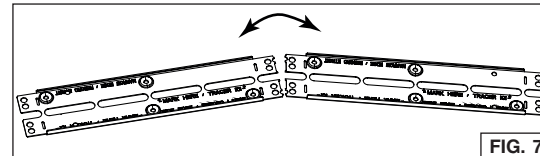


REMOVE THE CABINET BRACKETS

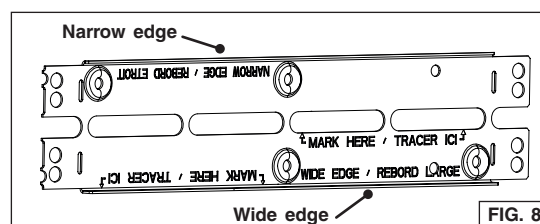
Detach the cabinet brackets (grey part in FIG. 6) from the back of the powerpack insert by removing its 4 retaining screws. Discard the screws.



Fold up and down the bracket until it is split in two separate parts (FIG. 7). Keep the brackets for possible further use.



NOTE: Both cabinet brackets have one wide edge and one narrow edge (FIG. 8), to cover all installation configurations depending on cabinet widths.



PREPARE THE CABINET

⚠ WARNING

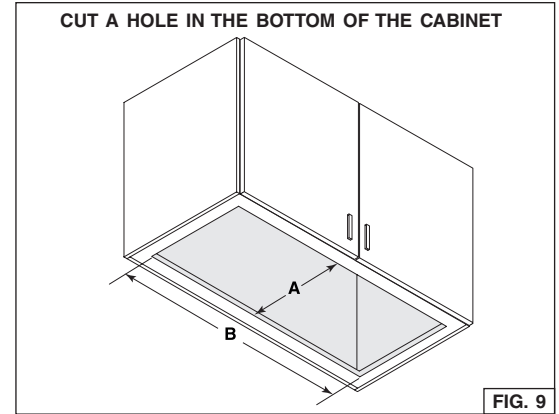
The cabinet must be secured to wall studs or other wooden framework behind the drywall to support the weight of this unit. Failure to do so may cause personal injury or damage to countertop or cooktop.

- NOTES: A. The unit has to be installed inside the cabinet. If installing with one of the optional liners, use it as a template to cut the hole in the bottom of the cabinet.
- B. The unit should be mounted centered laterally over the cooktop burners.
- C. For back to front position, the unit must be mounted according to local building codes.

1. Cut a hole in the bottom of the cabinet, using the dimensions shown (FIG. 9), or use the optional liner as a template.
2. Where needed, install the metal liner.
3. Measure the remaining material of the cabinet bottom sides (**C**) (FIG. 10), if it is 1/4" or more, there is no need to use the cabinet brackets. Go to step 8 on page 10.
4. When there is less than 1/4" remaining material (**C**), carefully remove those strips. Measure the cabinet inner width (**D**) (FIG. 10). Refer to the table below to see which cabinet bracket edge configuration must be used.

NARROW EDGE	WIDE EDGE
D	D
From 19-9/16" to < 20"	From 20" to 20-1/2"

5. Pay attention to the Ease of Install hooks location on the unit (distance given from unit front flange, FIG. 11). Measure and mark the position of the Ease of Install hooks (shown as **E** in FIG. 12 on next page) on both cabinet side walls.



A = 10 1/4"
B = 19 9/16"

FIG. 9

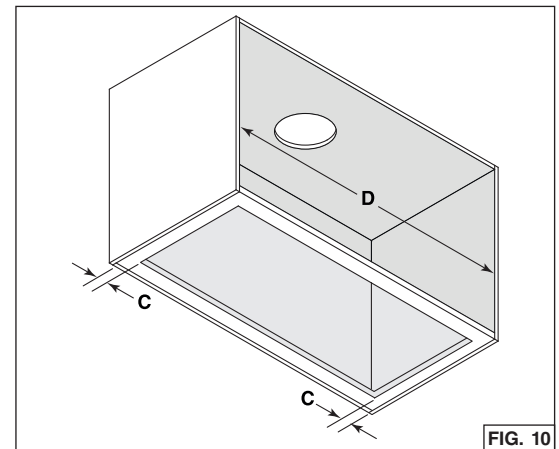


FIG. 10

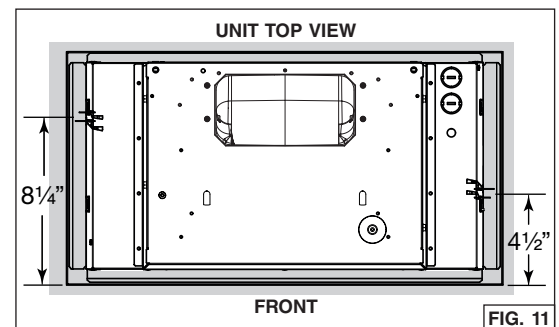


FIG. 11

PREPARE THE CABINET (CONT'D)

6. Install the cabinet brackets as follow (FIG. 12):

- 1 Align the bracket flush with the bottom of the right cabinet side panel, with the hooks marked position (E) between the bottom embossed holes. For the narrow edge configuration, trace a line on the top of the bracket. For wide edge configuration, trace a line at the bottom of the central slots.
- 2 Lift the bracket flush with the marked lined. Assemble the bracket to the cabinet side panel using 2 no. 8 x 5/8" wood screws (included in parts bag) through the upper holes.

NOTE: Do not use the embossed holes to attach the bracket to the cabinet.

- 3 Repeat steps 1 to 2 for the left cabinet side panel.

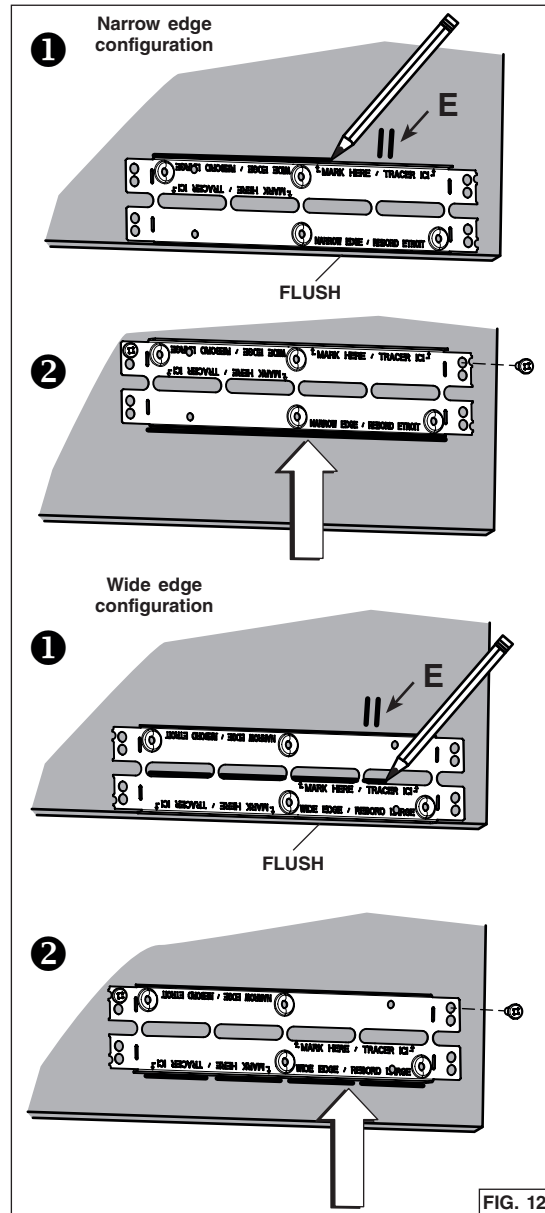


FIG. 12

PREPARE THE CABINET (CONT'D)

7. Measure the distance between both bottom bracket edges (F) (FIG. 13). The table below shows the appropriate distance needed.

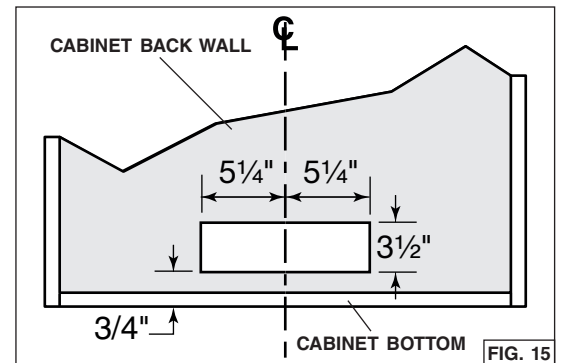
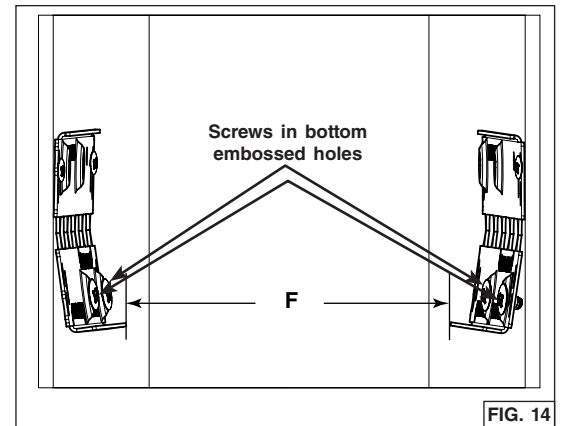
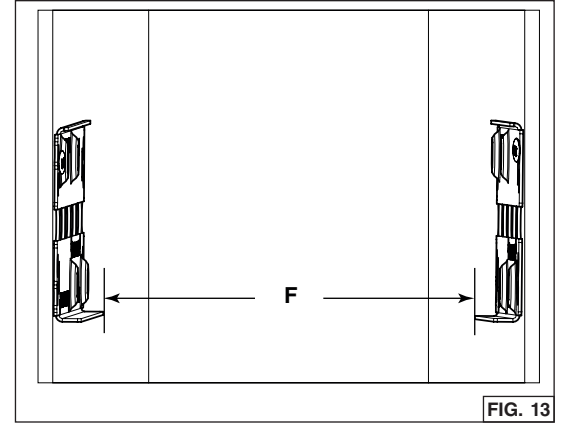
NARROW EDGE	WIDE EDGE
F	F
From 19-3/8" to < 19-9/16"	From 19-9/16" to 19-13/16"

If the measured distance needs to be shortened, screw two no. 8-32 x 1/4" machine screws, in each bottom embossed cabinet brackets hole; this will slightly bend the bottom part of the brackets (FIG. 14). Screw both brackets until the appropriate distance is obtained.

HORIZONTAL EXHAUST INSTALLATION ONLY

This powerpack insert is factory shipped to exhaust vertically; however, it is possible to make it exhaust horizontally (3/4" x 10" ducting only).

8. Cut the hole for the horizontal exhaust through the back wall of the cabinet using the dimensions shown. (FIG. 15).



PREPARE THE UNIT

ALL INSTALLATIONS

1. If present, remove all protective polyfilm from the unit and/or parts.
2. Remove the grease filter by pushing down on latch tab and tilting the filter downward (FIG. 16). Set aside the filter.

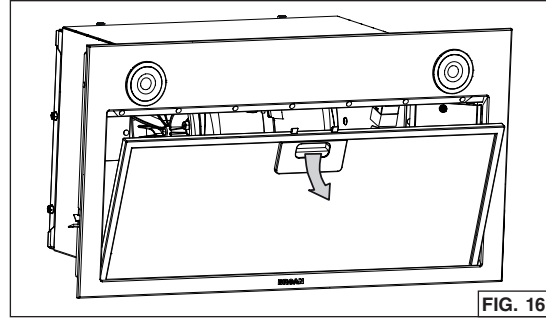


FIG. 16

3. Disassemble the electrical compartment cover (grey part in FIG. 17) from inside the unit by removing its retaining screw. Remove the parts bag behind the cover. Set aside the parts bag and the cover along with its screw.

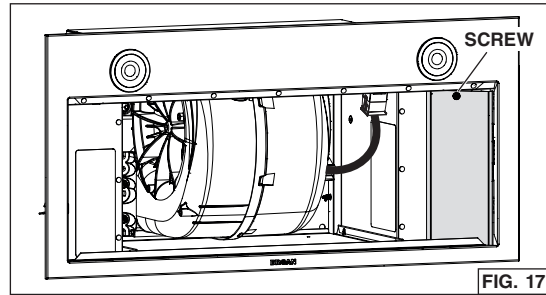


FIG. 17

4. Punch out **both** knock-out holes. Install an appropriate 7/8" diameter strain relief (not included, grey parts in FIG. 18) in each hole.

NOTE: The HCK44 cord connection kit (optional) can be used instead of the house power cable. Refer to the instruction packed with the HCK44 cord connection kit.

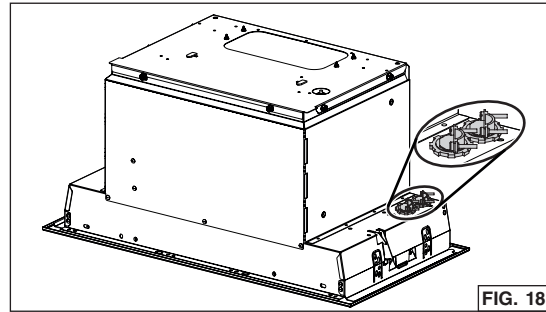


FIG. 18

HORIZONTAL EXHAUST INSTALLATION ONLY

5. Unplug the blower cable from its connector on faceplate. Disassemble the faceplate from the unit by removing its 4 retaining screws (two per side, circled in FIG. 19). Set aside the faceplate along with its screws.

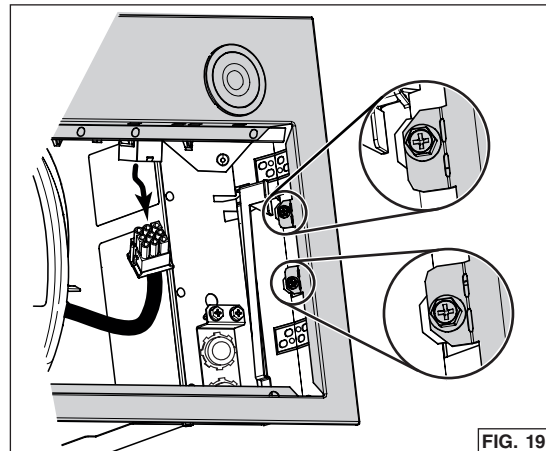


FIG. 19

6. Remove the 6 screws (2 per side and 2 in front) retaining the blower support plate to the top of the unit (FIG. 20). Carefully lift out and set aside the blower with its support plate. The blower will be reinstalled later in the unit.

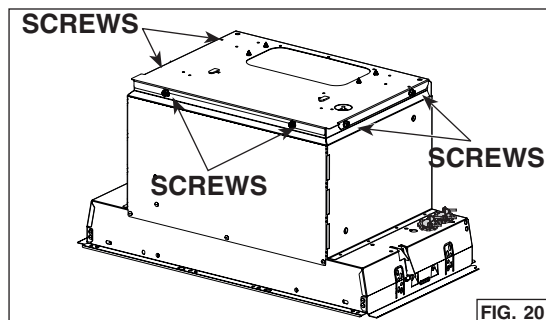
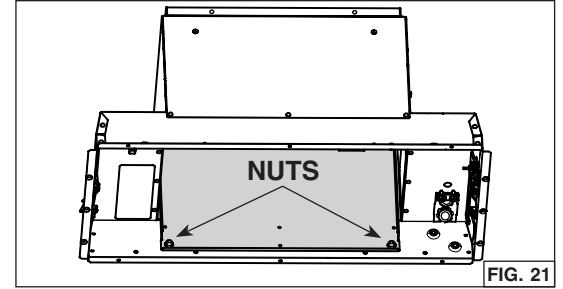


FIG. 20

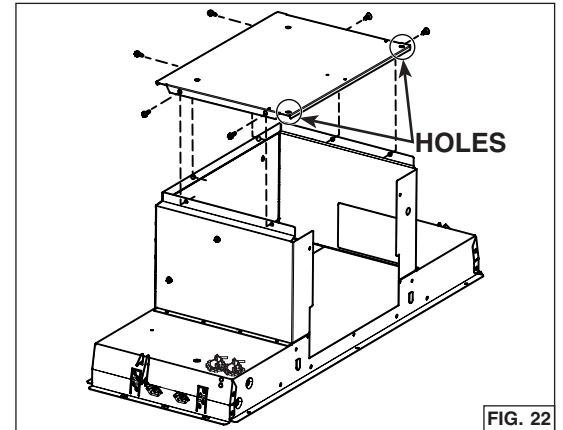
PREPARE THE UNIT (CONT'D)

HORIZONTAL EXHAUST INSTALLATION ONLY (CONT'D)

7. From inside the unit, detach the back plate (grey part in FIG. 21) by removing its both retaining nuts using 3/8" diameter socket. Set aside the nuts and plate.



8. Install the back plate on top of the unit, where the blower support plate was. Orient the holes nearby the corners towards the back of the unit. Assemble to the top of the unit using 6 screws previously removed in step 6 (FIG. 22).



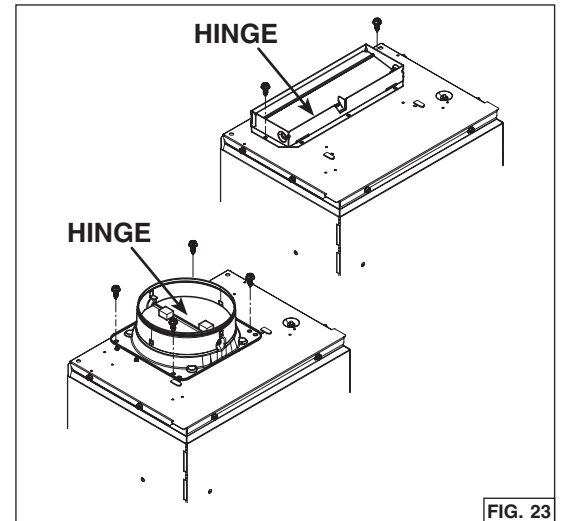
VERTICAL EXHAUST INSTALLATION ONLY

9. For rectangular ducting, use 2 included no. 8-18 x 1/4" metal screws to attach the included 3 1/4" x 10" adapter damper on top of the unit, over the blower exhaust opening (FIG. 23).

NOTE: The damper hinge must be towards the front of the unit.

For round ducting, use 4 included no. 8-18 x 1/4" metal screws to attach the included 6-in. round adapter damper on top of the unit, over the blower exhaust opening (FIG. 23).

NOTE: The damper hinge must be parallel to the sides of the unit.



INSTALL THE UNIT

1. Run house power cable between service panel and unit location. Stub out a 2-foot length of power cable inside the cabinet. Insert the power cable in the unit through one of the 7/8" diameter strain relief previously installed.

NOTE: Not necessary if the optional HCK44 cord connection kit is used.

2. Stub out a 2-foot length of both 14/2 cable and 14/3 cable coming from switches. Insert the 14/2 cable and the 14/3 cable in the unit through the other 7/8" diameter strain relief previously installed.

3. Insert the unit in the cabinet, until you feel a 'click' from both sides of the unit, confirming that the Ease of Install Hooks rest on the top of the cabinet bottom sides **1**, or cabinet brackets **2** or **3** (FIG. 24). Move the unit from left to right, from rear to front and up to ensure the Ease of Install Hooks are retaining the unit inside the cabinet.

NOTE: The unit will be protruding below the cabinetry until tightened.

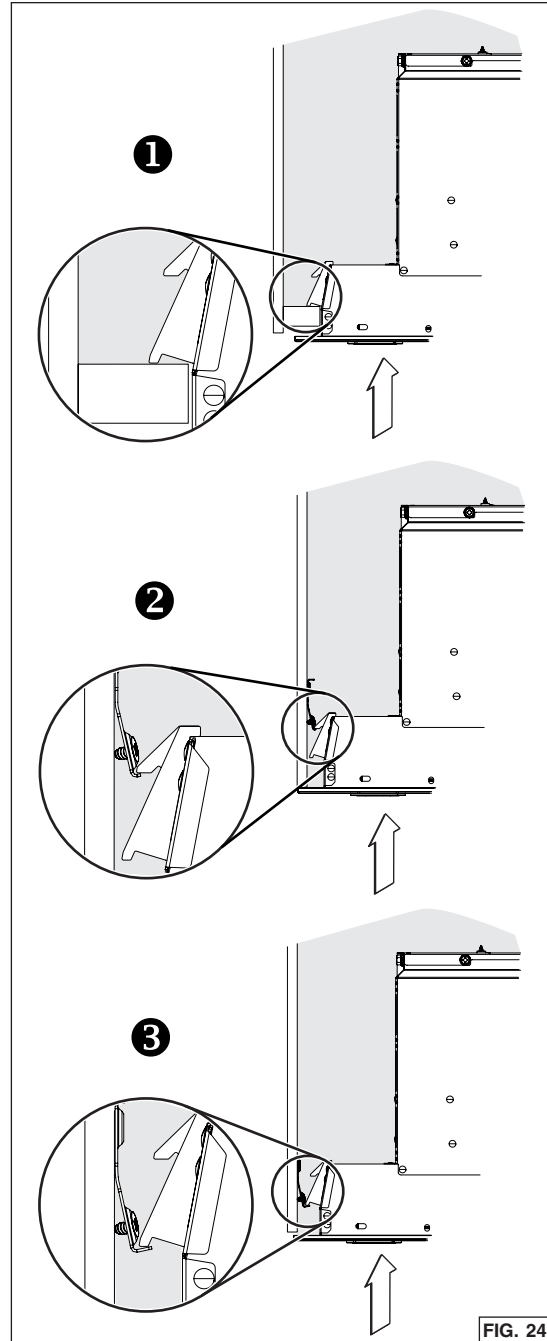


FIG. 24

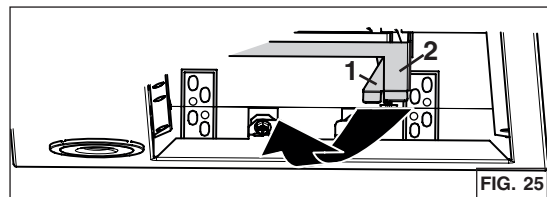


FIG. 25

NOTE: If, for any reason, the unit has to be removed from the cabinet, it is possible to disengage the Ease of Install Hooks. To do so, while holding and pushing on one side of the unit, lift simultaneously Ease of Install Hooks levers (**1** and **2**, grey parts in FIG. 25) in the other side of the unit until the hooks are retracted.

INSTALL THE UNIT (CONT'D)

- Lift the unit until contact is made between the unit flange and cabinet. Secure the unit to the cabinet using 4 no. 8 x 5/8" wood screws included in parts bag (2 screws per side). Use upper or lower holes (1, 2, 3, 4, 5 or 6) (FIG. 26).

⚠ WARNING
 The Ease of Install Hooks TEMPORARILY hold the unit in place. The unit **MUST BE** secured to the cabinet using the included 4 screws.

⚠ WARNING
 Never use this unit as a shelf.

HORIZONTAL EXHAUST INSTALLATION ONLY

- From inside the unit, slide the 3¼" x 10" adapter/damper in the horizontal duct, then attach it to the unit using aluminum duct tape all around the joint (FIG. 27). Ensure the damper opens as shown in damper side view.

- Insert the blower with its support plate inside the unit, where the back plate was initially (A). Attach to the unit using 2 nuts previously removed in step 7 on page 12 (B) (FIG. 28).

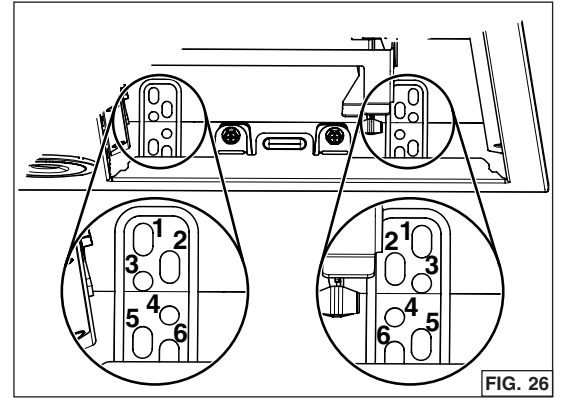


FIG. 26

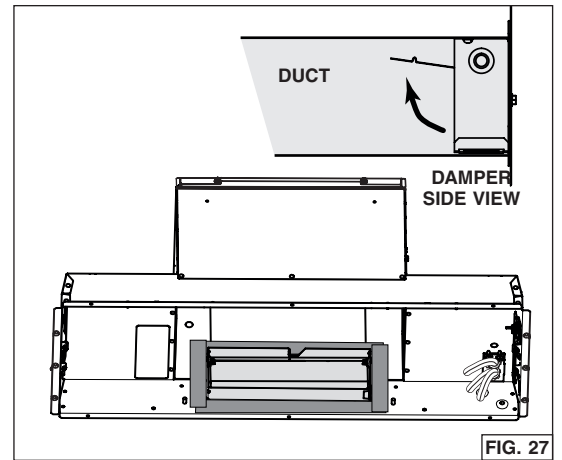


FIG. 27

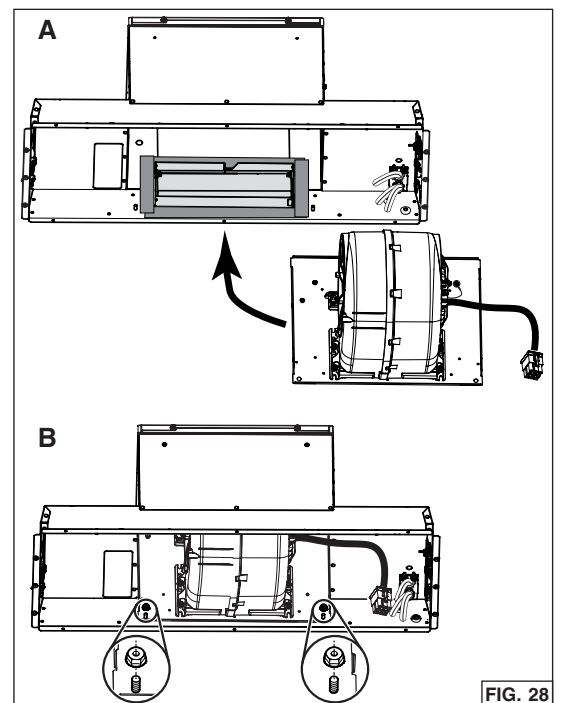
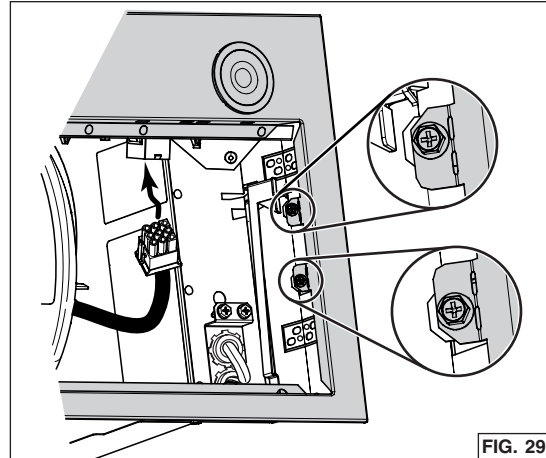


FIG. 28

INSTALL THE UNIT (CONT'D)

HORIZONTAL EXHAUST INSTALLATION ONLY (CONT'D)

7. Reinstall and secure the faceplate to the unit using its 4 retaining screws (two per side). Plug the blower cable to its connector on faceplate (FIG. 29).



CONNECT DUCTWORK

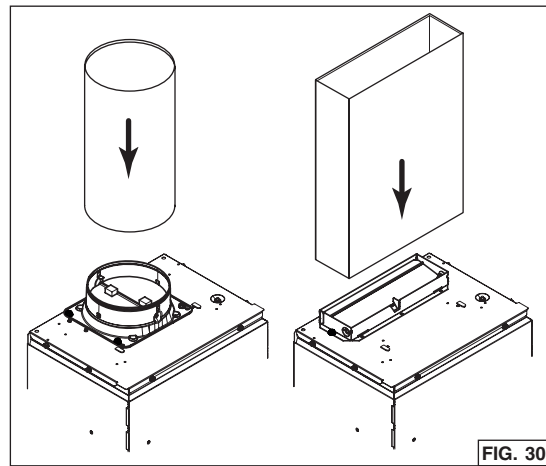
VERTICAL EXHAUST INSTALLATION ONLY

Ducted Installation

Use 6-in. round or 3¼" x 10" metal duct to connect the adapter damper on the top of the unit to the ductwork above (FIG. 30). Seal the joint using aluminum duct tape.

Non-Ducted Installation

A non-duct kit is required for this type of installation (purchase separately, model number: HARKPM21). To install, follow the instructions packed with the kit.



WIRING

⚠ WARNING

Risk of electric shock. Electrical wiring must be done by qualified personnel in accordance with all applicable codes and standards. Before connecting wires, switch power off at service panel and lock service disconnecting means to prevent power from being switched on accidentally.

NOTES: 1. Use appropriate wire nuts (not included) for wire connections.

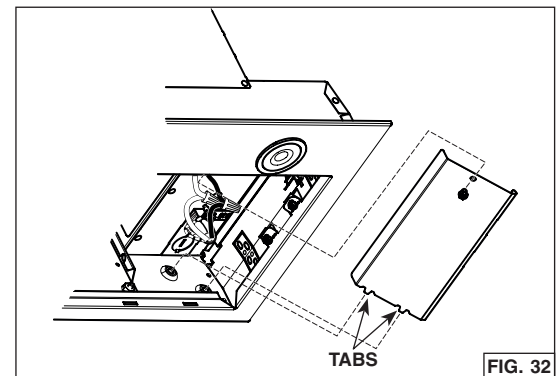
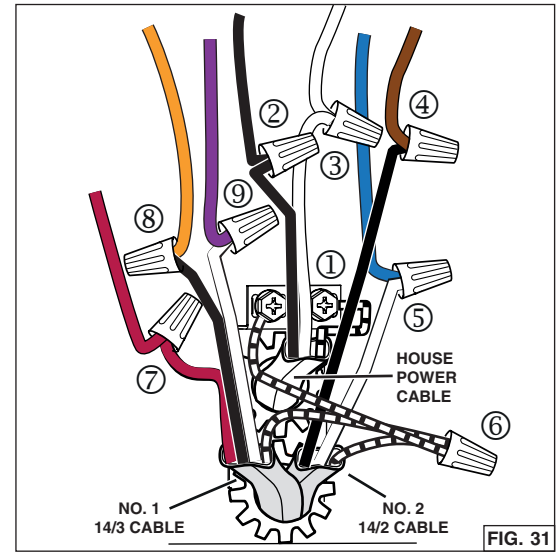
2. Refer to FIG. 31 for wire connections.

1. Connect GREEN or bare wire from house power cable to one of the unit GREEN ground screw (①).
2. Connect **house power cable** to unit wiring: BLACK to BLACK (②) and WHITE to WHITE (③).
3. Connect **No. 2 14/2 cable** to unit wiring: BLACK to BROWN (④) and WHITE to BLUE (⑤).
4. Using a short ground wire (not provided), connect GREEN or bare wires from no. 1 and no. 2 cables to the other unit GREEN ground screw (⑥).
5. Connect **No. 1 14/3 cable** to unit wiring: RED to RED (⑦), BLACK to ORANGE (⑧) and WHITE to PURPLE (⑨).
6. Reinstall the electrical cover in the unit; ensuring the bottom tabs are inserted in their embossed location. Secure in place using its retaining screw (FIG. 32).

NOTE: Not all wires shown.

CAUTION

Take care not to pinch wires while reinstalling wiring cover.



INSTALL THE FILTER

Ducted Installation

Reinstall the grease filter.

Non-Ducted Installation

Attach the non-ducted filter (included with the HARKPM21 non-duct kit) to the back of the grease filter using clips (provided with non-ducted filter). To order a new non-ducted filter, use service part number S99010464.

OPERATION

A: Blower Speed Selection Switch:

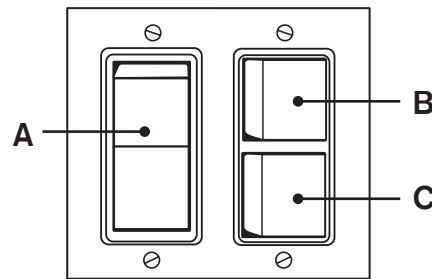
This 3-way rocker switch controls the blower speed.
Upper position: High speed.
Lower position: Low speed.

B: ON/OFF Blower Switch:

This rocker switch turns the blower ON and OFF.
Left position: OFF.
Right position: ON.

C: ON/OFF Light Switch:

This rocker switch turns the LED lights ON and OFF.
Left position: OFF.
Right position: ON.

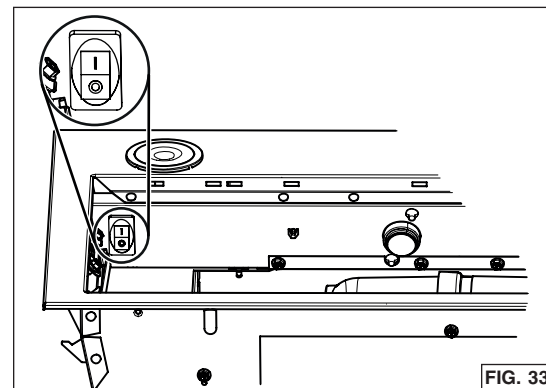


HEAT SENTRY™

Your unit is equipped with a HEAT SENTRY™ thermostat. This thermostat is a device that will turn on or speed up the blower if it senses excessive heat above the cooking surface.

- 1) If blower is OFF - it turns blower ON to HIGH speed.
- 2) If blower is ON at a lower speed setting - it turns blower up to HIGH speed.

When the temperature level drops to normal, the blower will return to its original setting.



⚠ WARNING

The HEAT SENTRY thermostat can start the blower even if the hood is turned OFF. When this occurs, it is impossible to turn the blower OFF with its switch. If you must stop the blower, set the main power switch (located behind the filters, on inner side of the unit faceplate) in OFF position (if it is possible to do so safely). See inset in FIG. 33.

MAINTENANCE

ALWAYS SWITCH OFF THE ELECTRICITY SUPPLY BEFORE CARRYING OUT ANY OPERATIONS ON THE APPLIANCE.

Grease Filter

The grease filter should be cleaned frequently. Use a warm dishwashing detergent solution. Grease filter is dishwasher safe.

Clean the filter in the dishwasher using a non-phosphate detergent. Discoloration of the filter may occur if using phosphate detergents, or as a result of local water conditions - but this will not affect filter performance. This discoloration is not covered by the warranty. To minimize or prevent discoloration, hand wash filter using a mild detergent.

Non-Ducted Recirculation Filter

The Non-Ducted Recirculation filter should be changed every 3 to 6 months. Replace more often if your cooking style generates extra grease, such as frying and wok cooking.

STAINLESS STEEL CLEANING

Do:

- Regularly wash with clean cloth or rag soaked with warm water and mild soap or liquid dish detergent.
- Always clean in the direction of original polish lines.
- Always rinse well with clear water (2 or 3 times) after cleaning. Wipe dry completely.
- You may also use a specialized household stainless steel cleaner.

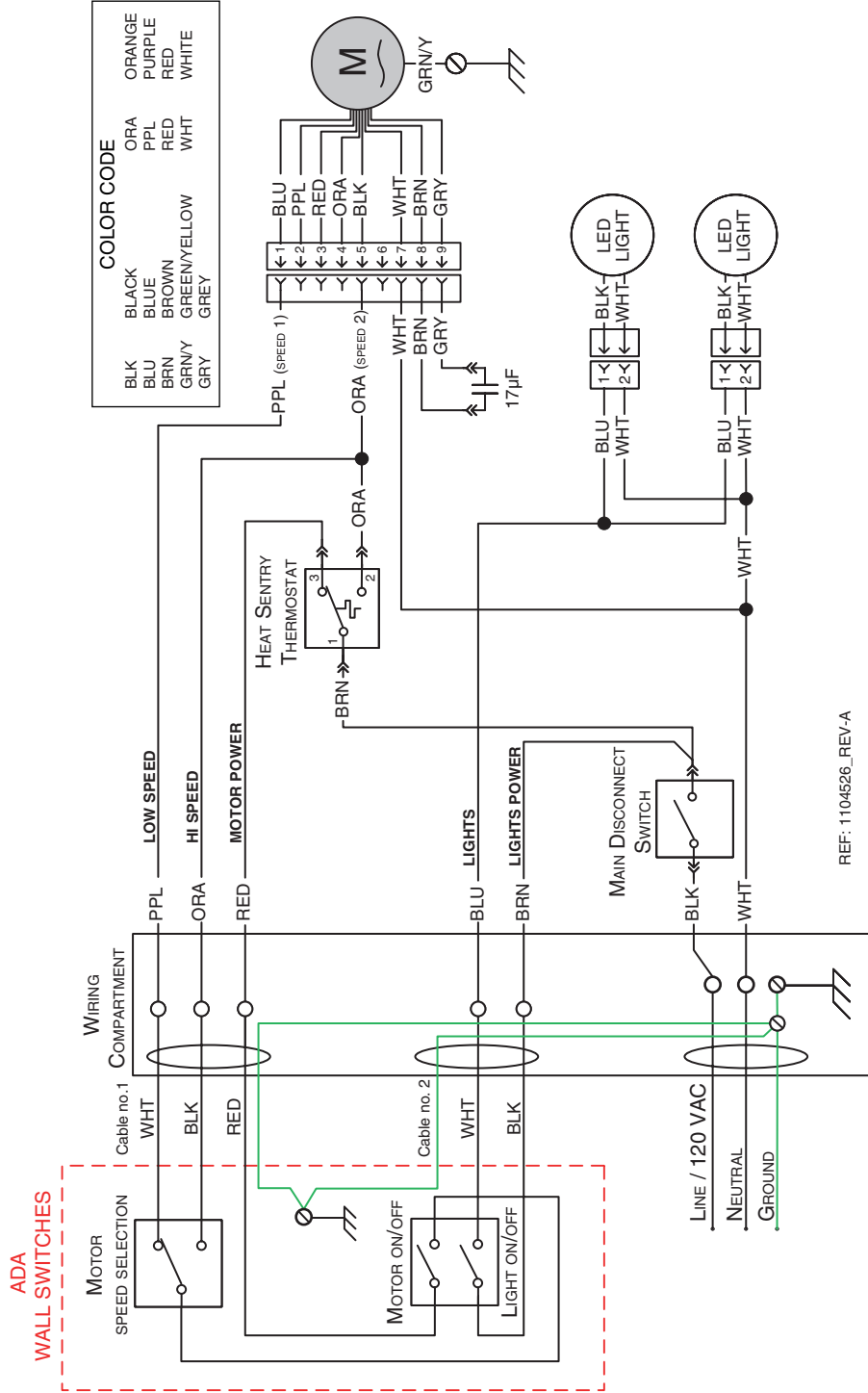
Don't:

- Use any steel or stainless steel wool or any other scrapers to remove stubborn dirt.
- Use any harsh or abrasive cleansers.
- Allow dirt to accumulate.
- Let plaster dust or any other construction residues reach the unit. During construction/renovation, cover the unit to make sure no dust sticks to the stainless steel surface.

Avoid when choosing a detergent:

- Any cleaners that contain **bleach** will attack stainless steel.
- Any products containing: **chloride, fluoride, iodide, bromide** will deteriorate surfaces rapidly.
- Any combustible products used for cleaning such as **acetone, alcohol, ether, benzol**, etc., are highly explosive and should never be used close to a range.

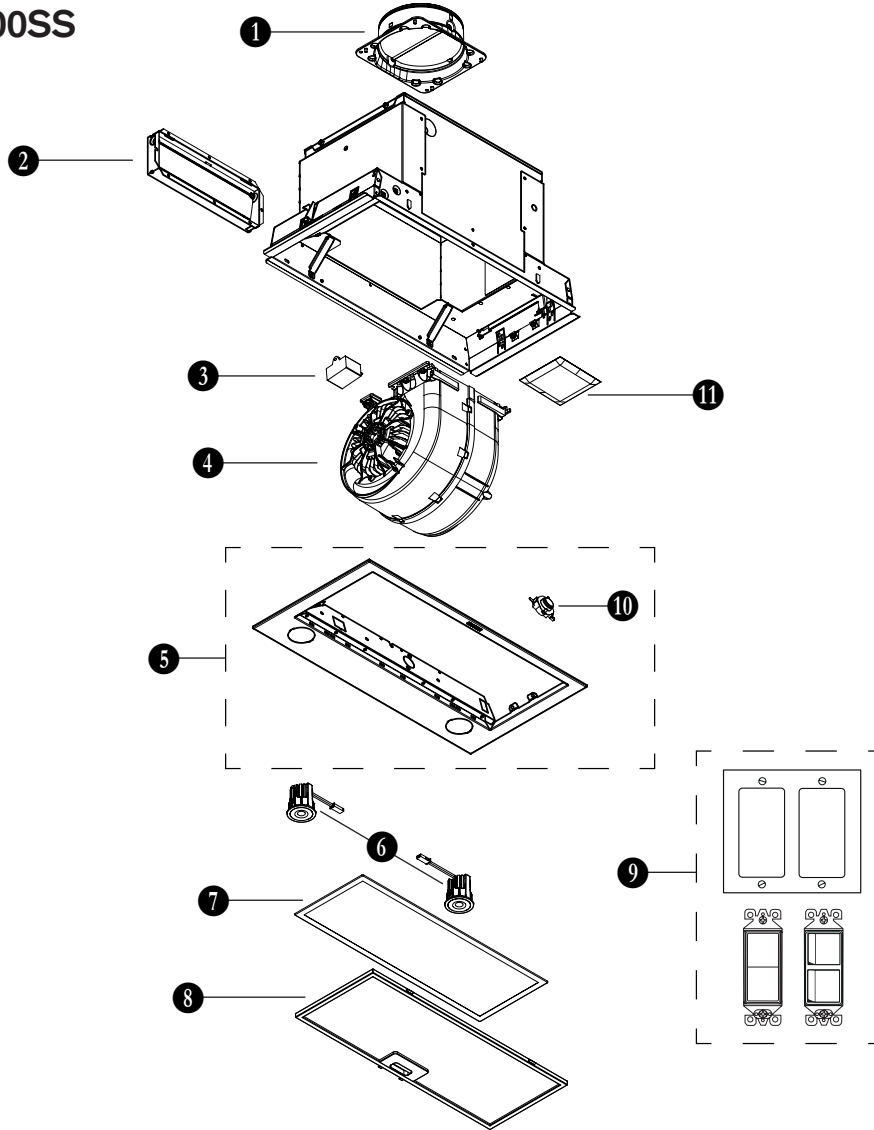
PMA400SS



INSTALLATION AND USE & CARE INSTRUCTIONS

WIRING DIAGRAM

PMA400SS



KEY NO.	PART NUMBER	DESCRIPTION	Qty.
1	SV08487	6-IN. ROUND ADAPTER / DAMPER	1
2	SR740014	3 1/4" x 10" ADAPTER / DAMPER	1
3	S99271702	CAPACITOR 17 μ F	1
4	S97021510	BLOWER ASS'Y 400 CFM	1
5	S98012198-807	FACEPLATE (INCLUDING ITEM 10)	1
6	S99271693	LED MODULE ASSEMBLY (PAIR)	1
7	S99010464	CHARCOAL FILTER WITH CLIPS (NOT SHOWN) (NON-DUCTED INSTALLATION ONLY, INCLUDED IN NON-DUCT KIT NO. HARKPM21)	1
8	S99010400	MICROMESH GREASE FILTER	1
9	HAWSK3	ADA KIT	1
10	S99030381	HEAT SENTRY THERMOSTAT	1
11	S1104978	PARTS BAG INCLUDING: 4 No. 8-18 x 1/4" METAL SCREWS, 4 No. 8-32 x 1/4" METAL SCREWS, 8 No. 8 x 5/8" ROUND HEAD WOOD SCREWS.	1

Limited Warranty

Warranty Period and Exclusions: Broan-NuTone LLC and Venmar Ventilation ULC (either being the "Company") warrants to the original consumer purchaser of its product ("you") that the product (the "Product") will be free from material defects in the Product or its workmanship for a period of one (1) year from the date of original purchase (or such longer period as may be required by applicable law). For Range Hood Product that includes built-in LED modules, the Company warrants the LED modules and driver to be free from material defects for a period of three (3) years from the date of purchase. The limited warranty period for any replacement parts provided by the Company and for any Products repaired or replaced under this limited warranty shall be the remainder of the original warranty period (or such longer period as may be required by applicable law).

This warranty does not cover fluorescent lamp starters, tubes, halogen, incandescent and LED bulbs, fuses, filters, ducts, roof caps, wall caps and other accessories for ducting that may be purchased separately and installed with the Product. This warranty also does not cover (a) normal maintenance and service, (b) normal wear and tear, (c) any Products or parts which have been subject to misuse, abuse, abnormal usage, negligence, accident, improper or insufficient maintenance, storage or repair (other than repair by the Company), (d) damage caused by faulty installation, or installation or use contrary to recommendations or instructions, (e) any Product that has been moved from its original point of installation, (f) damage caused by environmental or natural elements, (g) damage in transit, (h) natural wear of finish, (i) Products in commercial or nonresidential use, or (j) damage caused by fire, flood or other act of God or (k) Products with altered, defaced or removed serial numbers. This warranty covers only Products sold to original consumers in the United States and Canada by the Company or its U.S. and Canadian distributors authorized by the Company.

This warranty supersedes all prior warranties and, subject to applicable law, is not transferable from the original consumer purchaser.

No Other Warranties: This Limited Warranty contains the Company's sole obligation and your sole remedy for defective products. The foregoing warranties are exclusive and in lieu of any other warranties and conditions, express or implied. **THE COMPANY DISCLAIMS AND EXCLUDES ALL OTHER EXPRESS WARRANTIES AND CONDITIONS, AND DISCLAIMS AND EXCLUDES ALL WARRANTIES AND CONDITIONS IMPLIED BY LAW, INCLUDING WITHOUT LIMITATION THOSE OF MERCHANTABILITY AND FITNESS FOR A PARTICULAR PURPOSE.** To the extent that applicable law prohibits the exclusion of implied warranties or conditions, the duration of any applicable implied warranty or condition is limited to the period specified for the express warranty above. Some jurisdictions do not allow limitations on how long an implied warranty lasts, so the above limitation may not apply to you. Any oral or written description of the Product is for the sole purpose of identifying it and shall not be construed as an express warranty.

Whenever possible, each provision of this Limited Warranty shall be interpreted in such manner as to be effective and valid under applicable law, but if any provision is held to be prohibited or invalid, such provision shall be ineffective only to the extent of such prohibition or invalidity, without invalidating the remainder of such provision or the other remaining provisions of the Limited Warranty.

Remedy: During the applicable limited warranty period, the Company will, at its option, provide replacement parts for, or repair or replace, without charge, any Product or part thereof, to the extent the Company finds it to be covered by and in breach of this limited warranty under normal use and service. The Company will ship the repaired or replaced Product or replacement parts to you at no charge. You are responsible for all costs for removal, reinstallation and shipping, insurance or other freight charges incurred in the shipment of the Product or part to the Company. If you must send the Product or part to the Company, as instructed by the Company, you must properly pack the Product or part—the Company is not responsible for damage in transit. The Company reserves the right to utilize reconditioned, refurbished, repaired or remanufactured Products or parts in the warranty repair or replacement process. Such Products and parts will be comparable in function and performance to an original Product or part and warranted for the remainder of the original warranty period (or such longer period as may be required by applicable law).

Company reserves the right, in its sole discretion, to refund the money actually paid by you for the Product in lieu of repair or replacement. If the Product or component is no longer available, replacement may be made with a similar product of equal or greater value, at Company's sole discretion. This is your sole and exclusive remedy for breach of this limited warranty.

Exclusion of Damages: **THE COMPANY'S OBLIGATION TO PROVIDE REPLACEMENT PARTS, OR REPAIR, REPLACE OR REFUND, AT THE COMPANY'S OPTION, SHALL BE YOUR SOLE AND EXCLUSIVE REMEDY UNDER THIS LIMITED WARRANTY AND THE COMPANY'S SOLE AND EXCLUSIVE OBLIGATION. THE COMPANY SHALL NOT BE LIABLE FOR INCIDENTAL, INDIRECT, CONSEQUENTIAL OR SPECIAL DAMAGES ARISING OUT OF OR IN CONNECTION WITH THE PRODUCT, ITS USE OR PERFORMANCE.** Incidental damages include but are not limited to such damages as loss of time and loss of use. Consequential damages include but are not limited to the cost of repairing or replacing other property which was damaged if the Product does not work properly.

THE COMPANY SHALL NOT BE LIABLE TO YOU, OR TO ANYONE CLAIMING UNDER YOU, FOR ANY OTHER OBLIGATIONS OR LIABILITIES, INCLUDING, BUT NOT LIMITED TO, OBLIGATIONS OR LIABILITIES ARISING OUT OF BREACH OF CONTRACT OR WARRANTY, NEGLIGENCE OR OTHER TORT OR ANY THEORY OF STRICT LIABILITY, WITH RESPECT TO THE PRODUCT OR THE COMPANY'S ACTS OR OMISSIONS OR OTHERWISE.

Some jurisdictions do not allow the exclusion or limitation of incidental or consequential damages, so the above limitation or exclusion may not apply to you. This warranty gives you specific legal rights, and you may also have other rights, which vary from jurisdiction to jurisdiction. The disclaimers, exclusions, and limitations of liability under this warranty will not apply to the extent prohibited by applicable law.

This warranty covers only replacement or repair of defective Products or parts thereof at the Company's main facility and does not include the cost of field service travel and living expenses.

Any assistance the Company provides to or procures for you outside the terms, limitations or exclusions of this limited warranty will not constitute a waiver of such terms, limitations or exclusions, nor will such assistance extend or revive the warranty.

The Company will not reimburse you for any expenses incurred by you in repairing or replacing any defective Product, except for those incurred with the Company's prior written permission.

How to Obtain Warranty Service: To qualify for warranty service, you must (a) notify the Company at the address or telephone number stated below within seven (7) days of discovering the covered defect, (b) give the model number and part identification and (c) describe the nature of any defect in the Product or part. At the time of requesting warranty service, you must present evidence of the original purchase date. If you cannot provide a copy of the original written limited warranty, then the terms of the Company's most current written limited warranty for your particular product will control. The most current limited written warranties for the Company's products can be found at www.broan-nutone.com and www.broan-nutone.ca.

Broan-NuTone LLC 926 West State Street, Hartford, Wisconsin, USA 53027 Broan-NuTone.com 800-558-1711

Venmar Ventilation ULC, 550 Lemire Blvd., Drummondville, Québec, Canada J2C 7W9 Broan-NuTone.ca 800-567-3855

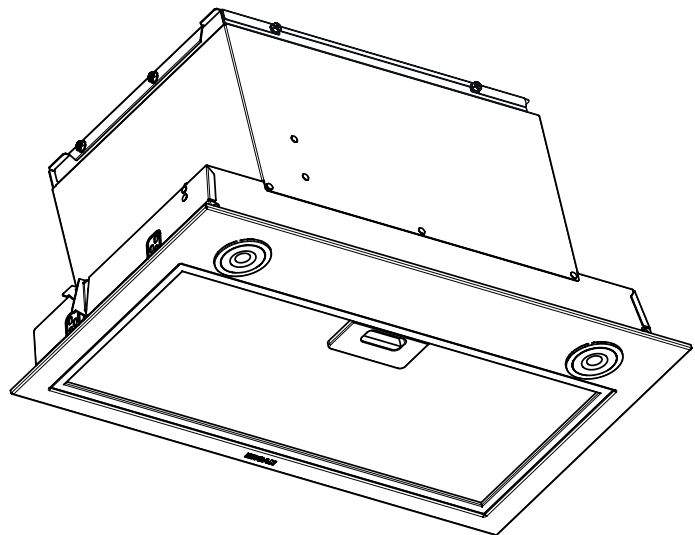


BROAN

Hotte encastrée

Numéro de modèle : PMA400SS

DIRECTIVES D'INSTALLATION,
D'UTILISATION ET D'ENTRETIEN



N° de série :

Sécurité	3-4
Installation	5-16
Outils et accessoires recommandés	5
Contenu	5
Installation des conduits (Installations avec conduits seulement)	6
Installation des commandes murales	6
Revêtements d'armoire optionnels	7
Retrait de l'adaptateur/volet	7
Retrait des supports d'armoire	7
Préparation de l'armoire	8-10
Préparation de l'appareil	11-12
Installation de l'appareil	13-15
Raccordement du conduit	15
Branchement électrique	16
Installation du filtre	16
Fonctionnement	17
Nettoyage et entretien	18
Filtre à graisses	
Filtre de recirculation	
Nettoyage de l'acier inoxydable	
Schéma électrique	19
Pièces de remplacement	20
Garantie	21

Pour enregistrer votre produit, veuillez visiter notre site Internet:
Aux États-Unis: broan-nutone.com
Au Canada: broan-nutone.ca

Pour de l'assistance technique, veuillez composer le numéro de téléphone suivant:
Aux États-Unis: 800-637-1453
Au Canada: 800-567-3855

**Installateur: Laisser ce manuel au propriétaire.
Veuillez lire et conserver ces directives.**

⚠ Conçu pour usage domestique seulement ⚠

⚠ AVERTISSEMENT



AFIN DE RÉDUIRE LES RISQUES D'INCENDIE, D'ÉLECTROCUTION OU DE BLESSURES CORPORELLES, SUIVEZ LES DIRECTIVES SUIVANTES:



- N'utilisez cet appareil que de la façon prévue par le fabricant. Si vous avez des questions, contactez le fabricant à l'adresse ou au numéro de téléphone indiqués dans la garantie.
- Avant de réparer ou de nettoyer l'appareil, couper l'alimentation électrique en verrouillant le panneau de distribution afin d'éviter sa remise en marche accidentelle. Si le panneau de distribution ne peut être verrouillé, y fixer un avertissement en évidence, telle qu'une étiquette de couleur vive.
- Les travaux d'installation et de raccordement électrique doivent être effectués par une personne qualifiée, conformément aux codes et aux standards de construction, incluant ceux concernant la protection contre les incendies.
- Une quantité d'air adéquate est requise afin d'assurer une bonne combustion et l'évacuation des gaz par la cheminée dans le cas des équipements alimentés au gaz afin de prévenir les retours de cheminée. Conformez-vous aux instructions et aux standards de sécurité des fabricants d'équipement de chauffage, tel qu'ils sont publiés par la National Fire Protection Association (NFPA) et l'American Society for Heating, Refrigeration and Air Conditioning Engineers (ASHRAE) ainsi que les responsables des codes locaux.
- Veillez à ne pas endommager le câblage électrique ou d'autres équipements non apparents lors de la découpe ou du perçage du mur ou du plafond.
- Les ventilateurs avec conduits doivent toujours évacuer l'air à l'extérieur.
- Ne pas utiliser cet appareil avec une commande de vitesse à semi-conducteur additionnelle.
- Afin de réduire les risques d'incendie, n'utilisez que des conduits de métal.
- Cet appareil doit être mis à la terre.
- Il est recommandé de porter des lunettes et des gants de sécurité lors de l'installation, de l'entretien ou de la réparation de cet appareil.
- Lorsqu'une réglementation est en vigueur et qu'elle comporte des exigences d'installation et/ou de certification plus restrictives, lesdites exigences prévalent sur celles de ce document et l'installateur entend s'y conformer à ses frais.

⚠ AVERTISSEMENT



AFIN DE RÉDUIRE LES RISQUES DE FEU DE CUISINIÈRE :

- A. Ne jamais laisser les appareils de cuisson sans surveillance lorsqu'ils sont réglés à feu vif. Les débordements engendrent de la fumée et des déversements graisseux pouvant s'enflammer. Chauffez l'huile lentement, à feu doux ou moyen.
- B. Mettez toujours la hotte en marche lorsque vous cuisinez à feu vif ou que vous cuisinez des mets flambés (par ex. : crêpes Suzette, cerises jubilé, steaks au poivre flambés).
- C. Nettoyez régulièrement la roue du ventilateur. Ne laissez pas la graisse s'accumuler sur le ventilateur, le filtre ou les conduits d'évacuation.
- D. Utilisez le bon format de casserole. Servez-vous toujours de casseroles et d'ustensiles appropriés à la dimension de la surface chauffante.

AFIN DE RÉDUIRE TOUT RISQUE DE BLESSURES LORS D'UN FEU DE CUISINIÈRE, SUIVEZ CES DIRECTIVES* :

1. ÉTOUFFEZ LES FLAMMES avec un couvercle hermétique, une tôle à biscuits ou un plateau métallique et ensuite, éteignez le brûleur. PRENEZ SOIN D'ÉVITER LES BRÛLURES. SI LES FLAMMES NE S'ÉTEIGNENT PAS IMMÉDIATEMENT, ÉVACUEZ LES LIEUX ET APPELEZ LES POMPIERS.
2. NE PRENEZ JAMAIS UNE CASSEROLE EN FLAMMES DANS VOS MAINS. Vous pourriez vous brûler.
3. N'UTILISEZ PAS D'EAU, incluant un linge à vaisselle ou une serviette mouillée, cela pourrait occasionner une violente explosion de vapeur.
4. N'utilisez un extincteur QUE DANS LE CAS OÙ :
 - A. Vous possédez un extincteur de classe ABC et vous en connaissez le fonctionnement.
 - B. Le feu est petit et limité à l'endroit où il a débuté.
 - C. Les pompiers ont été avisés.
 - D. Vous pouvez combattre l'incendie en ayant accès à une sortie de secours.

* Tirées du *Kitchen Fire Safety Tips* publié par la NFPA.

⚠ ATTENTION



- Pour une utilisation résidentielle et à l'intérieur seulement.
- Afin de réduire les risques d'incendie et évacuer l'air adéquatement, assurez-vous que les conduits évacuent l'air à l'extérieur. Ne pas évacuer l'air dans des espaces restreints comme l'intérieur des murs ou plafond ou dans le grenier, faux plafond ou garage.
- Soyez prudents lors de l'utilisation d'agents nettoyants ou de détergents.
- Évitez d'utiliser sous la hotte des produits alimentaires pouvant s'enflammer.
- Pour usage domestique seulement. Ne pas utiliser pour évacuer des vapeurs ou des matières dangereuses ou explosives.
- Afin d'éviter tout dommage au moteur et de débalancer ou de rendre bruyante la roue du moteur, garder votre appareil à l'abri des poussières de gypse et de construction/rénovation, etc.
- Le moteur de votre hotte possède une protection thermique qui éteindra automatiquement le moteur s'il devient surchauffé. Le moteur redémarrera automatiquement une fois refroidi. Si le moteur continue à arrêter et à redémarrer, faites-le vérifier.
- Pour une meilleure évacuation des odeurs de cuisson, le bas de votre hotte devrait être situé À UN MINIMUM de 24 po et à un maximum recommandé de 30 po au-dessus de la surface de cuisson.
- À utiliser seulement avec une trousse de raccordement de cordon de hotte vérifiée et approuvée pour emploi avec ce modèle de hotte.
- Veuillez consulter l'autocollant apposé à l'intérieur de la hotte pour plus d'information ou autres exigences.

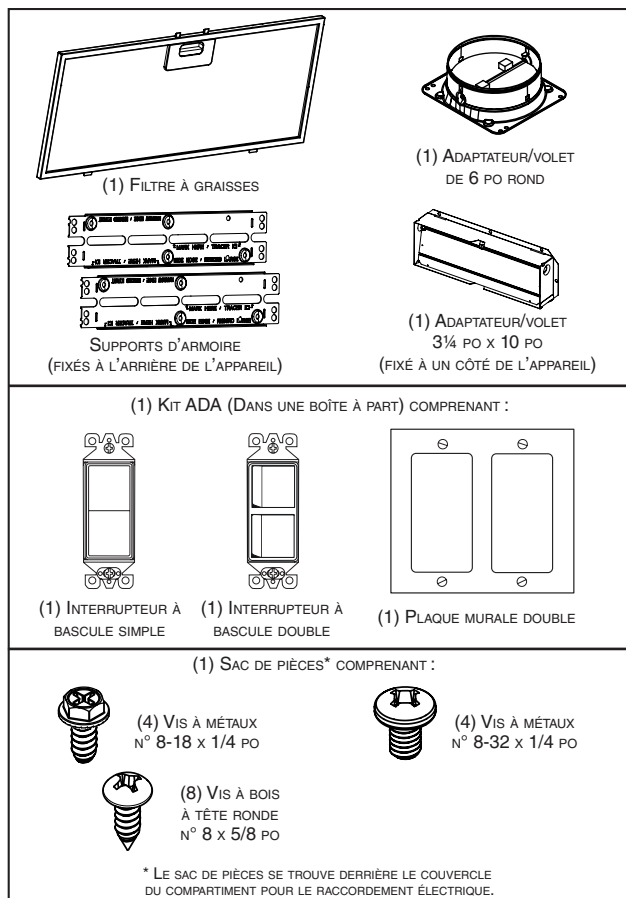
OUTILS ET ACCESSOIRES RECOMMANDÉS

- Ruban à mesurer
- Tournevis Phillips n° 2
- Tourne-écrou ou douille 3/8 po
- Tournevis à lame plate (pour dégager les ouvertures préamorcées)
- Scie (pour la découpe des trous dans l'armoire)
- Cisailles à tôle
- Pincettes
- Ruban adhésif de métal
- Ciseaux (pour couper le ruban adhésif de métal)
- Crayon
- Pince à dénuder
- 2 serre-fils de 7/8 po de diamètre
- 8 capuchons de connexion appropriés
- Câble 14/3 (pouvant supporter une température d'au moins 90° C (194° F))
- Câble 14/2 (pouvant supporter une température d'au moins 90° C (194° F))
- Revêtement d'armoire (optionnel)

CONTENU

Avant de procéder à l'installation, vérifier le contenu de la boîte. Si des articles sont manquants ou endommagés, contacter le fabricant.

S'assurer que les articles suivants sont inclus :



INSTALLATION DES CONDUITS (INST. AVEC CONDUITS SEULEMENT)

NOTE : Afin de réduire les risques d'incendie, n'utilisez que des conduits de métal.

1. Établir où le conduit passera entre la hotte et l'extérieur (FIG. 1).
2. Le conduit reliant cette hotte à l'extérieur du bâtiment a un effet direct sur le débit de l'air, le bruit généré et la consommation d'énergie de son ventilateur. Pour obtenir le meilleur rendement, utiliser un conduit le plus droit et le plus court possible, en évitant de raccorder le ventilateur de la hotte à un conduit de format plus petit que recommandé. De l'isolant autour du conduit peut réduire la perte d'énergie et empêcher la croissance de moisissures. Les hottes installées avec un conduit préexistant pourraient ne pas atteindre leur débit nominal. Veuillez vous référer aux tableaux suivants pour vous aider à planifier l'installation la plus efficace.
3. Installer un capuchon de toit ou de mur (vendus séparément). Relier le conduit en métal au capuchon, puis acheminer le conduit jusqu'à l'emplacement de la hotte. Sceller hermétiquement les raccords à l'aide de ruban adhésif de métal de 2 po de largeur.

LONGUEURS MAXIMALES DE CONDUIT RECOMMANDÉES POUR OBTENIR UNE EFFICACITÉ D'ÉVACUATION DE 80%

LONGUEUR MAXIMALE DE CONDUIT DE 3/4 PO X 10 PO, HORIZONTAL	LONGUEUR MAXIMALE DE CONDUIT DE 3/4 PO X 10 PO, VERTICAL	LONGUEUR MAXIMALE DE CONDUIT DE 6 PO ROND	CAPUCHON DE MUR OU DE TOIT AVEC CLAPET	COUDE(S)* DE (90° ET/OU 45°)
52 pi	83 pi	64 pi	1	0
43 pi	74 pi	55 pi	1	1
35 pi	66 pi	46 pi	1	2

* Coudes standards de rayon interne de 1 po.

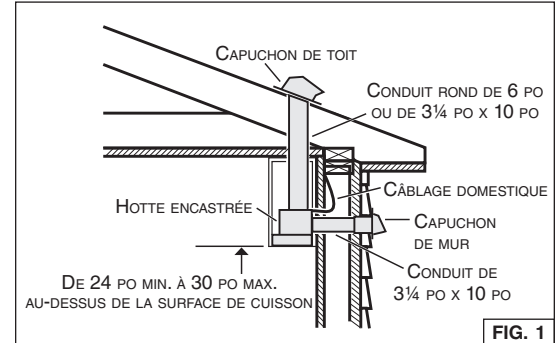


FIG. 1

INST. DES COMMANDES MURALES

ATTENTION

N'utilisez seulement que les interrupteurs inclus. Utilisez des fils pouvant supporter une température d'au moins 90°C (194°F).

1. Déballez les interrupteurs de la boîte. À l'aide de pinces, retirez la petite languette de l'interrupteur à bascule double (encerclée dans la FIG. 2).
2. Installer les deux interrupteurs à bascule à un emplacement pratique pour l'utilisateur. Utiliser un câble 14/3 et un câble 14/2 pour connecter les interrupteurs à la hotte (FIG. 3).

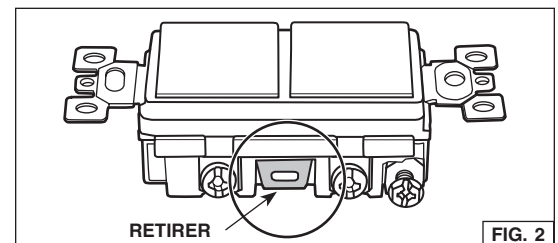


FIG. 2

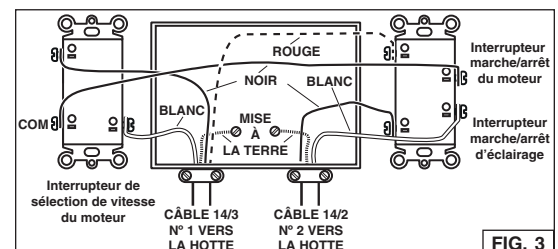
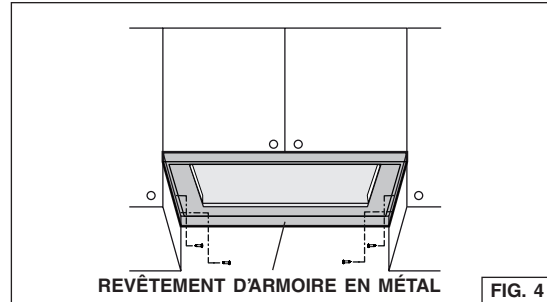


FIG. 3

REVÊTEMENTS D'ARMOIRE OPTIONNELS

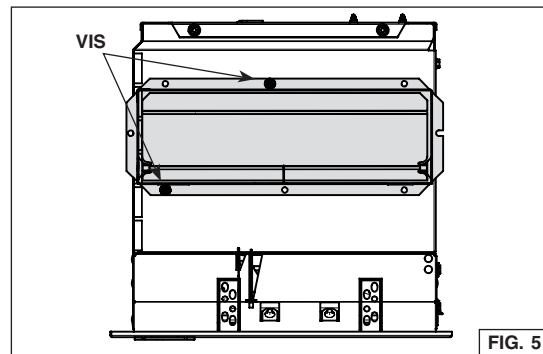
Pour les installations où la PMA400SS est située à moins de 30 po au-dessus de la surface de cuisson, la hotte encastrée devrait être montée avec un revêtement d'armoire de métal (FIG. 4) pour protéger de la chaleur les matériaux combustibles de l'armoire, afin de répondre aux exigences des codes de bâtiment. Cette précaution facilitera le nettoyage et protégera l'armoire. Consulter le tableau ci-contre pour trouver le modèle de revêtement correspondant à la largeur et au style de l'armoire. Visitez le www.broan-nutone.com ou le www.broan-nutone.ca pour plus de détails sur ces modèles.



MODÈLE DE REVÊTEMENT	LARGEUR NOMINALE DE L'ARMOIRE
LB30SS	30 po
LB36SS	36 po

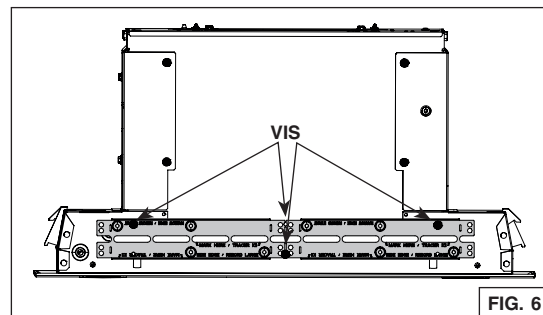
RETRAIT DE L'ADAPTATEUR/VOLET

Détacher et mettre de côté l'adaptateur/volet de 3¼ po x 10 po (en gris dans la FIG. 5) du côté de la hotte encastrée en retirant ses 2 vis de retenue. Se défaire des vis.

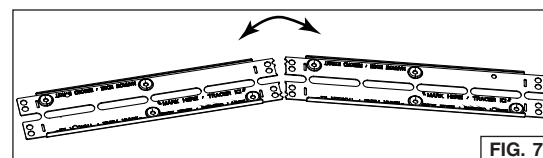


RETRAIT DES SUPPORTS D'ARMOIRE

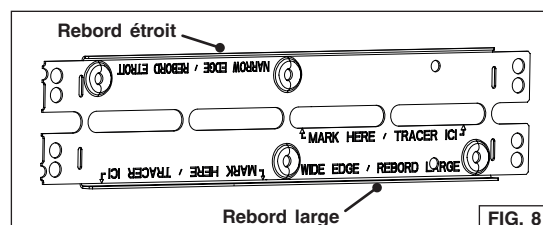
Détacher les supports d'armoire (en gris dans la FIG. 6) de l'arrière de la hotte encastrée en retirant ses 4 vis de retenue. Se défaire des vis.



Plier les supports vers le haut et le bas jusqu'à se qu'ils se détachent l'un de l'autre (FIG. 7). Garder les supports pour un usage éventuel.



NOTE : Les deux supports d'armoire sont munis d'un rebord large et d'un rebord étroit (FIG. 8), pour couvrir toutes les configurations d'installation, selon les largeurs d'armoire.



PRÉPARATION DE L'ARMOIRE

⚠ AVERTISSEMENT

L'armoire doit être fixée aux montants ou autre structure derrière la cloison pour supporter le poids de cet appareil. Ne pas suivre cette directive peut entraîner des blessures corporelles ou des dommages à la surface de cuisson ou au comptoir de cuisine.

NOTES: A. La hotte doit être installée dans l'armoire. Lors d'une installation avec un des revêtements d'armoire optionnels, utiliser le revêtement comme gabarit pour la découpe du trou dans la base de l'armoire.

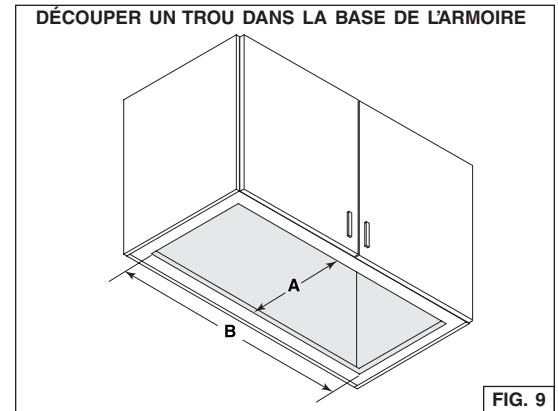
B. La hotte doit être installée centrée latéralement, au-dessus de la surface de cuisson.

C. Pour la position d'arrière vers l'avant, l'appareil doit être monté selon les codes de construction locaux.

1. Découper un trou dans la base de l'armoire aux dimensions indiquées (FIG. 9), ou utiliser le revêtement d'armoire comme gabarit.
2. Lorsque nécessaire, installer le revêtement d'armoire.
3. Mesurer ce qu'il reste de matériau des côtés de la base de l'armoire (C) (FIG. 10), s'il subsiste 1/4 po ou plus, nul besoin d'utiliser les supports d'armoire fournis. Passer à l'étape 8 en page 10.
4. S'il reste moins de 1/4 po de matériau (C), retirer soigneusement ces bandes. Mesurer la largeur intérieure de l'armoire (D) (FIG. 10). Consulter le tableau ci-dessous pour savoir quelle configuration de rebords de support doit être utilisée.

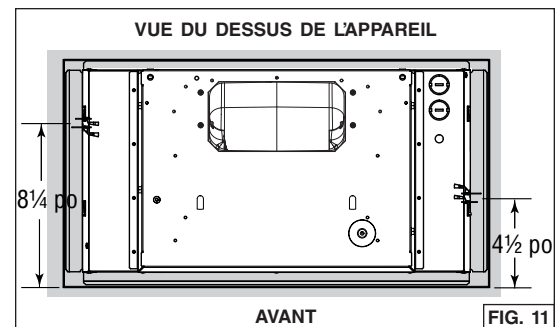
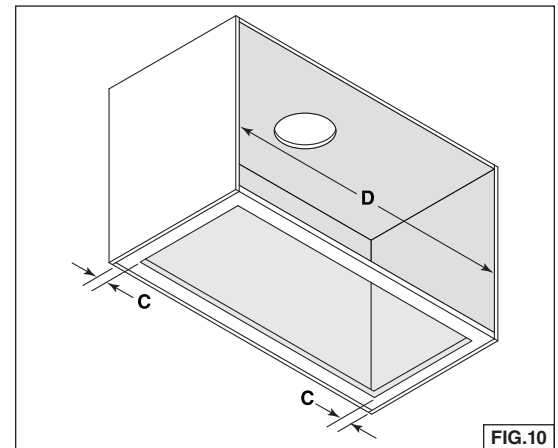
REBORD ÉTROIT	REBORD LARGE
D	D
De 19-9/16 po à < 20 po	De 20 po à 20-1/2 po

5. Repérer l'emplacement des crochets *Ease of Install* sur l'appareil (distance donnée à partir du rebord avant, FIG. 11). Mesurer et marquer, sur les deux côtés de l'armoire, l'emplacement des crochets *Ease of Install* (illustré en E dans la FIG. 12 en page suivante).



$$A = 10\frac{1}{4} \text{ po}$$

$$B = 19\frac{9}{16} \text{ po}$$



PRÉPARATION DE L'ARMOIRE (SUITE)

6. Installer les supports d'armoire comme suit (FIG. 12):

- ❶ Placer le support au même niveau que le bas du panneau droit de l'armoire, en centrant la marque de l'emplacement des crochets (**E**) entre les trous en relief inférieurs. Pour la configuration du rebord étroit, tracer une ligne sur le dessus du support. Pour la configuration du rebord large, tracer une ligne à la base des fentes centrales.
- ❷ Monter le support au même niveau que la ligne tracée. Fixer le support au panneau de côté de l'armoire à l'aide de 2 vis à bois n° 8 x 5/8 po (incluses dans le sac de pièces) dans les trous supérieurs.

NOTE : Ne pas utiliser les trous en relief pour fixer le support.

- ❸ Répéter les étapes ❶ à ❷ pour le panneau gauche.

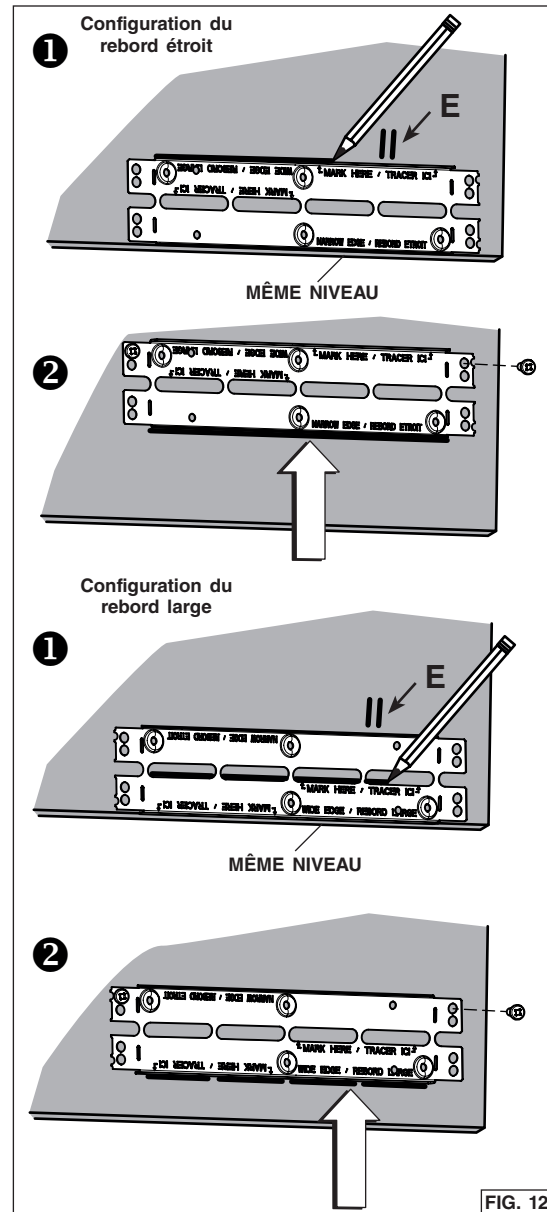


FIG. 12

PRÉPARATION DE L'ARMOIRE (SUITE)

7. Mesurer la distance entre les rebords du bas des deux supports (**F**) (FIG. 13). Le tableau ci-dessous indique les distances appropriées nécessaires :

REBORD ÉTROIT	REBORD LARGE
F De 19-3/8 po à < 19-9/16 po	F De 19-9/16 po à 19-13/16 po

Si la distance mesurée est trop grande, visser, dans chacun des trous en relief inférieurs des supports, 2 vis à métaux n° 8-32 x 1/4 po; ceci fera plier légèrement la partie inférieure des supports (FIG. 14). Visser les deux supports jusqu'à l'obtention de la distance appropriée.

INSTALLATION EN ÉVACUATION HORIZONTALE SEULEMENT

Cette hotte encastrable est configurée en usine pour évacuer verticalement; toutefois, il est possible qu'elle évacue horizontalement (avec conduit de 3/4 po x 10 po seulement).

8. Découper le trou pour l'évacuation horizontale dans le mur arrière de l'armoire aux dimensions indiquées. (FIG. 15).

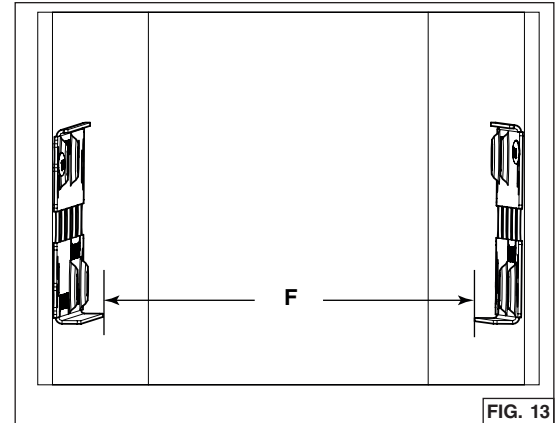


FIG. 13

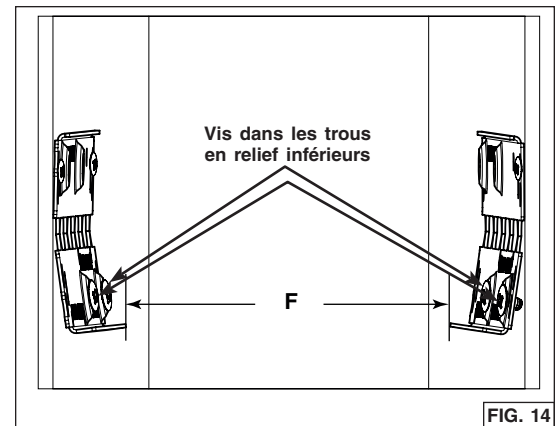


FIG. 14

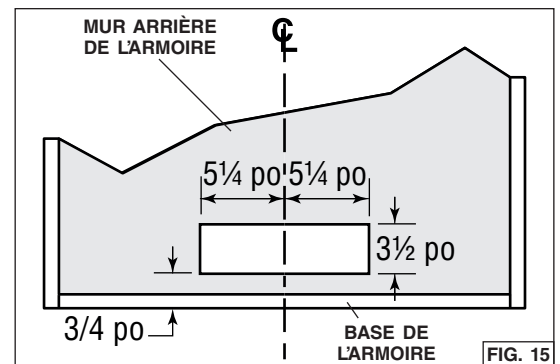


FIG. 15

PRÉPARATION DE L'APPAREIL

TOUTES LES INSTALLATIONS

1. Le cas échéant, retirer toute présence de pellicule de plastique protectrice sur la hotte ou ses pièces.
2. Retirer le filtre à graisses en appuyant sur le loquet et en le basculant vers le bas (FIG. 16). Mettre le filtre de côté.

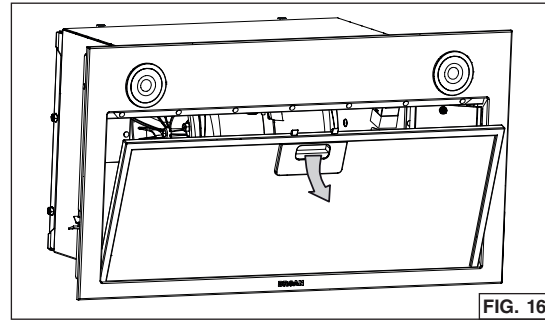


FIG. 16

3. Détacher le couvercle du compartiment électrique (en gris dans la FIG. 17) de l'intérieur de l'appareil en retirant sa vis de retenue. Retirer le sac de pièces de l'arrière du couvercle. Mettre de côté le sac de pièces et le couvercle avec sa vis.

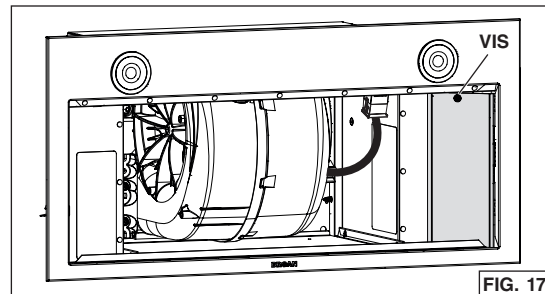


FIG. 17

4. Perforer **les deux** ouvertures préamorcées (en gris dans la FIG. 18). Installer, dans chaque trou, un serre-fils approprié de 7/8 po de diamètre (non inclus).

NOTE : L'ensemble de cordon d'alimentation HCK44 (optionnel) peut être utilisé au lieu du câble d'alimentation électrique domestique. Voir les instructions incluses avec l'ensemble de cordon d'alimentation HCK44.

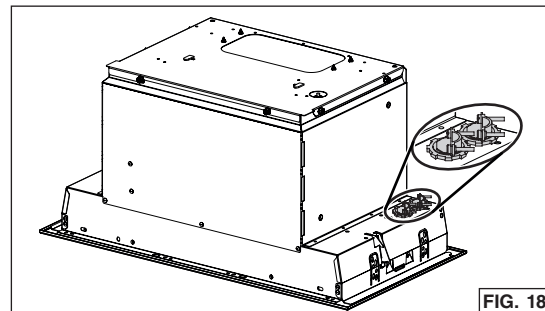


FIG. 18

INSTALLATION EN ÉVACUATION HORIZONTALE SEULEMENT

5. Débrancher le câble du ventilateur de son connecteur situé sur le châssis. Démontez le châssis de la hotte en retirant ses 4 vis de retenue (deux par côté, encadrées dans la FIG. 19). Mettre de côté le châssis avec ses vis.

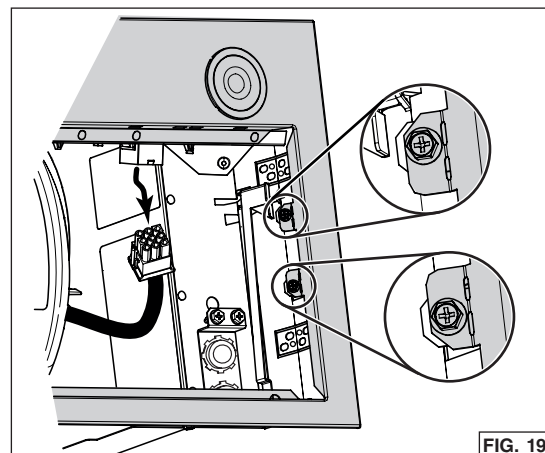


FIG. 19

6. Retirer les 6 vis (2 à l'avant et 2 par côté) retenant la plaque de support du ventilateur au dessus de la hotte (FIG. 20). Soulever soigneusement cette plaque avec le ventilateur et la mettre de côté. La plaque avec le ventilateur sera réinstallée plus tard dans l'appareil.

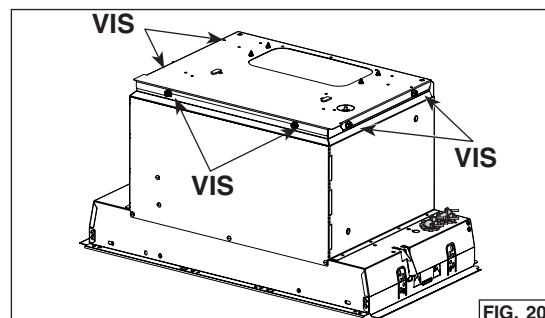
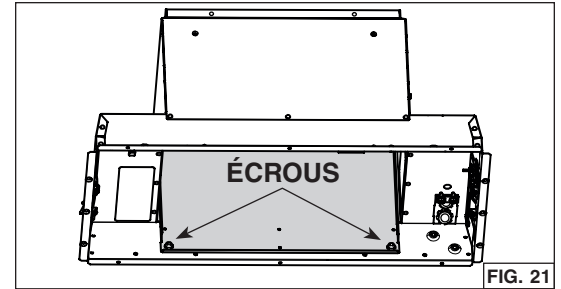


FIG. 20

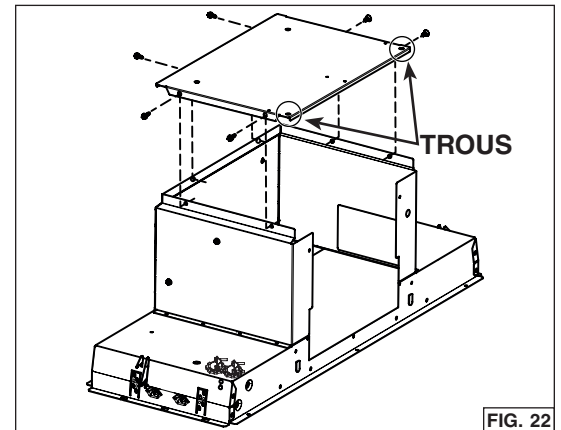
PRÉPARATION DE L'APPAREIL (SUITE)

INSTALLATION EN ÉVACUATION HORIZONTALE SEULEMENT (SUITE)

7. Par l'intérieur de l'appareil, détacher la plaque arrière (en gris dans la FIG. 21) en retirant ses 2 écrous de retenue à l'aide d'une douille de 3/8 po de diamètre. Mettre de côté les écrous et la plaque.



8. Installer la plaque arrière sur le dessus de l'appareil, où se trouvait la plaque de support du ventilateur. La placer de façon à ce que les trous situés près des coins se trouvent à l'arrière de l'appareil. L'assembler au dessus de l'appareil à l'aide des 6 vis retirées précédemment à l'étape 6 (FIG. 22).



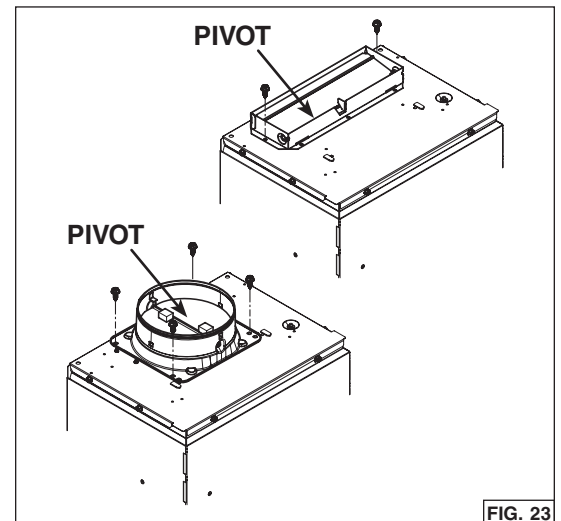
INSTALLATION EN ÉVACUATION VERTICALE SEULEMENT

9. Pour un conduit rectangulaire, utiliser 2 vis à métaux no. 8-18 x 1/4 po (incluses) pour fixer l'adaptateur/volet de 3 1/4 po x 10 po (inclus) sur le dessus de l'appareil, par dessus l'ouverture d'évacuation du ventilateur (FIG. 23).

NOTE: Le pivot du volet doit être placé vers l'avant de l'appareil.

Pour un conduit rond, utiliser 4 vis à métaux no. 8-18 x 1/4 po (incluses) pour fixer l'adaptateur/volet de 6 po rond (inclus) sur le dessus de l'appareil, par dessus l'ouverture d'évacuation du ventilateur (FIG. 23).

NOTE: Le pivot du volet doit être parallèle aux côtés de la hotte.



INSTALLATION DE L'APPAREIL

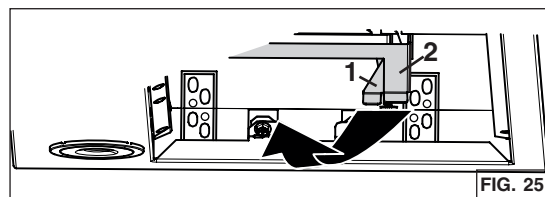
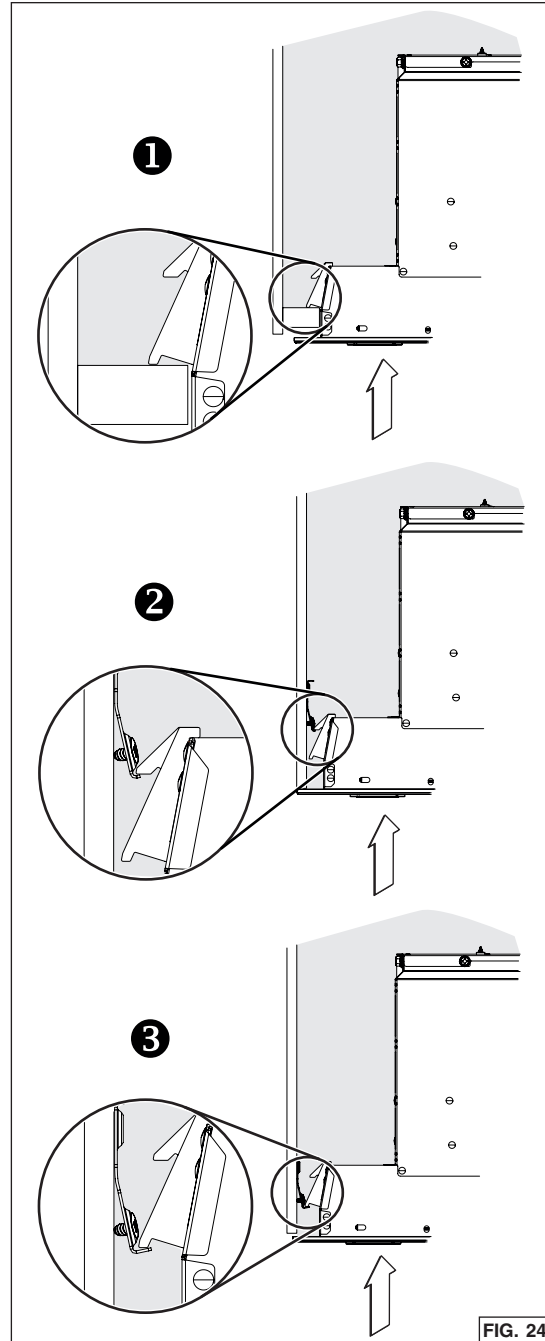
1. Acheminer le câble d'alimentation électrique du panneau de distribution jusqu'à l'emplacement de l'appareil. Prévoir une longueur de 2 pi à l'intérieur de l'armoire. Passer le câble d'alimentation dans la hotte à travers un des serre-fils de 7/8 po de diamètre péalablement installé.

NOTE : Non nécessaire si l'ensemble de cordon d'alimentation HCK44 est utilisé.

2. Acheminer les câbles 14/2 et 14/3 provenant des commandes murales jusqu'à l'emplacement de l'appareil. Prévoir une longueur de 2 pi à l'intérieur de l'armoire. Passer le câble 14/2 et le câble 14/3 dans la hotte à travers l'autre serre-fils de 7/8 po de diamètre péalablement installé.

3. Insérer l'appareil dans l'armoire, jusqu'à ressentir un « clic » provenant des deux côtés de l'appareil, confirmant que les crochets *Ease of Install* s'appuient sur le dessus des côtés de la base de l'armoire ❶, ou sur les rebords des supports d'armoire ❷ ou ❸ (FIG. 24). Bouger l'appareil de gauche à droite, d'avant à l'arrière et le lever pour vérifier que les crochets *Ease of Install* retiennent l'appareil à l'intérieur de l'armoire.

NOTE : L'appareil dépassera un peu l'armoire jusqu'à ce qu'il soit vissé dans celle-ci.



NOTE : Si, pour quelque raison que ce soit, l'appareil devait être enlevé de l'armoire, il est possible de désengager les crochets *Ease of Install*. Pour ce faire, tout en retenant la hotte et en poussant sur un de ses côtés, lever simultanément les deux leviers des crochets *Ease of Install* (1 et 2, en gris dans la FIG. 25) de l'autre côté de la hotte jusqu'à ce que les crochets soient désengagés.

INSTALLATION DE L'APPAREIL (SUITE)

4. Lever la hotte jusqu'à ce que son rebord s'appuie sur la base de l'armoire. Fixer la hotte à l'armoire à l'aide de 4 vis à bois n° 8 x 5/8 po incluses dans le sac de pièces (2 vis par côté). Utiliser les trous supérieurs ou inférieurs (1, 2, 3, 4, 5 ou 6) (FIG. 26).

⚠ AVERTISSEMENT

Les crochets *Ease of Install* retiennent la hotte **TEMPORAIREMENT** en place. La hotte **DOIT ÊTRE** fixée à l'armoire avec les 4 vis.

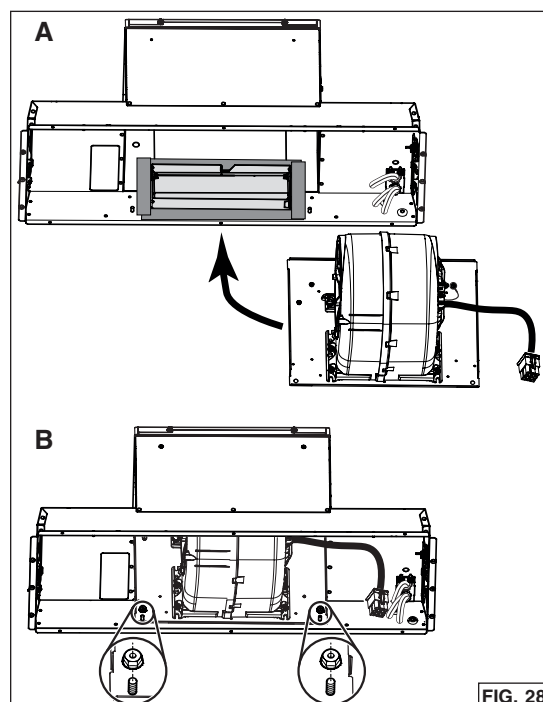
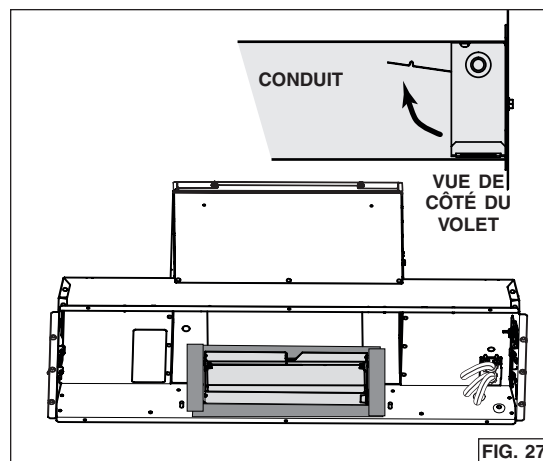
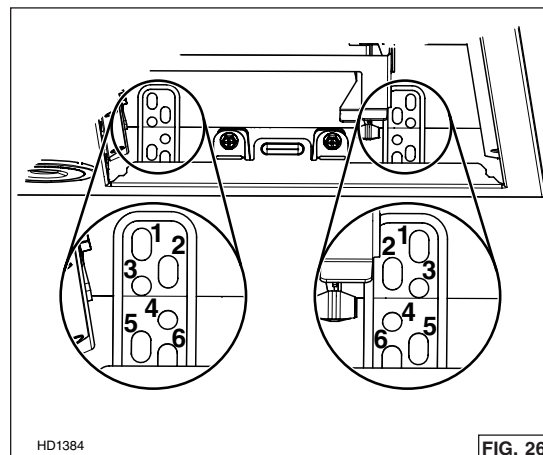
⚠ AVERTISSEMENT

Ne jamais se servir de cet appareil comme tablette.

INSTALLATION EN ÉVACUATION HORIZONTALE SEULEMENT

5. Par l'intérieur de la hotte, glisser l'adaptateur/volet de 3¼ po x 10 po dans le conduit horizontal, puis le fixer à la hotte à l'aide de ruban adhésif de métal tout autour de celui-ci (FIG. 27). S'assurer que le volet ouvre tel qu'il est illustré dans la vue de côté du volet.

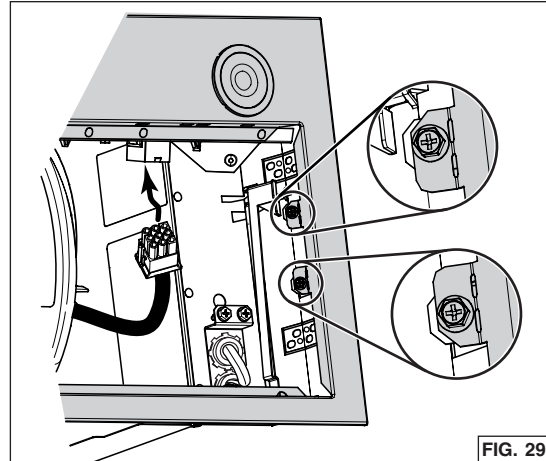
6. Insérer le ventilateur avec sa plaque à l'intérieur de la hotte, à l'endroit où se trouvait la plaque arrière (A). Fixer la plaque à la hotte avec les 2 écrous retirés précédemment à l'étape 7 en page 12 (B) (FIG. 28).



INSTALLATION DE L'APPAREIL (SUITE)

INSTALLATION EN ÉVACUATION HORIZONTALE SEULEMENT (SUITE)

7. Réinstaller et fixer le châssis à la hotte à l'aide des 4 vis de retenue (deux par côté, encerclées dans la FIG. 29). Brancher le câble du ventilateur à son connecteur situé sur le châssis (FIG. 29)



RACCORDEMENT DU CONDUIT

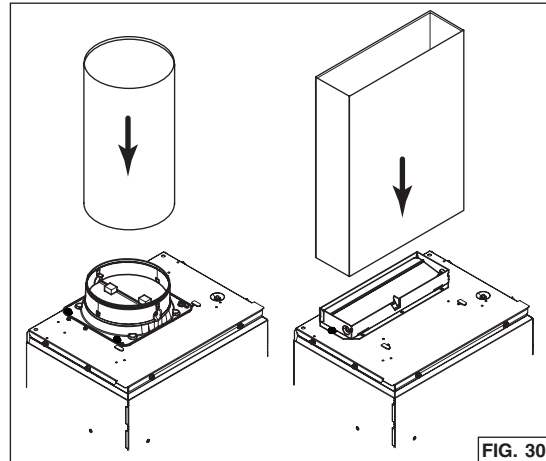
INSTALLATION EN ÉVACUATION VERTICALE SEULEMENT

Installation avec conduit

Utiliser un conduit de métal rond de 6 po ou de 3¼ po x 10 po pour relier l'adaptateur/volet sur le dessus de la hotte au réseau de conduit (FIG. 30). Sceller le joint avec du ruban adhésif de métal.

Installation en recirculation

Un ensemble de recirculation est requis pour ce type d'installation (vendu séparément, modèle HARKPM21). Pour l'installation, suivre les directives incluses avec cet ensemble.



BRANCHEMENT ÉLECTRIQUE

⚠ AVERTISSEMENT

Risque d'électrocution. Le raccordement électrique doit être effectué par du personnel qualifié conformément aux codes et aux standards en vigueur. Avant d'effectuer le branchement, coupez l'alimentation électrique au panneau de distribution et verrouillez-le pour éviter une mise en marche accidentelle.

NOTES: 1. Utiliser des capuchons de connexion appropriés (non inclus) pour la connexion des fils.

2. Voir la FIG. 31 pour la connexion des fils.

1. Connecter le fil VERT ou dénudé du câble d'alimentation électrique à une vis VERTE de mise à la terre (①).
2. Connecter les fils du **câble d'alimentation électrique** aux fils de la hotte comme suit: le fil NOIR au fil NOIR (②) et le fil BLANC au fil BLANC (③).
3. Connecter les fils du **câble 14/2 n° 2** aux fils de la hotte comme suit: le fil NOIR au fil BRUN (④) et le fil BLANC au fil BLEU (⑤).
4. À l'aide d'un court fil de mise à la terre (non inclus), connecter les fils VERTS ou dénudés des câbles n° 1 et n° 2 à l'autre vis VERTE de mise à la terre (⑥).
5. Connecter les fils du **câble 14/3 n° 1** aux fils de la hotte comme suit: le fil ROUGE au fil ROUGE (⑦), le fil NOIR au fil ORANGE (⑧) et le fil BLANC au fil POURPRE (⑨).
6. Remettre en place le couvercle du compartiment électrique en s'assurant que les pattes du bas sont insérées dans leur emplacement surélevé. Le fixer à la hotte à l'aide de sa vis de retenue (FIG. 32).

NOTE: Tous les fils ne sont pas illustrés.

ATTENTION

Prendre garde de ne pas pincer les fils lors de la remise en place du couvercle.

INSTALLATION DU FILTRE

Installation avec conduits

Remettre en place le filtre à graisses.

Installation en recirculation

Attacher le filtre de recirculation (inclus avec l'ensemble HARKPM21) à l'endos du filtre à graisses à l'aide des clips (incluses avec le filtre de recirculation). Pour commander un nouveau filtre de recirculation, demander la pièce n° S99010464.

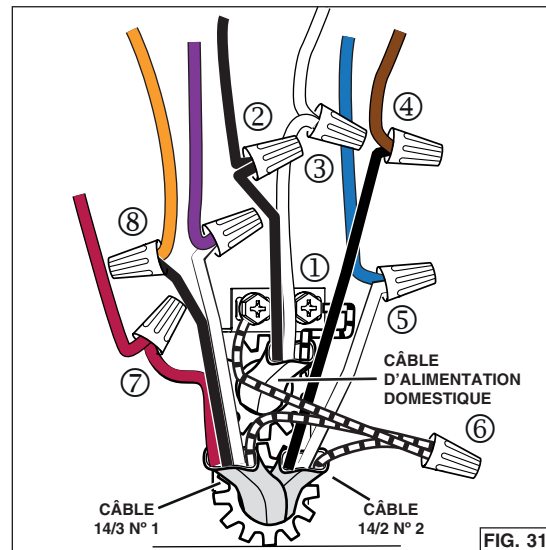


FIG. 31

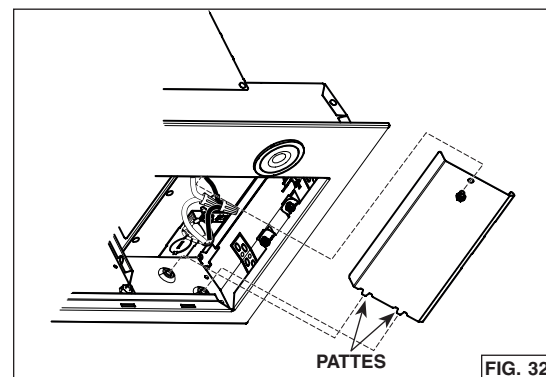


FIG. 32

FONCTIONNEMENT

A: Interrupteur de sélection de vitesse du ventilateur:

Cet interrupteur à bascule à 3 voies contrôle la vitesse du ventilateur.

Position haute: haute vitesse.

Position basse: basse vitesse.

B: Interrupteur MARCHÉ/ARRÊT du ventilateur:

Cet interrupteur à bascule met en marche ou arrête le fonctionnement du ventilateur.

Position gauche: ARRÊT.

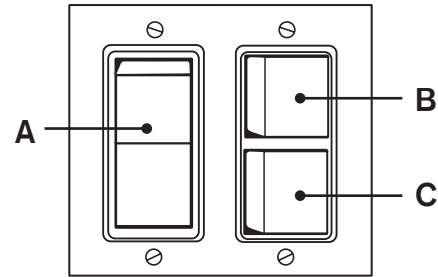
Position droite: MARCHÉ.

C: Interrupteur MARCHÉ/ARRÊT de l'éclairage:

Cet interrupteur à bascule allume et éteint l'éclairage DEL.

Position gauche: ÉTEINT.

Position droite: ALLUMÉ.



HEAT SENTRY^{MC}

Votre appareil est équipé d'un thermostat HEAT SENTRY^{MC}.

Ce thermostat est un dispositif qui activera ou augmentera la vitesse du ventilateur s'il détecte une chaleur excessive au-dessus de la surface de cuisson.

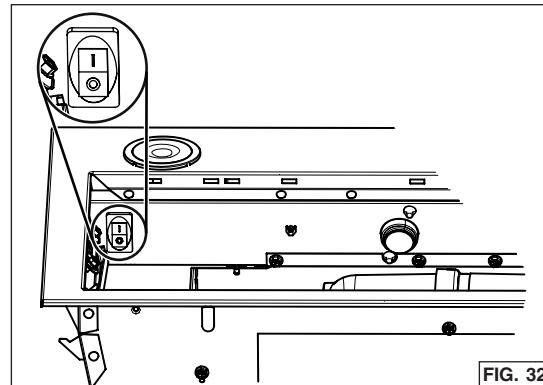
1) Si le ventilateur est en ARRÊT, il activera le ventilateur en HAUTE vitesse.

2) Si le ventilateur est en MARCHÉ à une vitesse plus basse, il activera le ventilateur en HAUTE vitesse.

Lorsque la température revient à la normale, le ventilateur retournera à son réglage initial.

⚠ AVERTISSEMENT

Le thermostat HEAT SENTRY peut activer le ventilateur même lorsqu'il est arrêté. Lorsque ça se produit, il est impossible d'arrêter le ventilateur avec son interrupteur. Si vous devez arrêter le ventilateur, régler l'interrupteur principal situé derrière les filtres, du côté interne du châssis de la hotte, en position ARRÊT (s'il est possible de le faire sécuritairement). Voir le médaillon de la FIG. 32.



ENTRETIEN

TOUJOURS COUPER L'ALIMENTATION ÉLECTRIQUE AVANT D'EFFECTUER UNE QUELCONQUE OPÉRATION SUR CET APPAREIL.

Filtre à graisses

Le filtre à graisses doit être nettoyé fréquemment. Utiliser une solution d'eau chaude et de détergent. Le filtre est lavable au lave-vaisselle.

Nettoyer le filtre au lave-vaisselle à l'aide d'un détergent sans phosphate. L'utilisation d'un détergent avec phosphates ainsi que les conditions locales de l'eau peuvent entraîner une décoloration du filtre, sans toutefois affecter sa performance. Cette décoloration n'est pas couverte par la garantie. Afin de prévenir ou de limiter la décoloration, laver le filtre à la main avec un détergent doux.

Filtre de recirculation

Le filtre de recirculation doit être remplacé tous les 3 à 6 mois. Le remplacer plus souvent si vos habitudes de cuisson génèrent plus de graisses, comme par exemple la friture ou les aliments sautés au wok.

NETTOYAGE DE L'ACIER INOXYDABLE

À faire :

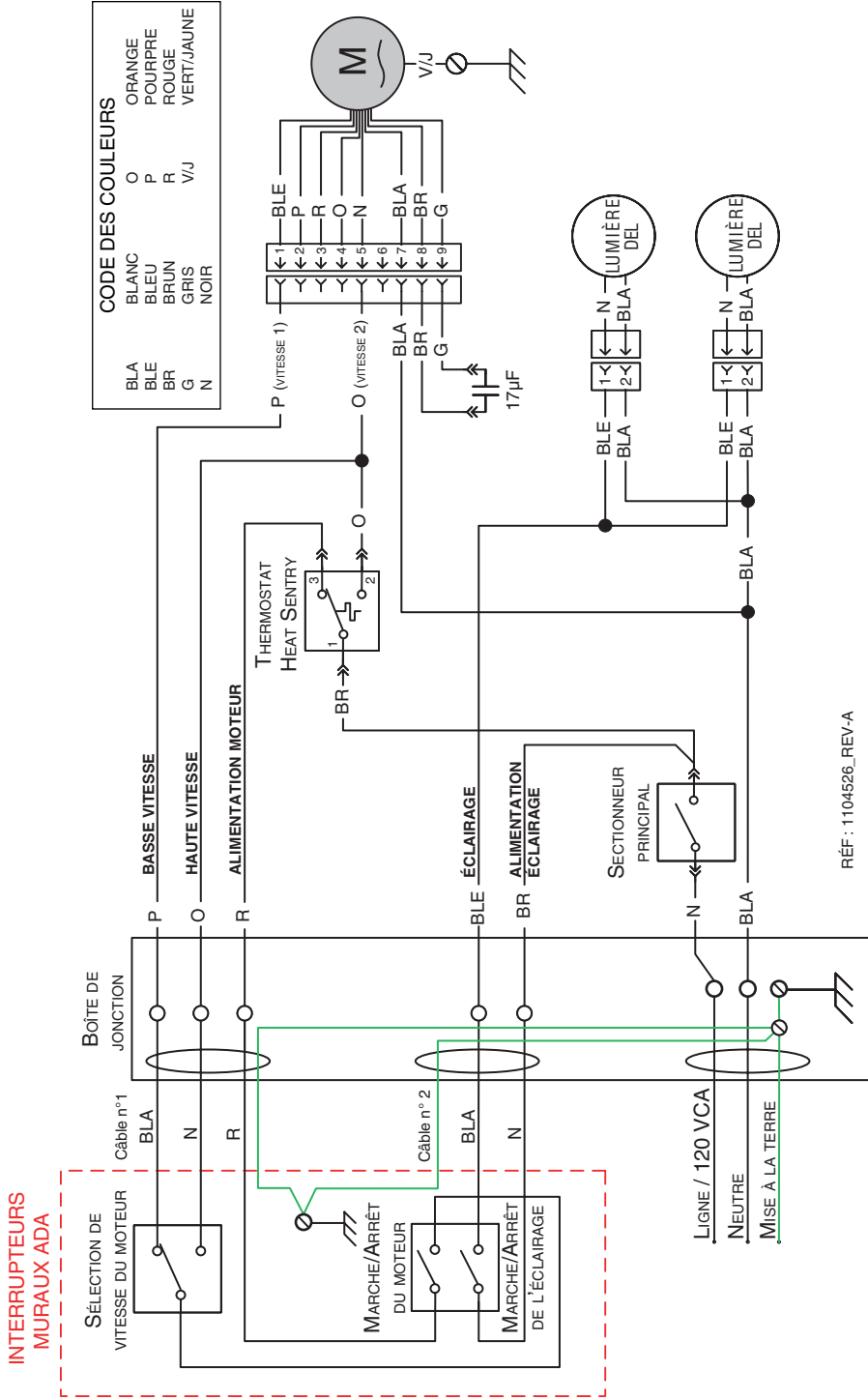
- Laver régulièrement les surfaces à l'aide d'un chiffon propre imbibé d'eau chaude et de savon doux ou de détergent liquide à vaisselle.
- Toujours nettoyer dans le sens du polissage.
- Toujours bien rincer avec de l'eau claire (2 à 3 fois) et essuyer complètement.
- Un nettoyant domestique conçu spécialement pour l'acier inoxydable peut aussi être utilisé.

À ne pas faire :

- Ne pas utiliser de laine d'acier ou d'acier inoxydable ou tout autre grattoir pour enlever la saleté tenace.
- Ne pas utiliser une poudre nettoyante abrasive ou rugueuse.
- Ne pas laisser la saleté s'accumuler.
- Ne pas laisser la poussière de plâtre ou tout autre résidu de construction atteindre l'appareil. Couvrir l'appareil pour la durée des travaux afin de s'assurer qu'aucune poussière ne l'atteigne.

À éviter lors du choix d'un détergent :

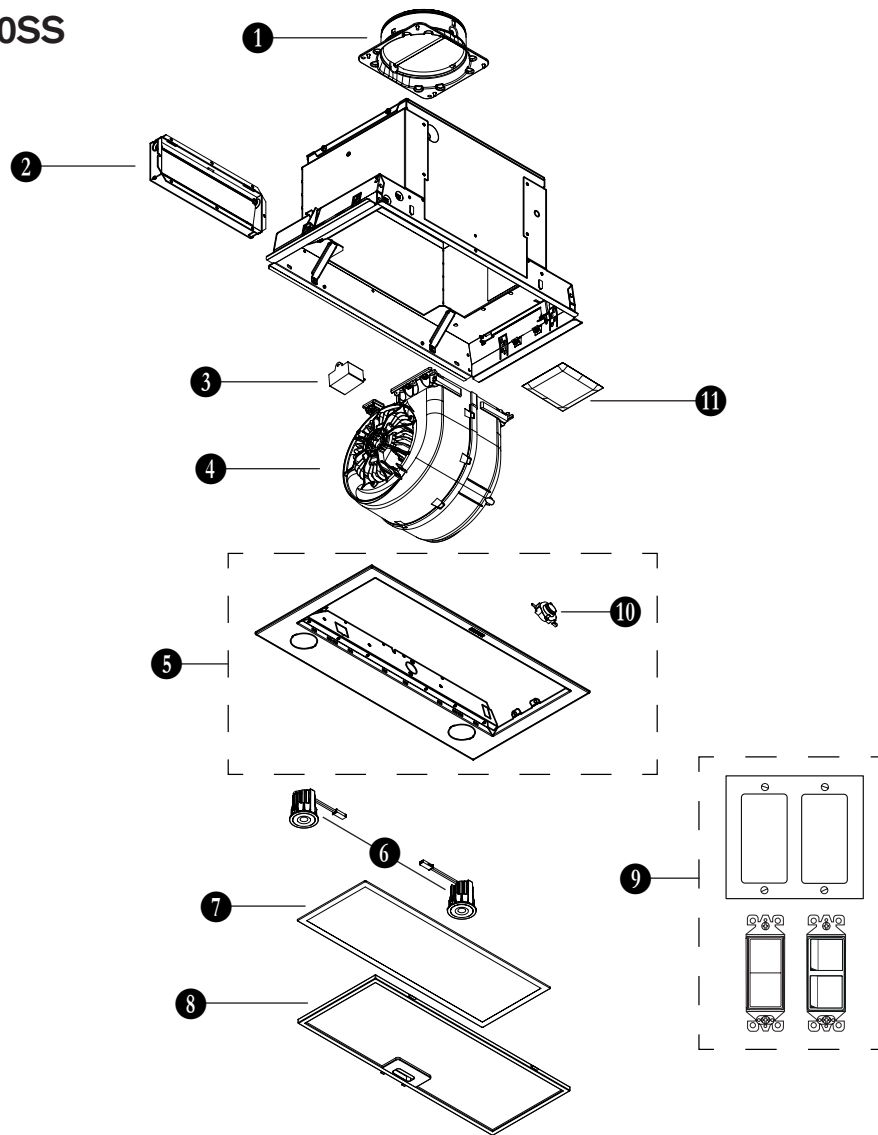
- Tous produits nettoyants contenant des **agents de blanchiment**; ils attaqueront l'acier inoxydable.
- Tous produits contenant du **chlorure**, du **fluorure**, de l'**iode** ou du **bromure**; ils détérioreront rapidement les surfaces.
- Tous produits combustibles utilisés pour le nettoyage : **acétone**, **alcool**, **éther**, **benzène**, etc.; ils sont grandement explosifs et ne devraient jamais être utilisés près d'une cuisinière.



SCHEMA ÉLECTRIQUE

DIRECTIVES D'INSTALLATION, D'UTILISATION ET D'ENTRETIEN

PMA400SS



DIRECTIVES D'INSTALLATION, D'UTILISATION ET D'ENTRETIEN

PIÈCES DE RECHANGE

REPÈRE	N° DE PIÈCE	DESCRIPTION	QTÉ
1	SV08487	ADAPTATEUR/VOLET 6 po ROND	1
2	SR740014	ADAPTATEUR/VOLET 3¼ po x 10 po	1
3	S99271702	CONDENSATEUR 17 µF	1
4	S97021510	VENTILATEUR 400 PI ³ /MIN	1
5	S98012198-807	CHÂSSIS (INCLUANT LE REPÈRE 10)	1
6	S99271693	ENSEMBLES DE MODULE DEL (PAIRE)	1
7	S99010464	FILTRE AU CHARBON AVEC CLIPS (NON ILLUSTRÉES) (INSTALLATION SANS CONDUIT SEULEMENT, INCLUS DANS LE KIT DE RECIRCULATION N° HARKPM21)	1
8	S99010400	FILTRE À GRAISSES À MAILLAGE FIN	1
9	HAWSK3	Kit ADA	1
10	S99030381	THERMOSTAT HEAT SENTRY	1
11	S1104978	SAC DE PIÈCES INCLUANT : 4 VIS À MÉTAUX N° 8-18 x 1/4 po, 4 VIS À MÉTAUX N° 8-32 x 1/4 po, 8 VIS À BOIS N° 8-15 x 5/8 po.	1

Garantie limitée

Période de garantie et exclusions: Broan NuTone LLC (la « Société ») ou Venmar Ventilation ULC et/ou son sous-traitant garantit au consommateur acheteur initial (« vous ») de son produit (le « Produit ») que celui-ci est exempt de tout vice de matériau ou de fabrication pour une période de un (1) an à compter de la date d'achat originale (ou toute période plus longue que pourrait exiger une loi applicable). Pour les hottes munies de modules à DEL intégrés, la Société garantit que les modules à DEL ainsi que le module d'alimentation DEL sont exempts de tout vice de matériau pour une période de trois (3) ans. La période de la garantie limitée sur toute pièce de remplacement fournie par la Société et sur tout produit réparé ou remplacé en vertu de la présente garantie limitée correspond au reste de la période de garantie originale (ou toute période plus longue que pourrait exiger une loi applicable). La présente garantie ne s'applique pas aux tubes fluorescents et aux démarreurs, ni aux ampoules halogènes, incandescentes ou DEL, fusibles, filtres, conduits, capuchons de toit, capuchons muraux et autres accessoires pour conduits pouvant avoir été achetés séparément et installés avec le produit. La présente garantie ne couvre pas (a) les travaux d'entretien et de service normaux, (b) l'usure normale, (c) tout produit ou toute pièce ayant fait l'objet d'une mauvaise utilisation, d'un abus, d'un usage anormal, d'une négligence, d'un accident, d'un entretien, rangement ou réparation inadéquats ou insuffisants (autre que par la Société), (d) les dommages dus à une mauvaise installation, ou à une installation ou utilisation contraires aux recommandations ou instructions, (e) tout produit déplacé de son lieu d'installation original, (f) les dommages dus à des éléments environnementaux ou naturels, (g) les dommages dus au transport, (h) l'usure naturelle du fini, (i) les produits utilisés à des fins commerciales ou non-résidentielles ou (j) les dommages dus à un incendie, à une inondation ou à un événement fortuit, (k) les produits dont les numéros de série ont été altérés, rendus illisibles ou enlevés. La présente garantie ne couvre que les produits vendus au consommateur initial aux États-Unis et au Canada par la Société ou par les distributeurs américains et canadiens autorisés par la Société.

La présente garantie remplace toute garantie précédente et le consommateur et acheteur initial ne peut la céder à quiconque.

Aucune autre garantie: La présente garantie limitée stipule les seules obligations de la Société et votre seul recours en cas de produits défectueux. La garantie ci-dessus est exclusive et remplace toute autre garantie, expresse ou tacite. **LA SOCIÉTÉ EXCLUT TOUTE AUTRE GARANTIE OU CONDITION EXPRESSE ET TOUTE GARANTIE OU CONDITION DÉCOULANT IMPLICITEMENT DE LA LOI, Y COMPRIS, SANS S'Y LIMITER, LES GARANTIES DE VALEUR MARCHANDE ET D'ADÉQUATION À UN USAGE PARTICULIER.** Dans la mesure où la loi en vigueur interdit l'exclusion des garanties tacites ou conditions, la durée de toute garantie tacite est limitée à la période stipulée ci-dessus pour la garantie expresse. Certains territoires ou provinces interdisant de limiter la durée d'une garantie tacite, la limitation ci-dessus peut ne pas s'appliquer à votre situation. Toute description verbale ou écrite du produit a pour seule fin de l'identifier et ne doit pas être interprétée comme une garantie expresse.

Si possible, chaque disposition de cette garantie limitée doit être interprétée de sorte à être en vigueur et valide en vertu des lois applicables, mais si une disposition s'avère interdite ou invalide, elle le sera seulement dans la mesure de cette interdiction ou invalidité, sans invalider le reste de cette disposition ni les autres dispositions de la présente garantie limitée.

Recours: Pendant la période de garantie limitée applicable, la Société pourra, à son choix, fournir des pièces de rechange ou réparer ou remplacer, sans frais, tout produit ou toute pièce, dans la mesure où la Société constate qu'il est couvert et contrevient à la présente garantie limitée dans des conditions normales d'utilisation et de service. La Société vous enverra gratuitement le produit réparé ou remplacé ou les pièces de rechange. Vous êtes responsable des frais de démontage, de remontage, d'expédition, d'assurance ou de tous autres frais de transport pour l'envoi du produit ou de la pièce à la Société. Si vous devez envoyer le produit ou la pièce à la Société, tel que la Société vous l'indiquera, vous devrez l'emballer correctement. La Société n'est pas responsable des dommages subis lors du transport. La Société se réserve le droit d'utiliser des produits ou des pièces remis en état, remis à neuf, réparés ou réusinés dans le processus de réparation ou de remplacement sous garantie. Lesdits produits ou pièces seront comparables en fonction et en performance aux produits et pièces d'origine et seront garantis pendant le reste de la période de garantie originale (ou toute période plus longue que pourrait exiger une loi applicable).

La Société se réserve le droit, à son entière discrétion, de vous rembourser le prix que vous avez payé pour votre produit en lieu et place d'une réparation ou d'un remplacement. Si le produit ou le composant n'est plus offert, il sera remplacé par un produit de valeur égale ou supérieure, à l'entière discrétion de la Société. Cette mesure constitue votre recours exclusif en cas de violation de cette garantie limitée.

Exclusion de dommages: L'OBLIGATION DE LA SOCIÉTÉ DE FOURNIR DES PIÈCES DE RECHANGE, OU DE RÉPARER OU REMPLACER LE PRODUIT, À SON CHOIX, CONSTITUE VOTRE SEUL ET UNIQUE RECOURS EN VERTU DE LA PRÉSENTE GARANTIE LIMITÉE ET LA SEULE ET UNIQUE OBLIGATION DE LA SOCIÉTÉ. LA SOCIÉTÉ NE PEUT ÊTRE TENUE RESPONSABLE DE TOUT DOMMAGE INDIRECT, CONSÉCUTIF, ACCESSOIRE OU SPÉCIAL DÉCOULANT DE L'UTILISATION OU DU RENDEMENT DU PRODUIT. Les dommages accessoires comprennent, sans pour autant y être limités, la perte de temps et la privation de jouissance. Les dommages indirects comprennent, sans pour autant y être limités, le coût de réparation ou de remplacement des autres biens endommagés par le mauvais fonctionnement du produit.

LA SOCIÉTÉ NE POURRA ÊTRE TENUE RESPONSABLE EN RIEN, NI À TOUTES PERSONNES, DE TOUTE OBLIGATION OU RESPONSABILITÉ INCLUANT SANS S'Y LIMITER, LES OBLIGATIONS OU RESPONSABILITÉS ÉMANANT D'UN BRIS DE CONTRAT OU D'UNE VIOLATION DE GARANTIE, LA NÉGLIGENCE OU AUTRE FORME DE PRÉJUDICE, OU TOUT AUTRE THÉORIE DE STRICTE RESPONSABILITÉ CONCERNANT LE PRODUIT, LES ACTIONS, OMISSIONS OU AUTRE DE LA SOCIÉTÉ.

Certains territoires ou provinces ne permettant pas la limitation ou l'exclusion des dommages indirects ou consécutifs, la limitation ci-dessus peut ne pas s'appliquer à votre situation. La présente garantie vous confère des droits spécifiques reconnus par la loi. D'autres droits pourraient également vous être accordés selon la législation locale en vigueur.

La présente garantie ne couvre que le remplacement ou la réparation des produits ou pièces défectueux à l'usine principale de la Société et ne comprend pas les frais de voyage et ni les dépenses quotidiennes pour une réparation à domicile.

Toute aide que la Société vous fournit en dehors des dispositions, limitations ou exclusions de cette garantie limitée ne constituera en rien une renonciation auxdites dispositions, limitations ou exclusions, et ne prolongera aucunement cette garantie pas plus qu'elle ne la remettra en vigueur. Les conditions, exclusions et les limitations de responsabilités au titre de la présente garantie ne s'appliqueront pas dans la mesure où toute loi applicable l'interdit.

La Société ne vous remboursera aucune dépense encourue par vous pour la réparation ou le remplacement de tout produit défectueux, sauf celles que vous avez encourues avec la permission écrite préalable de la Société.

Comment bénéficier du service de garantie: Pour vous prévaloir de cette garantie, vous devez (a) aviser la Société à l'adresse ou au numéro de téléphone indiqués ci-dessous dans les sept (7) jours du constat de la défectuosité couverte, (b) donner le numéro de modèle du produit et le numéro d'identification de la pièce et (c) décrire la nature de la défectuosité du produit ou de la pièce. Lors de votre demande de garantie, vous devez présenter une preuve de la date d'achat originale. Si vous ne pouvez pas fournir une copie écrite de la garantie limitée originale, les dispositions de la garantie limitée écrite la plus récente de la Société concernant ce produit particulier s'appliqueront. Vous trouverez les garanties limitées écrites les plus récentes des produits de la Société sur les sites www.broan-nutone.com et www.broan-nutone.ca.

Broan-NuTone LLC 926 West State Street, Hartford, Wisconsin, USA 53027 Broan-NuTone.com 800-558-1711

Venmar Ventilation ULC, 550 Lemire Blvd., Drummondville, Québec, Canada J2C 7W9 Broan-NuTone.ca 800-567-3855

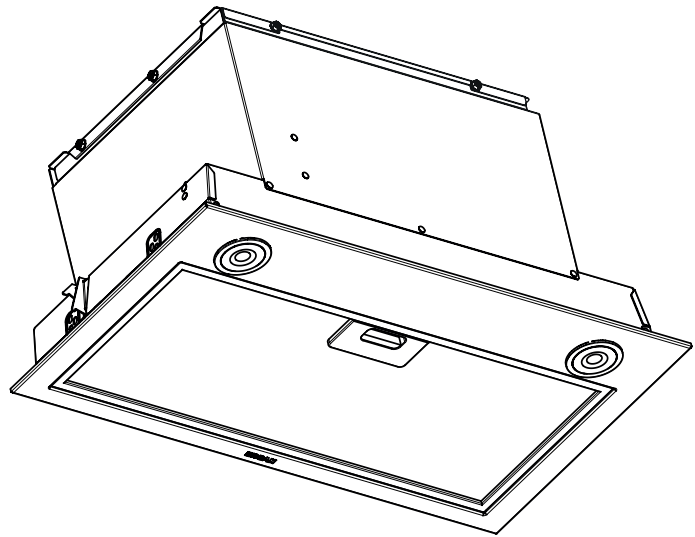


BROAN

Campana empotrable

Número de modelo: PMA400SS

INSTRUCCIONES DE INSTALACIÓN, USO Y CUIDADO



Número serial:

Seguridad	3-4
Instalación	5-16
Herramientas y accesorios recomendados	5
Contenido	5
Instalación de los conductos (Instalaciones con conductos únicamente)	6
Instalación de los interruptores en la pared	6
Recubrimiento de gabinete opcional	7
Retirada del adaptador/compuerta	7
Retirada de los soportes del gabinete	7
Preparación del gabinete	8-10
Preparación del aparato	11-12
Instalación del aparato	13-15
Conexión del conducto	15
Conexión eléctrica	16
Instalación del filtro	16
Funcionamiento	17
Mantenimiento y Limpieza	18
Filtro de grasa	
Filtro de recirculación	
Limpieza del acero inoxidable	
Diagrama de cableado	19
Partes de servicio	20
Garantía	21

En EE.UU., registre su campana de cocina en línea en www.broan-nutone.com

En Canadá, registre su campana de cocina en línea en www.broan-nutone.ca

Para asistencia técnica, marcar el número de teléfono siguiente:

En EE.UU.: 800-637-1453

En Canadá: 800-567-3855

INSTALADOR: ENTREGUE ESTE MANUAL AL PROPIETARIO.

LEA ESTAS INSTRUCCIONES Y GUÁRDELAS

⚠ Exclusivamente para cocinas domésticas ⚠

⚠ ADVERTENCIA



PARA REDUCIR EL RIESGO DE INCENDIO, DESCARGA ELÉCTRICA O LESIÓN CORPORAL, RESPETE LAS SIGUIENTES INDICACIONES:



- Utilice esta unidad únicamente de la forma en que indica el fabricante. Si tiene cualquier pregunta, póngase en contacto con el fabricante en la dirección o el teléfono que aparecen en la garantía.
- Antes de reparar o limpiar el aparato, apáguelo en el tablero de servicio y bloquee los medios de desconexión para impedir que la corriente se conecte accidentalmente. Cuando no se pueda bloquear los medios de desconexión, coloque un dispositivo de advertencia visible (como una etiqueta) en el tablero de servicio.
- La instalación y la conexión eléctrica deben ser realizadas por personal calificado de acuerdo con todos los códigos y normas aplicables, incluso los relativos a la construcción ignífuga.
- Para lograr una combustión adecuada y una extracción correcta de los gases a través de la salida del humo (chimenea) del equipo quemador de combustible — evitando así el contratiro — es necesario disponer de aire suficiente. Siga las directrices del fabricante del equipo de material térmico y las normas de seguridad, como las que publica la NFPA (asociación de protección contra los incendios) y la ASHRAE (sociedad estadounidense de técnicos de calefacción, refrigeración y aire acondicionado) así como los códigos de los organismos responsables locales.
- Al cortar o perforar la pared o el techo, procure no dañar el cableado eléctrico ni otras instalaciones de servicios públicos.
- Los ventiladores entubados siempre deben tener salida al exterior.
- No use esta unidad con ningún otro control de velocidad de estado sólido.
- Para reducir el riesgo de incendio, utilice sólo tuberías metálicas.
- Este aparato debe conectarse a tierra.
- Se recomienda llevar gafas de seguridad y guantes de protección cuando instale, mantenga o repare este aparato.
- Cuando una reglamentación local esta en vigor y conlleva exigencias de instalación y/o de certificación mas estrictas, susodichas exigencias prevalecen sobre aquellas en este documento y el instalador acepta someterse a estas exigencias a sus gastos.

⚠️ ADVERTENCIA



PARA REDUCIR EL RIESGO DE QUE ARDA LA GRASA EN LA PARTE SUPERIOR DE LA COCINA:

- No deje nunca recipientes de cocina a fuego vivo sin vigilancia. Los desbordamientos producen humo y derrames grasientos que pueden inflamarse. Caliente el aceite despacio, a fuego lento o mediano.
- Ponga en marcha siempre la campana extractora al cocinar a temperaturas elevadas o al cocinar alimentos flameados (crepas Suzette, cerezas jubilee, res con pimienta flambeada).
- Limpie el ventilador con frecuencia. No deje que la grasa se acumule en el ventilador, ni en los filtros o en los conductos de evacuación.
- Utilice cacerolas de tamaño apropiado. Emplee siempre un recipiente adecuado para el tamaño de la placa.

PARA REDUCIR EL RIESGO DE LESIONES CORPORALES EN EL CASO DE QUE ARDA LA GRASA EN LA PARTE SUPERIOR DE LA COCINA, SIGA ESTAS INDICACIONES*:

- SOFOQUE LAS LLAMAS con una tapa ajustada, una hoja o bandeja metálica para hornear galletas, y apague luego el quemador. **TENGA CUIDADO PARA EVITAR QUEMADURAS. SI LAS LLAMAS NO SE APAGAN INMEDIATAMENTE, EVACUE EL LUGAR Y LLAME A LOS BOMBEROS.**
- NO SUJETE NUNCA UNA SARTÉN EN LLAMAS ya que podría quemarse.
- NO USE AGUA, ni trapos húmedos. Podría causar una violenta explosión de vapor.
- Utilice un extintor **SOLAMENTE** si:
 - Tiene un extintor de tipo ABC y sabe usarlo.
 - El incendio es pequeño y está circunscrito a la zona donde empezó.
 - Ya ha llamado a los bomberos.
 - Puede tratar de apagar el fuego si dispone siempre de una salida detrás de usted.

* Fuente: "Kitchen Fire Safety Tips" publicado por la NFPA.

⚠️ PRECAUCIÓN



- Sólo para una utilización en el interior.
- Para reducir los riesgos de incendio y extraer el aire debidamente, el aire debe evacuarse fuera. No extraiga el aire a espacios situados entre las paredes, en el techo o en el desván, falso techo o garaje.
- Utilice los agentes limpiadores o detergentes con prudencia.
- Evite el uso de alimentos que pueden inflamarse, debajo de la campana.
- Sólo para ventilación general. No debe utilizarse para extraer materiales o vapores peligrosos o explosivos.
- Para evitar daños en el cojinete del motor y que la hélice haga ruido o se desequilibre, mantenga la unidad de alimentación lejos de los vaporizadores de pirca, del polvo de la construcción, etc.
- El motor de la campana tiene un dispositivo contra sobrecargas térmicas que apaga el motor automáticamente si éste se sobrecalienta. El motor volverá a ponerse en marcha cuando se enfríe. Si el motor sigue apagándose, haga examinar el motor.
- Para lograr una mejor captura de las impurezas producidas al cocinar, la parte inferior de la campana deberá estar A UN MÍNIMO de 24" y un máximo de 30" sobre el nivel la superficie para cocina.
- Use solamente con juegos de cable para campana investigados y considerados aceptables para uso con este modelo de campana.
- Para mayor información y conocer los requisitos, lea la etiqueta con las especificaciones en el producto.

HERRAMIENTAS Y ACCESORIOS RECOMENDADOS

- Cinta métrica
- Destornillador Phillips n.º 2
- Llave de tuercas o douille 3/8"
- Destornillador de punta plana (para abrir los orificios punzonados)
- Sierra (para cortar orificios en los gabinetes)
- Cizalla
- Alicates
- Cinta adhesiva metálica
- Tijeras (para cortar la cinta adhesiva metálica)
- Lápiz
- Pelacables
- 2 abrazaderas de cables diámetro de 7/8 pulg.
- 8 capuchones de conexión de hilos adecuados
- Cable 14/3 (que resistan una temperatura de al menos 90° C (194° F))
- Cable 14/2 (que resistan una temperatura de al menos 90° C (194° F))
- Recubrimiento de gabinete (opcional)

CONTENIDO

Antes de empezar la instalación, verifique el contenido de la caja. Si faltan elementos o hay elementos dañados, póngase en contacto con el fabricante.

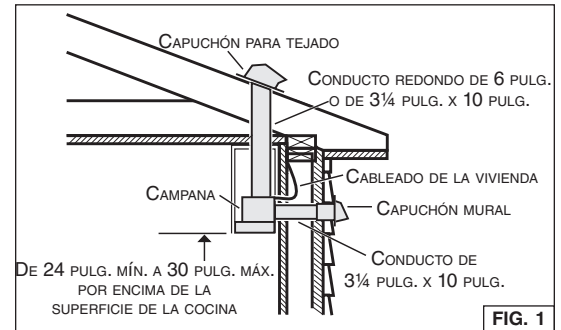
Compruebe que estén en:



INSTALACIÓN DE LOS CONDUCTOS (INSTALACIONES CON CONDUCTOS ÚNICAMENTE)

NOTA: Para reducir el riesgo de incendio, usar sólo conductos de metal.

1. Decida por dónde pasarán los conductos entre la campana y el exterior (FIG. 1).
2. Los conductos desde este ventilador hacia el exterior del edificio tienen un gran efecto sobre el flujo de aire, el ruido y el uso de energía del ventilador. Utilice el tramo de conductos más corto y recto posible para obtener un desempeño óptimo y evite instalar el ventilador con conductos menores que los recomendados. El aislamiento alrededor de los conductos puede reducir la pérdida de energía e inhibir el desarrollo de moho. Los ventiladores instalados en conductos existentes podrían no obtener el flujo de aire nominal. Consultar las tablas en la hoja incuida como referencia para la planificación de la instalación la más eficaz.
3. Instale un capuchón para tejado o mural (se venden por separado). Conecte el conducto metálico al capuchón y vuelva al lugar donde se encuentra la campana. Use cinta adhesiva metálica de 2 pulg. para sellar las juntas entre los tramos de los conductos.



LARGOS MAXIMALES RECOMANDADOS DE CONDUCTO PARA CONSEGUIR UN RENDIMIENTO DE 80% DE EVACUACIÓN DE AIRE

LARGO MÁXIMO DE CONDUCTO DE 3 1/4" x 10", HORIZONTAL	LARGO MÁXIMO DE CONDUCTO DE 3 1/4" x 10", VERTICAL	LARGO MÁXIMO DE CONDUCTO DE 6" DE DIÁMETRO	TAPA DE TECHO Ó DE PARED CON REGULADOR DE TIRO	CODO(S)* DE (90° Y/Ó 45°)
52 pies	83 pies	64 pies	1	0
43 pies	74 pies	55 pies	1	1
35 pies	66 pies	46 pies	1	2

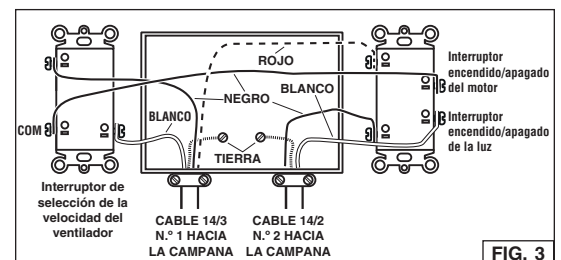
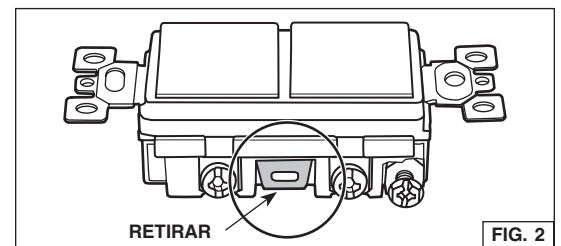
* Codos estandarés con radio interno de 1 pulgada.

INSTALACIÓN DE LOS INTERRUPTORES EN LA PARED

ATENCIÓN

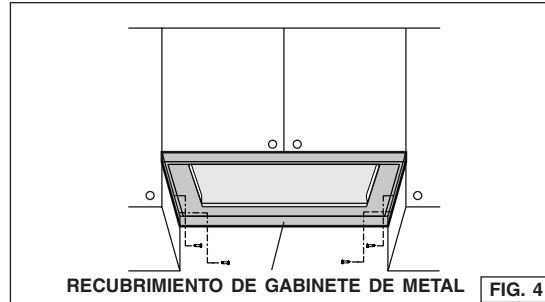
Utilice solamente los interruptores incluidos. Utilice sólo hilos que resistan una temperatura de al menos 90°C (194°F).

1. Desembale los interruptores de pared de la caja. Usando unos alicates, retire la pequeña lengüeta en el interruptor doble (rodeada en FIG. 2).
2. Instale los dos interruptores basculantes en un lugar práctico para el usuario. Use un cable 14/3 y un cable 14/2 para conectar los interruptores a la campana (FIG. 3).



RECUBRIMIENTO DE GABINETE OPCIONAL

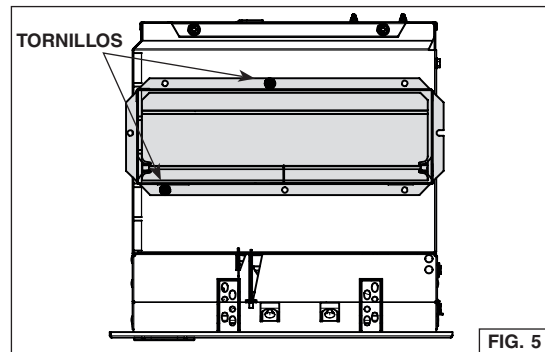
En las instalaciones donde la PMA400SS se ubica a menos de 30 pulg. por encima de la superficie de la cocina, la campana empotrable debería instalarse con un recubrimiento de gabinete de metal (FIG. 2) para proteger del calor los materiales combustibles del gabinete, a fin de cumplir los requisitos de los códigos de construcción. Esta medida de precaución facilitará la limpieza y protegerá el gabinete. Consulte la tabla a la derecha para encontrar el modelo de recubrimiento correspondiente con la anchura y el estilo del gabinete. Visite el www.broan-nutone.com o el www.broan-nutone.ca para mayor información sobre estos modelos.



MODELO DE RECUBRIMIENTO	ANCHURA NOMINAL DEL GABINETE
LB30SS	30 pulg.
LB36SS	36 pulg.

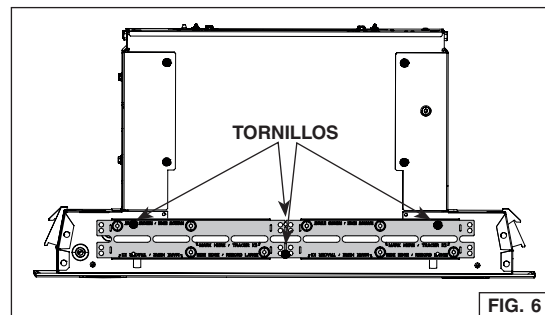
RETIRADA DEL ADAPTADOR/COMPUERTA

Aparte y ponga a un lado el adaptador/compuerta de 3¼ pulg. x 10 pulg. (en gris en FIG. 5) del lado de la campana empotrable retirando los dos tornillos de sujeción. Agote los tornillos.

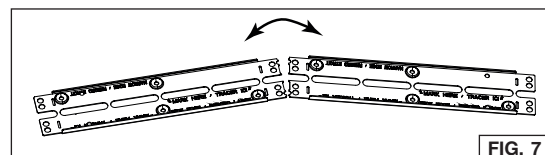


RETIRADA DE LOS SOPORTES DE GABINETE

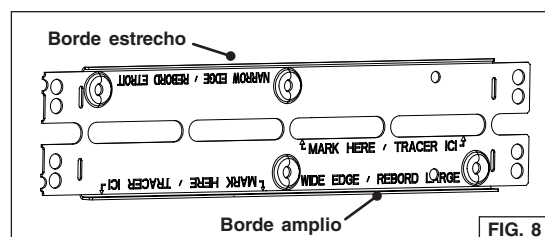
Aparte los soportes de gabinete (en gris en FIG. 6) de la parte trasera de la campana empotrable retirando los cuatro tornillos de sujeción. Agote los tornillos.



Doble los soportes hacia arriba y hacia abajo hasta que se separen el uno del otro (FIG. 7). Guarde los soportes por un uso eventual.



NOTA: Los dos soportes de gabinete tienen un borde amplio y un borde estrecho (FIG. 8), para cubrir todas las configuraciones de instalación, según las anchuras de gabinete.



PREPARACIÓN DEL GABINETE

⚠ ADVERTENCIA

El gabinete debe fijarse a los montantes murales o a otra estructura de madera situada detrás de la pared. Asegúrese de que pueda soportar el peso de la campana empotrable. De no ser así, podrían producirse lesiones personales o daños en la parte superior de la encimera o de la cocina.

NOTAS: A. La campana debe instalarse en el gabinete. Cuando se instala con un recubrimiento de gabinete opcional, use el recubrimiento como plantilla para cortar el orificio en la base del gabinete.

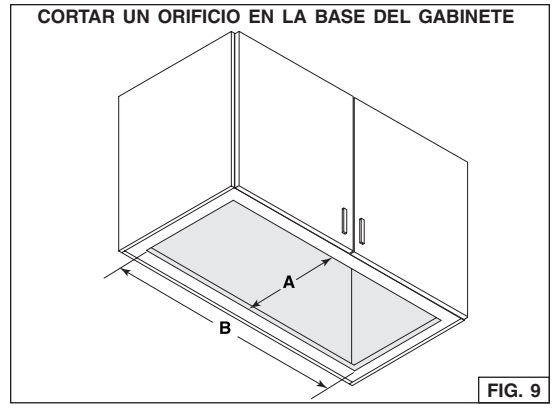
B. La campana debe instalarse centrada lateralmente, por encima de la superficie de la cocina.

C. Para la posición trasera hacia delantera, el aparato debe instalarse conforme a los códigos de construcción locales.

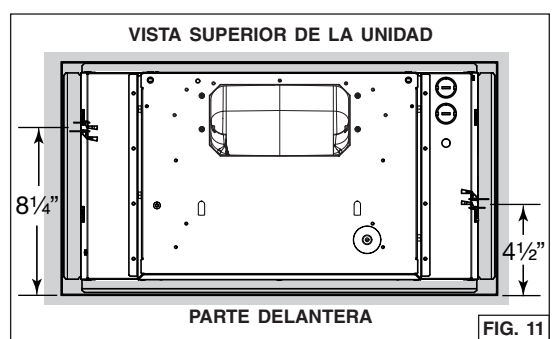
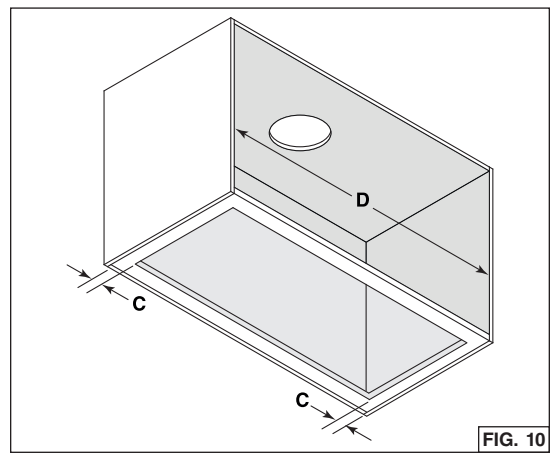
1. Cortar un orificio en la base del gabinete con las dimensiones indicadas (FIG. 9) o usar el recubrimiento de gabinete como plantilla.
2. Cuando es necesario, instalar el recubrimiento del gabinete.
3. Ver la FIG. 10. Medir el material restante en los lados de la base del gabinete (C), si hay 1/4 pulg. o más en material, no hace falta usar los soportes fijos suministrados. Pase al paso 8 en la página 10.
4. Si hay menos que 1/4 pulg. en material (C), retirar cuidadosamente estas cintas. Medir la anchura interior del gabinete (D) (FIG. 10). Consultar la tabla siguiente para determinar qué configuración de bordes de soporte debe utilizarse.

BORDE ESTRECHO	BORDE AMPLIO
D	D
De 19-9/16 pulg. a < 20 pulg.	De 20 pulg. a 20-1/2 pulg.

5. Prestar atención a la ubicación de los ganchos Ease of Install en la unidad (distancia desde la parte delantera de la brida en FIG. 11). Medir y marcar la ubicación de los ganchos Ease of Install (correspondiente a E en FIG. 12 en la página siguiente) en ambos lados del gabinete.



A = 10¹/₄ pulg.
B = 19⁹/₁₆ pulg.



PREPARACIÓN DEL GABINETE (CONT.)

6. Instale los soportes de gabinete como sigue (FIG. 12):
- 1 Coloque el soporte a ras con la parte inferior del panel derecho del gabinete, centrando la marca de la ubicación de los ganchos (E) entre los orificios inferiores en relieve. Para la configuración del borde estrecho, trace una línea encima del soporte. Para la configuración del borde amplio, rase una línea a la base de las ranuras centrales.
 - 2 Instale el soporte a ras con la línea trazada. Sujete el soporte al panel de lado del gabinete usando 2 tornillos para madera n° 8 x 5/8 pulg. (incluidos en la bolsa de piezas) en los orificios superiores.
- NOTA: No usar los orificios en relieve para sujetar el soporte.
- 3 Repetir los pasos 1 y 2 para el panel izquierdo.

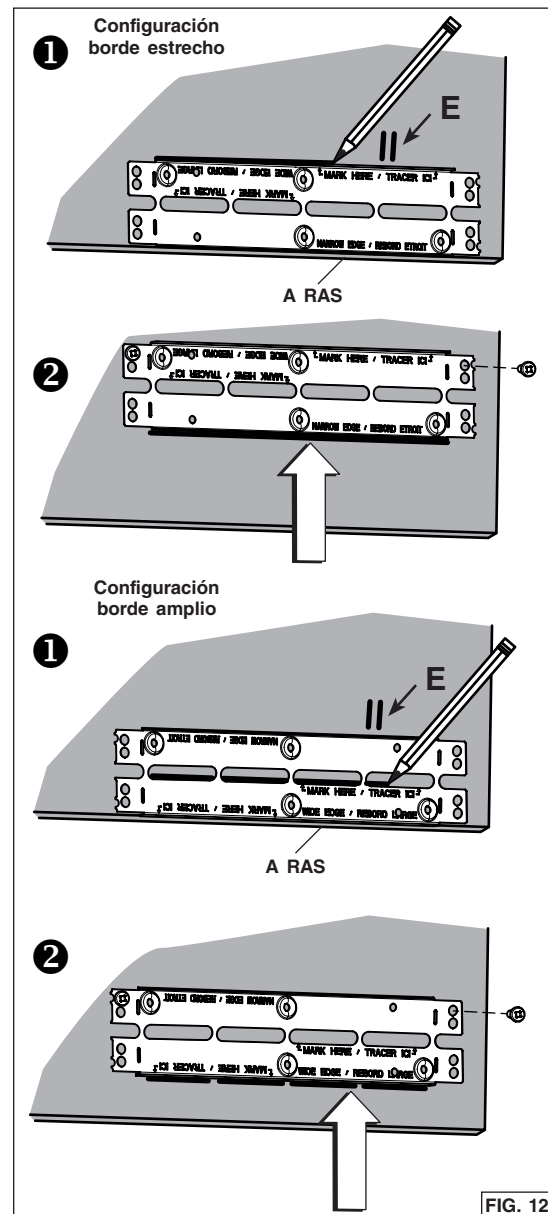


FIG. 12

PREPARACIÓN DEL GABINETE (CONT)

7. Medir la distancia entre ambos bordes inferiores de los soportes (F) (FIG. 13). La tabla siguiente indica la distancia adecuada.

BORDE ESTRECHO	BORDE AMPLIO
F	F
De 19-3/8 pulg. a < 19-9/16 pulg.	De 19-9/16 pulg. a 19-13/16 pulg.

Si la distancia medida debe acortarse, atornille dos tornillos no. 8-32 x 1/4 pulg. en cada orificio en relieve inferiores de los soportes del gabinete; esto doblará ligeramente la parte inferior de los soportes (FIG. 14). Atornille ambos soportes para obtener la distancia adecuada.

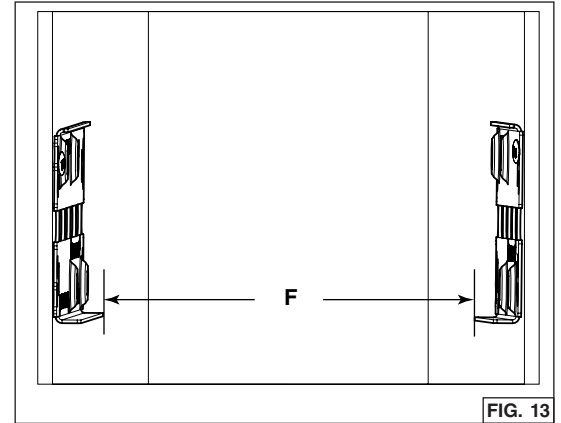


FIG. 13

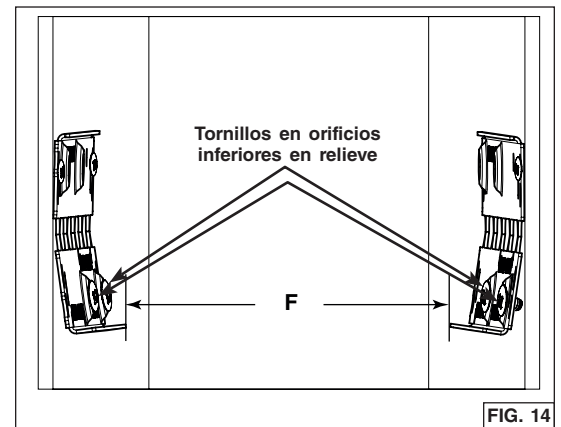


FIG. 14

INSTALACIÓN CON SALIDA HORIZONTAL SOLAMENTE

Esta campana empotrable se entrega de fábrica con una evacuación vertical; sin embargo, es posible cambiar por una evacuación horizontal (conducto de 3¼ pulg. x 10 pulg. solamente).

8. Corte el orificio para la salida horizontal a través de la pared trasera del gabinete usando las dimensiones indicadas. (FIG. 15).

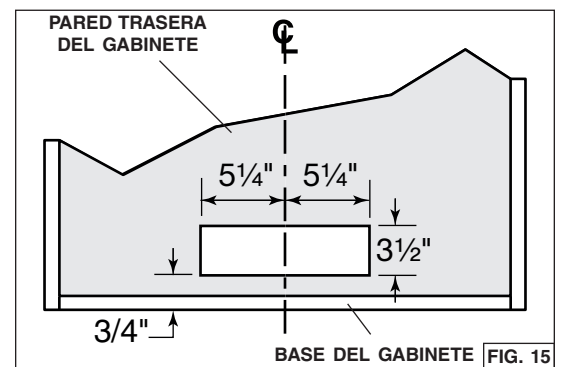


FIG. 15

PREPARACIÓN DEL APARATO

TODAS LAS INSTALACIONES

1. De haberla, retire de la campana y de todas las piezas la película protectora.
2. Use la pestaña para retirar de la campana el filtro de grasa empujando hacia abajo e inclinando el filtro hacia fuera (FIG. 16). Poner el filtro a un lado.

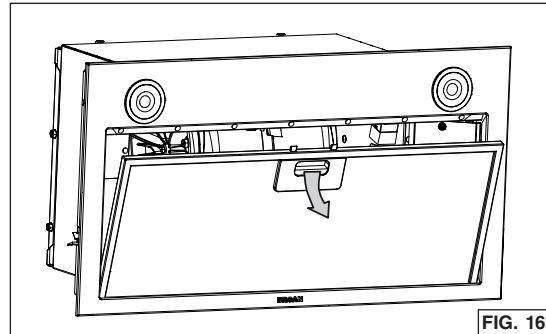


FIG. 16

3. Quite la tapa del compartimento eléctrico (en gris en FIG. 17) en el interior del aparato retirando su tornillo de sujeción. Retire la bolsa de piezas detrás de la tapa. Poner la bolsa de piezas, la tapa y el tornillo de sujeción a un lado.

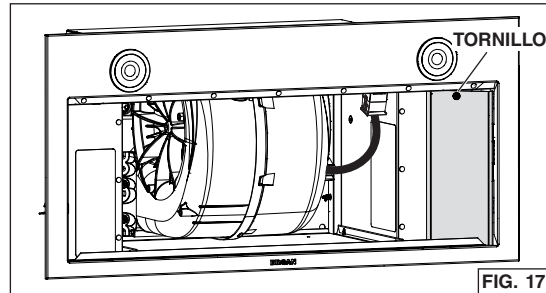


FIG. 17

4. Perfore los **dos** orificios punzonados. Instale una abrazadera de cables de un diámetro de 7/8 pulg. (no incluida, en gris en FIG. 18) en cada agujero.

NOTA: Se puede usar el juego de cable para campana HCK44 (opcional) al lugar del cable de alimentación de la vivienda. Ver las instrucciones incluidas con el juego de cable para campana HCK44.

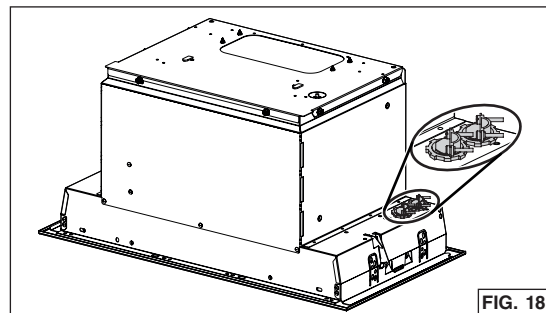


FIG. 18

INSTALACIÓN CON SALIDA HORIZONTAL SOLAMENTE

5. Desenchufe el cable del ventilador de su conector en el panel frontal. Quite el panel frontal del aparato retirando los 4 tornillos de sujeción (dos por lado, rodeados en la FIG. 19). Poner el panel frontal y los tornillos a un lado.

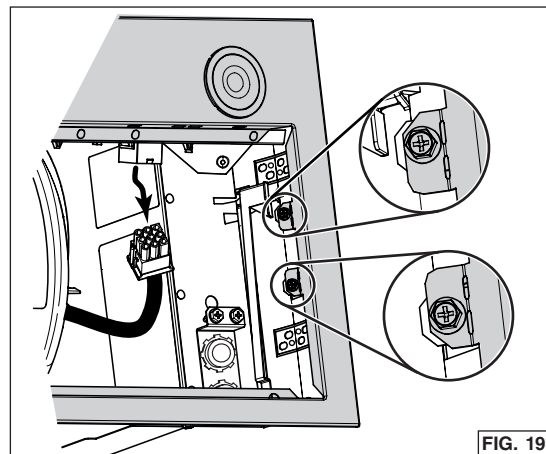


FIG. 19

6. Quite los 6 tornillos (2 en la parte delantera y 2 por lado) manteniendo esta placa a la parte superior del aparato (FIG. 20). Levante cuidadosamente el ventilador y la placa de soporte y póngalos a un lado. El ventilador luego se reinstalará en el aparato.

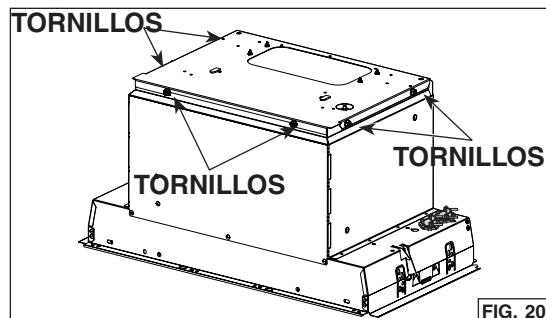
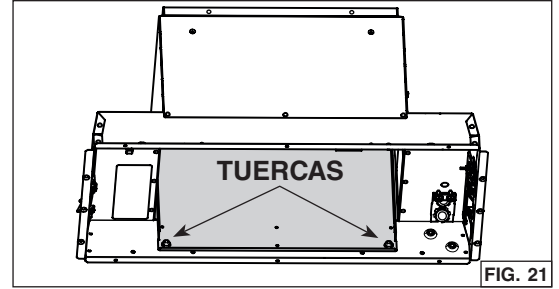


FIG. 20

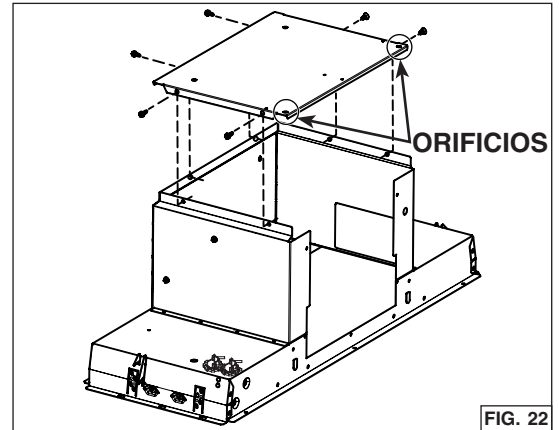
PREPARACIÓN DEL APARATO (CONT.)

INSTALACIÓN CON SALIDA HORIZONTAL SOLAMENTE (CONT.)

7. Desde el interior del aparato, retire la placa trasera (en gris en FIG. 21) retirando las 2 tuercas usando un casquillo de 3/8 pulg. de diámetro. Poner las tuercas y la placa a un lado.



8. Instale la placa trasera en la parte superior del aparato, donde estaba la placa de soporte del ventilador. Los orificios cerca de las esquinas deben encontrarse en la parte trasera del aparato. Sujétarla a la parte superior del aparato usando los 6 tornillos retirados previamente al paso 6 (FIG. 22).



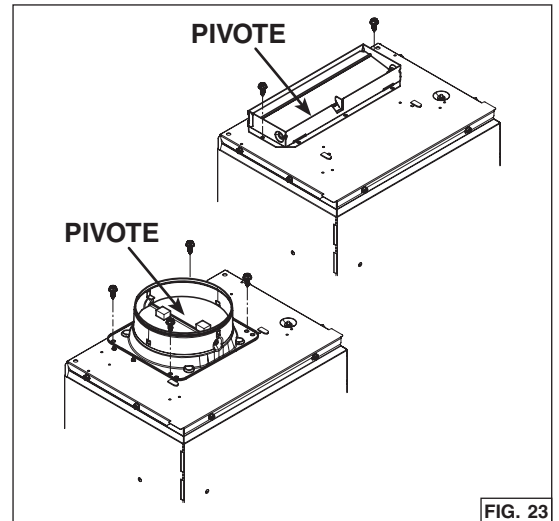
INSTALACIÓN CON SALIDA VERTICAL SOLAMENTE

9. Para un conducto rectangular, use 2 tornillos para metales n.º 8-18 x 1/4 pulg. (incluidos) para fijar el adaptador/compuerta de 3¼ pulg. x 10 pulg. (incluido) en la parte superior del aparato, sobre el orificio de salida del ventilador (FIG. 23).

NOTA: El pivote de la compuerta debe encontrarse hacia la parte delantera del aparato.

Para un conducto redondo, use 4 tornillos para metales n.º 8-18 x 1/4 pulg. (incluidos) para fijar el adaptador/compuerta de 6 pulg. redondo (incluido) en la parte superior del aparato, sobre el orificio de salida del ventilador (FIG. 23).

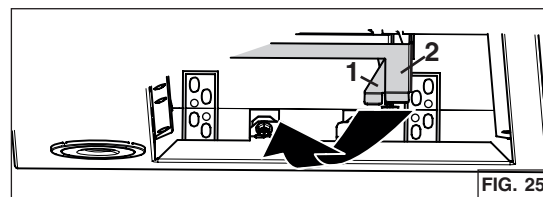
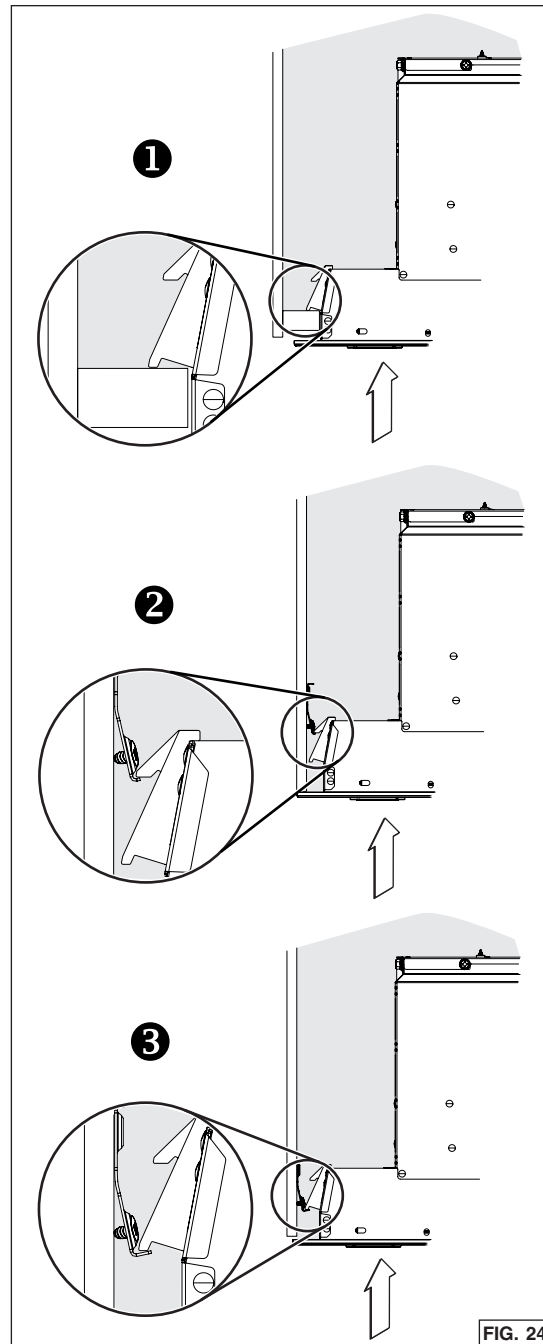
NOTA: El pivote de la compuerta debe ser paralela a los lados de la campana.



INSTALACIÓN DEL APARATO

1. Encaminar el cable de alimentación del panel de distribución hasta la ubicación del aparato. Prever una longitud de 2 pies en el gabinete. Pasar el cable de alimentación en la campana a través de la abrazadera de cables de un diámetro de 7/8 pulg. previamente instalada.
 NOTA: No necesario si el juego de cable para campana HCK44 se utiliza.
2. Encaminar el cable de 14/2 y el cable de 14/3 procedente de los interruptores. Prever una longitud de 2 pies en el gabinete. Inserte los cables en la campana a través de la otra abrazadera de cables de un diámetro de 7/8 pulg. previamente instalada.
3. Insertar el aparato en el gabinete hasta que sentir un click a ambos lados del aparato, confirmando que los ganchos Ease of Install están apoyando en la parte superior de los lados de la base del gabinete ❶, o sobre los bordes de los soportes de gabinete ❷ o ❸ (FIG. 24). Mover el aparato de izquierda a derecha, de delante hacia atrás y levantarlo para comprobar que los ganchos Ease of Install retienen el aparato en el gabinete.

NOTA: El aparato excederá un poco el gabinete hasta que se enrosque en el gabinete.



NOTA: En el caso de que, por cualquier motivo, se debe retirar el aparato del gabinete, es posible desbloquear los ganchos Ease of Install. Para hacerlo: mantener la campana y empujar en uno de los lados, levantar simultáneamente ambos palancas de los ganchos Ease of Install (1 y 2, en gris en la FIG. 25) del otro lado de la campana hasta que los ganchos estén desbloqueados.

INSTALACIÓN DEL APARATO (CONT.)

- Levantar la campana hasta que su borde quede en la base del gabinete. Sujetar la campana al gabinete usando 4 tornillos para madera n.º 8 x 5/8 pulg. incluidos en la bolsa de piezas (2 tornillos a cada lado). Usar los orificios superiores o inferiores (1, 2, 3, 4, 5 o 6) (FIG. 26).

⚠ ADVERTENCIA

Los ganchos Ease of Install retienen la campana TEMPORALMENTE. SE DEBE fijar la campana al gabinete con los 4 tornillos.

⚠ ADVERTENCIA

Nunca utilizar este aparato como estante, repisa o anaquel.

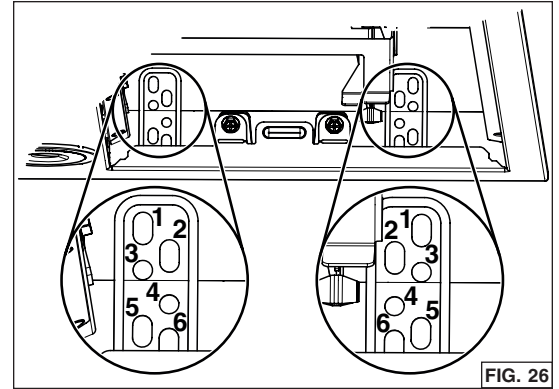


FIG. 26

INSTALACIÓN CON SALIDA HORIZONTAL SOLAMENTE

- Desde el interior de la campana, deslice el adaptador/compuerta de 3¼ pulg. x 10 pulg. en el conducto horizontal, después fijarlo a la campana usando cinta adhesiva metálica para sellar la junta (FIG. 27). Asegúrese de que la compuerta abra como se muestra en la vista lateral de la compuerta.

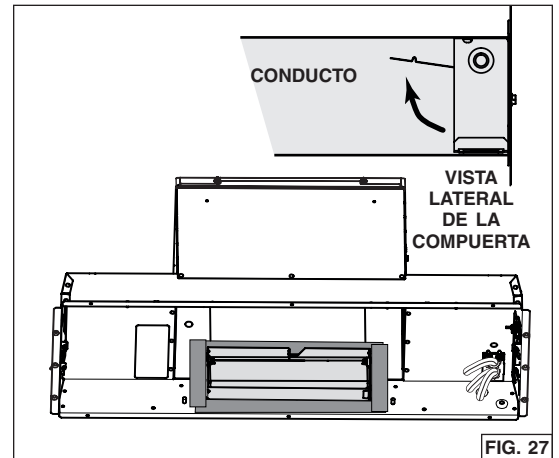


FIG. 27

- Inserte el ventilador y su placa al interior de la campana, donde estaba la placa trasera (A). Fije la placa a la campana usando las 2 tuercas retiradas previamente al paso 7 en la página 12 (B) (FIG. 28).

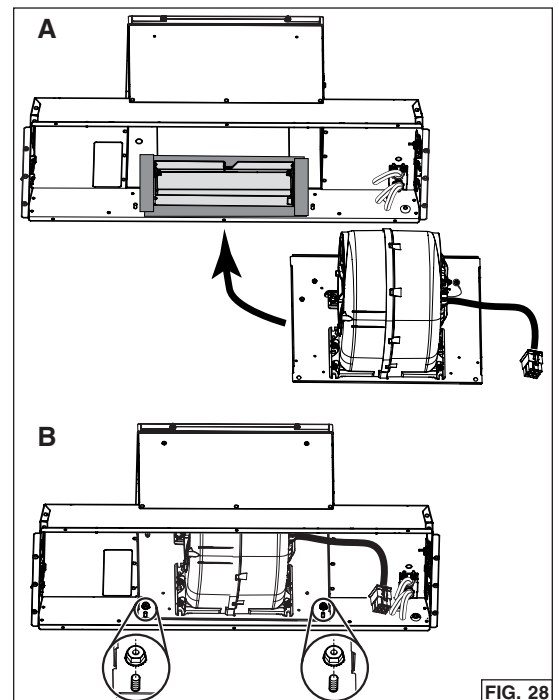
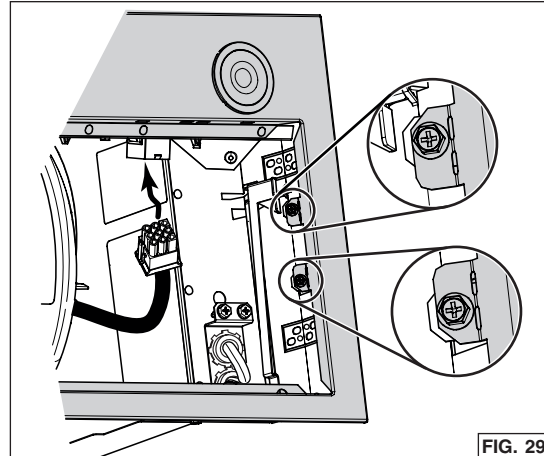


FIG. 28

INSTALACIÓN DEL APARATO (CONT.)

INSTALACIÓN CON SALIDA HORIZONTAL SOLAMENTE (CONT.)

7. Vuelva a instalar y fije el panel frontal a la campana usando los 4 tornillos de sujeción (dos por lado, rodeados en la FIG. 29). Enchufe el cable del ventilador a su conector en el panel frontal (FIG. 29).



CONEXIÓN DEL CONDUCTO

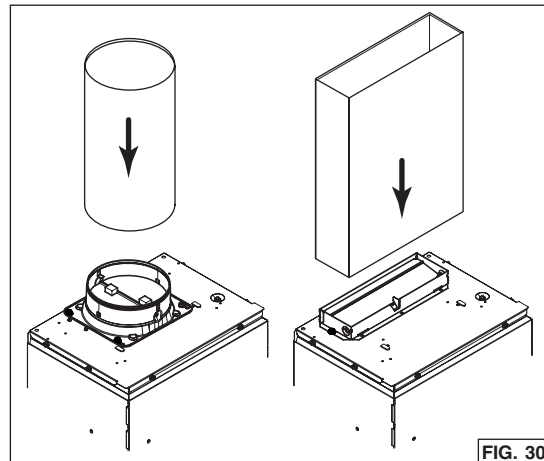
INSTALACIÓN CON SALIDA VERTICAL SOLAMENTE

Instalación con conducto

Use un conducto de metal redondo de 6 pulg. o de 3¼ pulg. x 10 pulg. para conectar el adaptador/compuerta en la parte superior de la campana al red de conductos (FIG. 30). Utilice cinta adhesiva metálica para sellar la junta.

Instalación en recirculación

Se necesita un kit de recirculación para este tipo de instalación (se vende por separado, modelo número HARKPM21). Para instalarlo, seguir las instrucciones incluidas con el kit.



CONEXIÓN ELÉCTRICA

⚠ ADVERTENCIA

Peligro de choque eléctrico. La instalación eléctrica debe ser hecha por personal calificado de acuerdo con todos los códigos aplicables y normas. Antes de efectuar el empalme, cortar la alimentación eléctrica del interruptor y cerrar con seguridad para prevenir una alimentación accidental.

NOTAS: 1. Use los capuchones de conexión de hilos adecuados (no incluidos) para todas las conexiones.

2. Vease la FIG. 31 para las conexiones.

1. Conecte el hilo VERDE o pelado del cable de alimentación a uno tornillo VERDE de toma de tierra de la campana (①).
2. Conecte los hilos **del cable de alimentación** a los hilos de la campana: el hilo NEGRO al hilo NEGRO (②) y el hilo BLANCO al hilo BLANCO (③).
3. Conecte los hilos **del cable n.º 2 14/2** a los hilos de la campana: el hilo NEGRO al hilo CAFÉ (④) y el hilo BLANCO al hilo AZUL (⑤).
4. Mediante un hilo corto de toma a tierra (no incluido), conecte los hilos VERDE o pelado de los cables n.º 1 y n.º 2 al otro tornillo VERDE de toma de tierra de la campana (⑥).
5. Conecte los hilos **del cable n.º 1 14/3** a los hilos de la campana: el hilo ROJO al hilo ROJO (⑦), el hilo NEGRO al hilo NARANJA (⑧) y el hilo BLANCO al hilo VIOLETA (⑨).
6. Vuelva a colocar la tapa del compartimiento eléctrico; asegúrese de que las pestañas de la parte inferior estén insertadas en su ubicación sobreelevada. Sujétarla a la campana usando su tornillo de sujeción (FIG. 32).

NOTA: No se muestran todos los hilos.

ATENCIÓN

Asegúrese de no atascar ningún hilo al volver a colocar la tapa del compartimiento eléctrico.

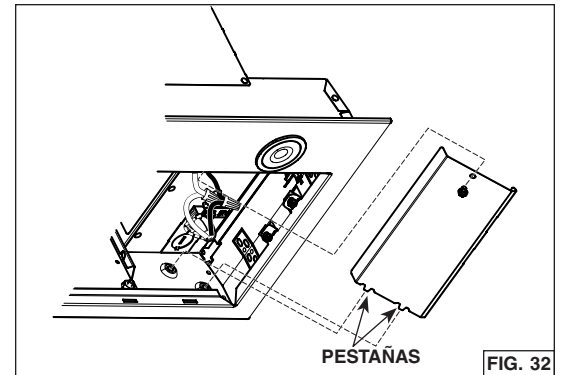
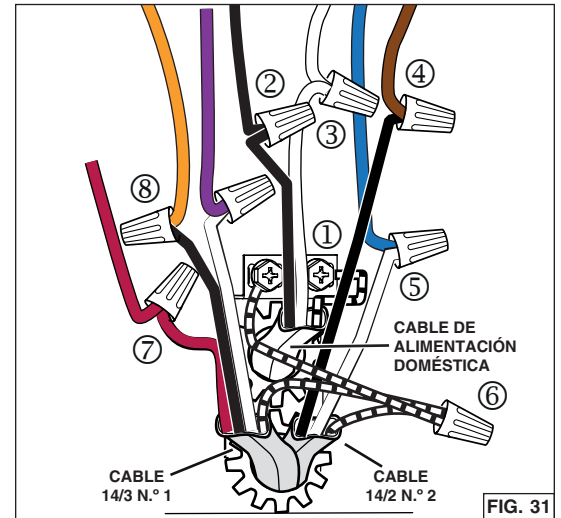
INSTALACIÓN DEL FILTRO

Instalación con conductos

Vuelva a colocar el filtro de grasa.

Instalación en recirculación

Ate el filtro de recirculación (incluido con el kit HARKPM21) al reverso del filtro de grasa usando los clips de sujeción (incluidos con el filtro de recirculación). Ordene el número de pieza S99010464 para obtener un nuevo filtro de recirculación.



FUNCIONAMIENTO

A: Interruptor de selección de la velocidad del ventilador:

Este interruptor basculante de tres vías controla la velocidad del ventilador.

Posición alta: alta velocidad.

Posición baja: baja velocidad.

B: Interruptor ENCENDIDO/APAGADO del ventilador:

Este interruptor basculante enciende y apaga el ventilador.

Posición izquierda: APAGADO.

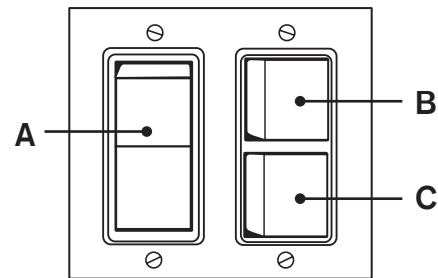
Posición derecha: ENCENDIDO.

C: Interruptor ENCENDIDO/APAGADO de la luz:

Este interruptor basculante enciende y apaga las luces LED.

Posición izquierda: APAGADO.

Posición derecha: ENCENDIDO.



HEAT SENTRY™

Esta campana está equipada con un termostato Heat Sentry™. Este dispositivo pone en marcha el ventilador cuando detecta un calor excesivo por encima de la superficie sobre la que se cocina.

- 1) Si el ventilador está apagado, se pondrá en marcha en velocidad ALTA.
- 2) Si el ventilador ya está funcionando en velocidad baja o media, la velocidad cambiará en velocidad ALTA.

Cuando la temperatura baje a un nivel normal, el ventilador volverá a su configuración original.

⚠ ADVERTENCIA

El termostato HEAT SENTRY puede poner en marcha el ventilador si la campana está apagada. En tal caso, es imposible apagar el ventilador con el interruptor. Si es necesario apagar el ventilador, coloque el interruptor principal que se encuentra detrás de los filtros, del lado interno del panel frontal de la campana, en posición APAGADO (si es posible hacerlo de manera segura). Ver el medallón en FIG. 33.

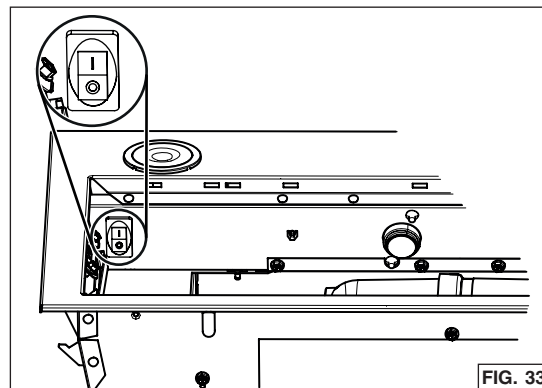


FIG. 33

MANTENIMIENTO

SIEMPRE DESCONECTE LA FUENTE DE ALIMENTACIÓN ANTES DE REALIZAR CUALQUIER INTERVENCIÓN SOBRE ESTE APARATO.

Filtro de grasa

El filtro debe limpiarse con frecuencia. Utilice una solución de detergente con agua templada. El filtro puede lavarse en el lavavajillas.

Limpe el filtro en el lavavajillas con un detergente sin fosfato. El filtro podría descolorarse si se utiliza un detergente con fosfato o debido al tipo de agua, pero esto no afecta su funcionamiento. Este descoloramiento no está cubierto por la garantía. A fin de reducir al mínimo o prevenir la descoloración, lave el filtro a mano con un detergente suave.

Filtro de recirculación

El filtro de recirculación debería cambiarse cada 3 a 6 meses. Sustituirlo con mayor frecuencia si su tipo de cocina genera más grasa, por ejemplo si fríe o cocina con wok.

LIMPIEZA DEL ACERO INOXIDABLE

A hacer:

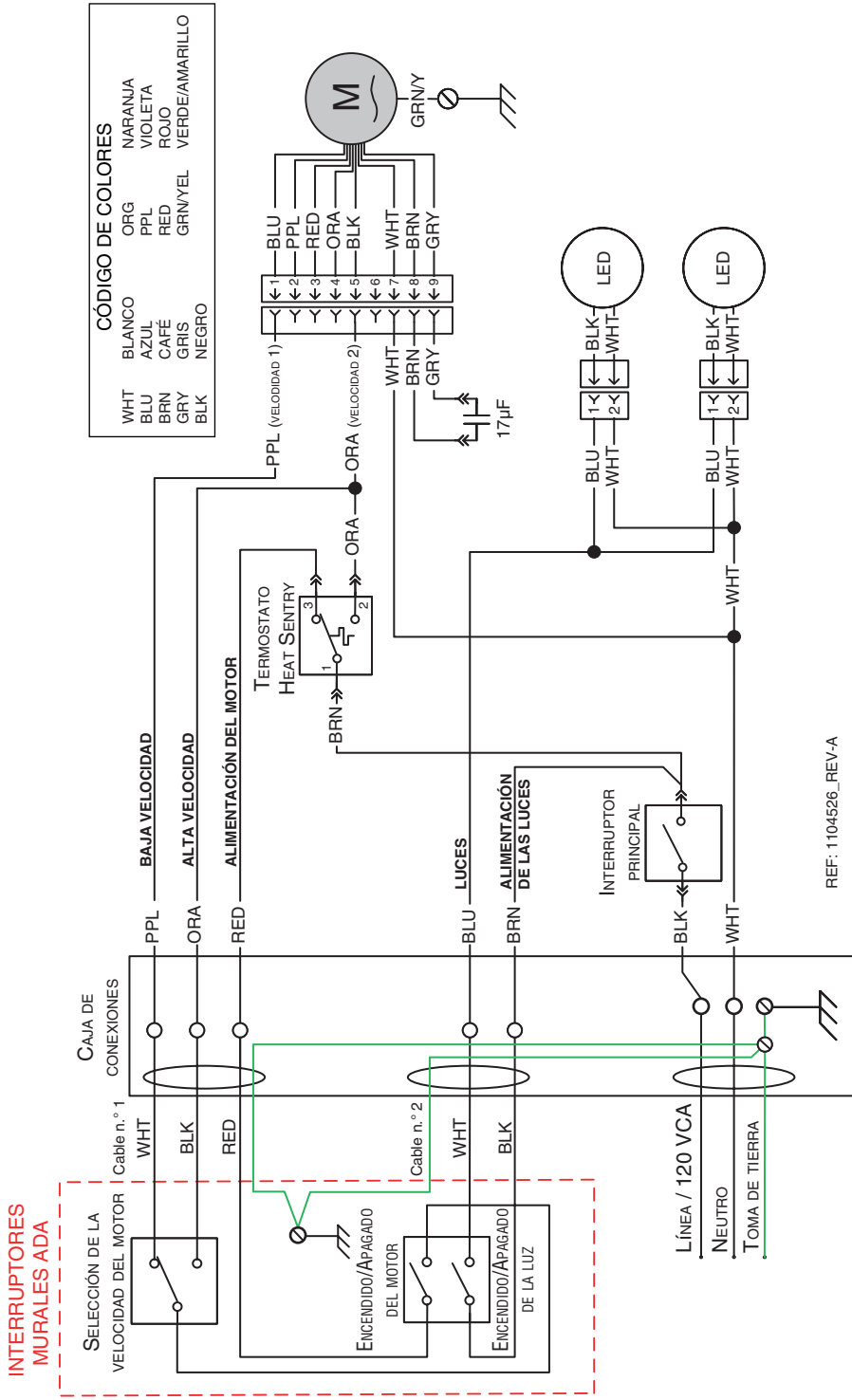
- Lávelo regularmente con un trapo limpio empapado con una disolución de agua tibia y jabón suave o detergente para lavar vajillas.
- Limpie siempre en la dirección de las líneas de pulido.
- Enjuague siempre bien con agua limpia (2 o 3 veces) después de limpiar. Séquelo completamente.
- También puede usar un producto limpiador doméstico para acero inoxidable.

A no hacer:

- Usar lana de acero o de acero inoxidable o un rascador para quitar la suciedad más incrustada.
- Usar productos limpiadores agresivos o abrasivos.
- Dejar que se acumule la suciedad.
- Permitir que el polvo de yeso u otros residuos de construcción entren en contacto con la campana. Durante los trabajos de construcción o renovación, cubra la campana para evitar que el polvo se adhiera a las superficies de acero inoxidable.

Al elegir un detergente, evite:

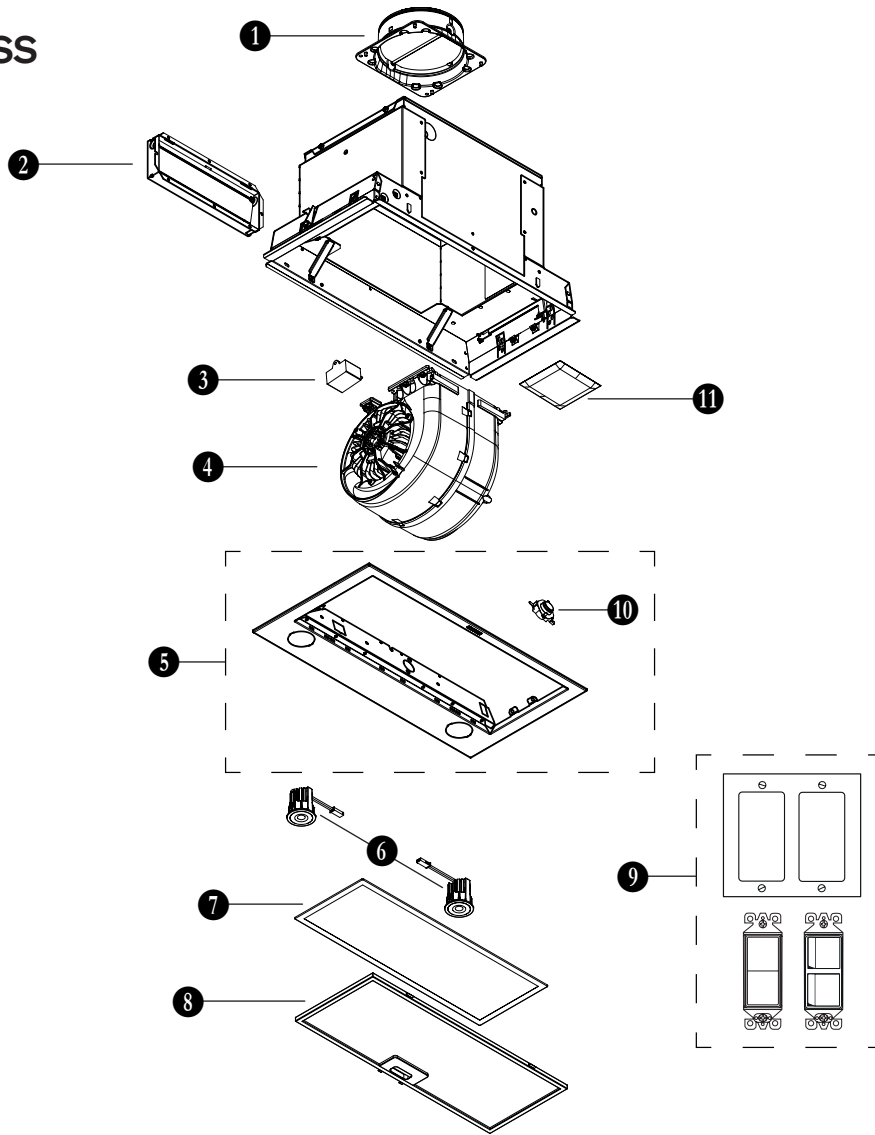
- Los productos limpiadores que contengan blanqueador (lejía) ya que dañarán el acero inoxidable.
- Los productos que contengan: **cloruro, fluoruro, yoduro, bromuro**, ya que deteriorarán las superficies rápidamente.
- Los productos combustibles que se usan para limpiar, tales como **acetona, alcohol, éter, benzol**, etc., ya que son muy explosivos y no deberían usarse nunca cerca de una cocina.



INSTRUCCIONES DE INSTALACIÓN, USO Y CUIDADO

DIAGRAMA DE CABLEADO

PMA400SS



N.º	N.º DE PIEZA	DESCRIPCIÓN	CANT.
1	SV08487	ADAPTADOR/COMPUERTA 6 PULG. REDONDO	1
2	SR740014	ADAPTADOR/COMPUERTA 3¼ pulg. x 10 pulg.	1
3	S99271702	CONDENSADOR 17 µF	1
4	S97021510	VENTILADOR 400 PI³/MIN	1
5	S98012198-807	PANEL FRONTAL (INCLUYE N.º 10)	1
6	S99271693	CONJUNTO DE MÓDULO LED (PAR)	1
7	S99010464	FILTRO DE CARBÓN CON CLIPS (NO ILLUSTRADOS) (PARA INSTALACIÓN SIN CONDUCTO SOLAMENTE, INCLUIDO EN EL KIT DE RECIRCULACIÓN N.º HARKPM21)	1
8	S99010400	FILTRO DE GRASA CON MALLA FINA	1
9	HAWSK3	KIT ADA	1
10	S99030381	TERMOSTATO HEAT SENTRY	1
11	S1104978	BOLSA DE PIEZAS QUE INCLUYE : 4 TORNILLOS PARA METALES N.º 8-18 x 1/4 PULG., 8 TORNILLOS PARA MADERA N.º 8 x 5/8 PULG. DE CABEZA REDONDA, 4 TORNILLOS PARA METALES N.º 8-32 x 1/4 PULG.	1

Garantía limitada

Periodo y exclusiones de la garantía: Broan-NuTone LLC o Venmar Ventilation ULC (sea esta la "Compañía") garantiza al consumidor comprador original de su producto ("usted") que el producto (el "Producto") estará libre de defectos en materiales o en mano de obra, por un periodo de un (1) año a partir de la fecha de compra original (o por un periodo mayor según sea requerido por la legislación aplicable). En el caso de las campanas equipadas con módulos LED, la compañía garantiza que los módulos LED y el módulo de alimentación LED estarán libres de defectos en materiales por un periodo de tres (3) años. El periodo de garantía limitada para cualquier pieza de repuesto proporcionada por la compañía y para cualquier Producto reparado o reemplazado bajo esta garantía limitada debe ser lo que reste del periodo de garantía original (o por un periodo mayor según sea requerido por la legislación aplicable).

Esta garantía no cubre arrancadores de lámparas fluorescentes, tubos, bombillas de halógeno e incandescentes, fusibles, filtros, conductos, tapas de techo, tapas de pared ni otros accesorios que pudieran ser comprados por separado e instalados con el producto. Esta garantía tampoco cubre (a) mantenimiento y servicio normal, (b) uso y desgaste normal, (c) Productos o piezas sujetos a mal uso, abuso, uso anormal, negligencia, accidente, mantenimiento inadecuado o insuficiente, almacenamiento o reparación (que no sea reparación por parte de la Compañía), (d) daños causados por instalación defectuosa, o bien instalación o uso contrario a las recomendaciones o instrucciones, (e) cualquier Producto que se haya movido de su punto de instalación original, (f) daños ocasionados por el medio ambiente o los elementos naturales, (g) daños en tránsito, (h) desgaste natural del acabado, (i) Productos en uso comercial o no residencial, o (j) daños ocasionados por incendio, inundación u otro caso fortuito o (k) Productos con un número de serie alterado, removido o mutilado. Esta garantía cubre solamente Productos vendidos a clientes originales en los Estados Unidos y Canadá por la Compañía o a distribuidores de EE. UU. y Canadá autorizados por la Compañía.

Esta garantía sustituye todas las garantías anteriores y no es transferible del comprador consumidor original.

No hay otras garantías: Esta garantía limitada contiene la única obligación de la Compañía y su único recurso ante productos defectuosos. Las garantías anteriores son exclusivas y en lugar de cualquier otra garantía, expresa o implícita. **LA COMPAÑÍA NIEGA Y EXCLUYE CUALQUIER OTRA GARANTÍA EXPRESA, Y NIEGA Y EXCLUYE TODAS LAS GARANTÍAS IMPLÍCITAS, CONDICIONES Y ESTIPULACIONES IMPLÍCITAS POR LEY, INCLUYENDO, ENTRE OTRAS, LAS DE COMERCIALIZACIÓN Y APTITUD PARA UN PROPÓSITO EN PARTICULAR.** Hasta el grado en que la ley aplicable prohíba la exclusión de las garantías implícitas, condiciones y estipulaciones, la duración de cualquier garantía implícita aplicable está limitada al periodo especificado para la garantía expresa antes mencionada. Algunas jurisdicciones no permiten limitaciones en la duración de una garantía implícita, así que la limitación anterior tal vez no aplique en su caso. Cualquier descripción verbal o escrita del Producto es para el único propósito de identificarlo y no deberá considerarse como una garantía expresa.

Siempre que sea posible, toda disposición de esta garantía limitada deberá ser interpretada de tal forma que sea efectiva y válida de conformidad con la ley aplicable, pero si alguna disposición fuera considerada prohibida o inválida, quedará sin efecto solo en virtud de dicha prohibición o invalidez, sin invalidar el resto de dicha disposición o las demás disposiciones restantes de la garantía limitada.

Recurso: Durante el periodo de garantía limitada aplicable, la Compañía, a su opción, suministrará piezas de repuesto, o reparará o reemplazará, sin cargo alguno, cualquier Producto o pieza del mismo, hasta el grado en que la Compañía lo encuentre cubierto bajo esta garantía limitada y en incumplimiento de la misma en condiciones normales de uso y servicio. La Compañía le enviará el Producto reparado o reemplazado o las piezas de repuesto sin cargo. Usted es responsable de todos los costos de retiro, reinstalación y envío, seguro u otros cargos de flete incurridos en el envío del Producto o pieza a la Compañía. Si debe enviar el Producto o la pieza a la Compañía, tal como lo indique la Compañía, debe empaquetar adecuadamente el Producto o la pieza: la Compañía no se hace responsable por los daños en tránsito. La Compañía se reserva el derecho de utilizar Productos o piezas reacondicionados, renovados, reparados o refabricados en el proceso de reemplazo o reparación de garantía. Dichos Productos y piezas serán comparables en función y desempeño a un Producto o una pieza original y tendrán garantía durante el resto del periodo de la garantía original (o por un periodo mayor según sea requerido por la legislación aplicable).

La Compañía se reserva el derecho, a su sola discreción, a devolver el dinero que pagó por el Producto en lugar de la reparación o sustitución. Si el producto o componente ya no está disponible o esta discontinuado, el reemplazo podrá ser efectuado por un producto similar de igual o mayor valor, a criterio exclusivo de la Compañía. Este es su único y exclusivo recurso por incumplimiento de esta garantía limitada.

Exclusión de daños: LA OBLIGACIÓN DE LA COMPAÑÍA DE SUMINISTRAR PIEZAS DE REPUESTO, O DE REPARAR O REEMPLAZAR, A OPCIÓN DE LA COMPAÑÍA, SERÁ SU ÚNICO Y EXCLUSIVO RECURSO BAJO ESTA GARANTÍA LIMITADA, Y LA ÚNICA Y EXCLUSIVA OBLIGACIÓN DE LA COMPAÑÍA. LA COMPAÑÍA NO SERÁ RESPONSABLE POR DAÑOS INCIDENTALES, INDIRECTOS, RESULTANTES O ESPECIALES QUE SURJAN POR EL USO O DESEMPEÑO DEL PRODUCTO, O EN RELACIÓN CON EL MISMO. Los daños incidentales incluyen pero no se limitan a daños tales como pérdida de uso. Los daños consecuentes incluyen pero no se limitan a los gastos de reparación o sustitución de otra propiedad que fue dañada si el Producto no funcionase apropiadamente.

LA COMPAÑÍA NE SERÁ RESPONSABLE ANTE USTED, NI NINGÚN DERECHAHABIENTE, DE CUALQUIER OTRA OBLIGACIÓN O RESPONSABILIDAD INCLUYENDO, PERO NO LIMITADO A, OBLIGACIONES O RESPONSABILIDADES DERIVADAS DEL INCUMPLIMIENTO DE CONTRATO O GARANTÍA, NEGLIGENCIA U OTRO AGRAVIO O CUALQUIER TEORÍA DE RESPONSABILIDAD OBJETIVA, CON RESPECTO AL PRODUCTO O ACTOS U OMISIONES DE LA COMPAÑÍA DE CUALQUIER OTRA FORMA.

Algunas jurisdicciones no permiten la exclusión o limitación de daños incidentales o resultantes, por lo que la limitación antes mencionada podría no aplicarse a usted. Esta garantía le otorga derechos legales específicos, y usted podría tener otros derechos que varían de jurisdicción a jurisdicción. Las aclaraciones, exclusiones y limitaciones de responsabilidad bajo esta garantía no aplicarán en la medida que lo prohíban las leyes aplicables.

Esta garantía cubre únicamente el reemplazo o la reparación de Productos defectuosos o piezas de los mismos en la planta principal de la Compañía, y no incluye el costo del viaje para el servicio de campo ni los viáticos.

Cualquier asistencia que proporcione o procure la Compañía para usted fuera de los términos, limitaciones o exclusiones de esta garantía limitada no constituirá una renuncia a dichos términos, limitaciones o exclusiones, ni dicha asistencia extenderá o renovará la garantía.

La Compañía no le reembolsará ningún gasto en el que usted haya incurrido al reparar o reemplazar cualquier Producto defectuoso, excepto los incurridos con el permiso previo por escrito de la Compañía.

Cómo obtener el servicio cubierto por la garantía: Para tener derecho al servicio cubierto por la garantía, usted debe (a) notificar a la Compañía a la dirección o número de teléfono que aparecen abajo en un plazo de siete (7) días después de descubrir el defecto cubierto, (b) proporcionar el número de modelo y la identificación de la pieza y (c) describir la naturaleza de cualquier defecto en el Producto o la pieza. En el momento de solicitar el servicio cubierto por la garantía, debe presentar un comprobante de la fecha de compra original. Si usted no puede presentar una copia de la garantía limitada original por escrito, entonces registrarán los términos de la garantía limitada por escrito más actualizada de la compañía para su producto en particular. Las garantías limitadas por escrito más actualizadas para los productos de la Compañía se pueden encontrar en www.broan-nutone.com y www.broan-nutone.ca

Broan-NuTone LLC 926 West State Street, Hartford, Wisconsin, USA 53027 Broan-NuTone.com 800-558-1711
Venmar Ventilation ULC, 550 Lemire Blvd., Drummondville, Québec, Canada J2C 7W9 Broan-NuTone.ca 800-567-3855