

# FAN/LIGHT CONTROL WITH OFF-DELAY INSTALLATION & OPERATING INSTRUCTIONS

## SAFETY NOTES

1. This control has a load rating of 4 amps for the fan circuit (red wire) and 4 amps for the light circuit (blue wire).
2. All electrical work must be done in accordance with local and/or national electrical codes as applicable. If you are unfamiliar with methods of installing electrical wiring, secure the services of a qualified electrician.
3. Turn OFF power and lock out service panel before installing or wiring this control.

## INSTALLATION

**WARNING: TO AVOID FIRE, SHOCK, OR DEATH; TURN OFF POWER AT CIRCUIT BREAKER OR FUSE AND TEST THAT POWER IS OFF BEFORE WIRING!**

1. Install an appropriately-sized switch box.

**NOTE:** This control requires a 120 volt source (hot and neutral) in the switch box to operate the electronic timer.

2. Attach incoming power line and electrical line from the fan/light unit to switch box. Use proper connectors.
3. Make electrical connections as shown on BACK SIDE of these instructions. Use proper connectors. Make sure unit and switch box are properly grounded.
4. Tuck wires in and fasten control to switch box using attached screws.

**NOTE:** The control's off-delay is adjustable from 5 to 60 minutes but has been pre-set to approximately 30 minutes. This is the recommended setting for a properly-sized van/ventilator to fully exhaust and restore the outdoor air quality. See "OFF-DELAY TIME ADJUSTMENT" to change setting for a specific application.

5. Secure switch plate to control with the two (2) 1/4" long screws from the parts bag.

## OPERATION

### SWITCH POSITION

- On (Up)**
- Off (Center)**
- Delayed Off (Down)**

### CONTROL OPERATION

- Light and fan circuits are on.
- Light and fan circuits are off.
- Light circuit is off. Fan circuit is on until off-delay time has lapsed, then fan circuit turns off.

## OFF-DELAY TIME ADJUSTMENT

1. Remove switch cover plate.
2. Locate time adjustment stem (recessed in upper, left corner of the control). The time setting is indicated by the screwdriver slot in the WHITE area of the adjustment stem.
3. Insert blade screwdriver in stem slot.
4. Rotate stem clockwise (CW) to increase off-delay time setting or counterclockwise (CCW) to decrease it.
5. Replace switch cover plate.

### BROAN-NUTONE ONE YEAR LIMITED WARRANTY

Broan-NuTone warrants to the original consumer purchaser of its products that such products will be free from defects in materials or workmanship for a period of one year from the date of original purchase. THERE ARE NO OTHER WARRANTIES, EXPRESS OR IMPLIED, INCLUDING, BUT NOT LIMITED TO, IMPLIED WARRANTIES OF MERCHANTABILITY OR FITNESS FOR A PARTICULAR PURPOSE.

During this one-year period, Broan-NuTone will, at its option, repair or replace, without charge, any product or part which is found to be defective under normal use and service.

THIS WARRANTY DOES NOT EXTEND TO FLUORESCENT LAMP STARTERS, TUBES, HALOGEN AND INCANDESCENT BULBS, FUSES, FILTERS, DUCTS, ROOF CAPS, WALL CAPS AND OTHER ACCESSORIES FOR DUCTING. This warranty does not cover (a) normal maintenance and service or (b) any products or parts which have been subject to misuse, negligence, accident, improper maintenance or repair (other than by Broan-NuTone), faulty installation or installation contrary to recommended installation instructions.

The duration of any implied warranty is limited to the one-year period as specified for the express warranty. Some states do not allow limitation on how long an implied warranty lasts, so the above limitation may not apply to you.

BROAN-NUTONE'S OBLIGATION TO REPAIR OR REPLACE, AT BROAN-NUTONE'S OPTION, SHALL BE THE PURCHASER'S SOLE AND EXCLUSIVE REMEDY UNDER THIS WARRANTY. BROAN-NUTONE SHALL NOT BE LIABLE FOR INCIDENTAL, CONSEQUENTIAL OR SPECIAL DAMAGES ARISING OUT OF OR IN CONNECTION WITH PRODUCT USE OR PERFORMANCE. Some states do not allow the exclusion or limitation of incidental or consequential damages, so the above limitation or exclusion may not apply to you.

This warranty gives you specific legal rights, and you may also have other rights, which vary from state to state. This warranty supersedes all prior warranties.

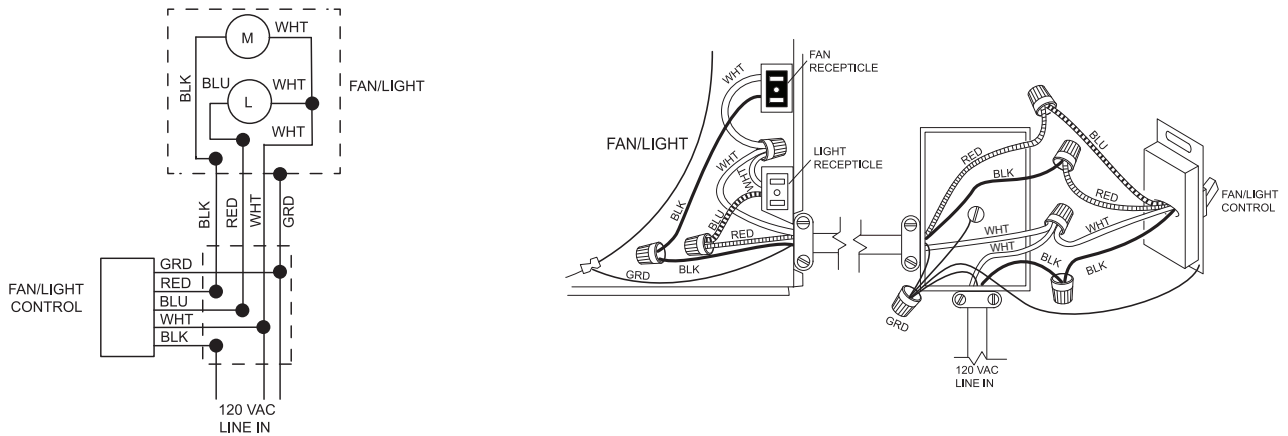
To qualify for warranty service, you must (a) notify Broan-NuTone at the address or telephone number below, (b) give the model number and part identification and (c) describe the nature of any defect in the product or part. At the time of requesting warranty service, you must present evidence of the original purchase date.

Broan-NuTone LLC, 926 W. State Street, Hartford, Wisconsin 53027    www.broan.com    800-558-1711

## WIRING DIAGRAMS ON BACK

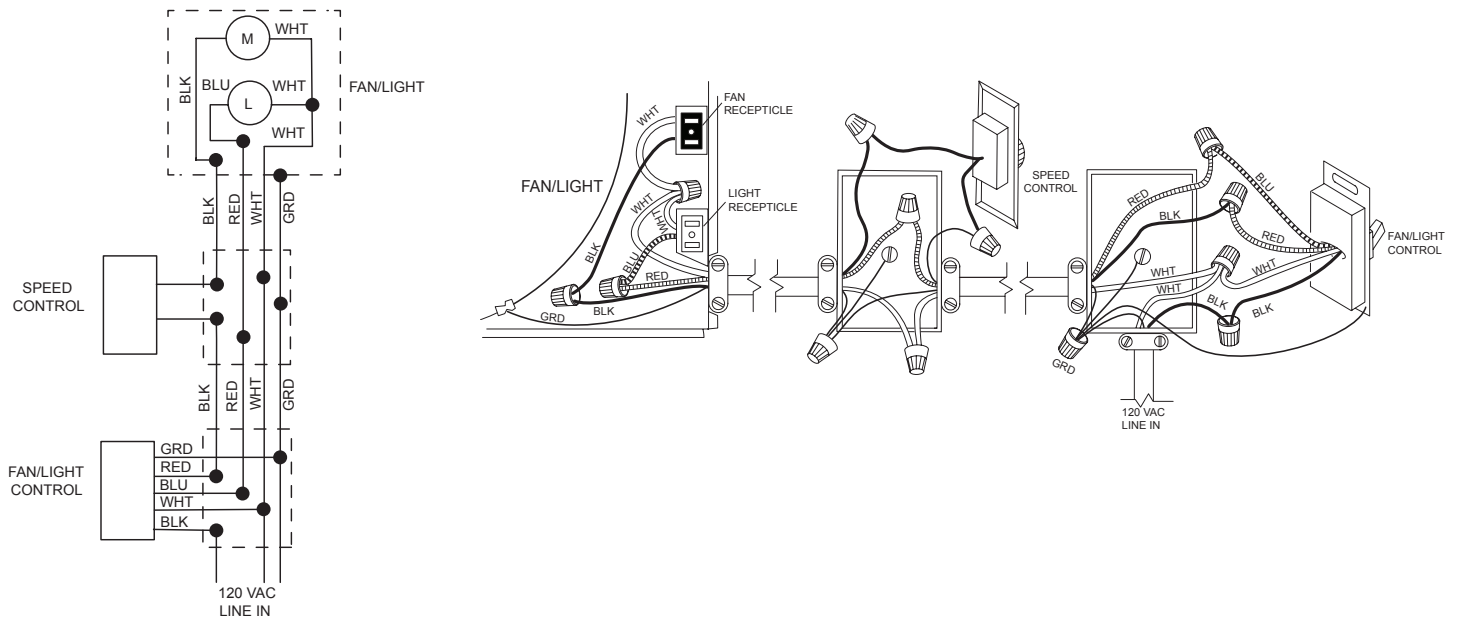
# WIRING DIAGRAMS

## CONTROLLING A FAN/LIGHT



## USED WITH SPEED CONTROL

**NOTE:** If this Fan/Light Control with Off-Delay is used with a speed control, the speed control must be connected between the Fan/Light Control and the Fan/Light unit.



## CONTROLLING A FAN

