



Liner not included, optional liners available



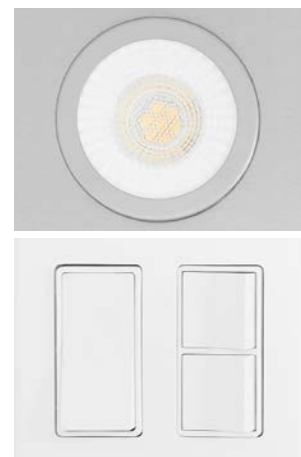
PMA400SS



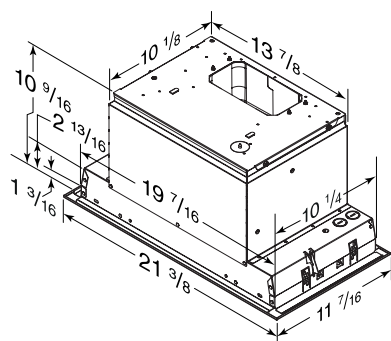
STAINLESS
21-2/5"
PMA400SS

Featuring a smooth, stainless steel surface, get the custom appearance you seek in an easy-to-clean design. Remote wall control is ADA compliant, and bright LEDs enhance your cooking experience.

- Powerful 450 MAX Blower CFM, 1.0 sone at normal speed
- Wall-mounted Speed/Light control provides accessible operation for any user
- Bright 1-level, heat resistant LED modules
- Two-speed control allows convenient Hi/Low operation
- EZ1 clips enable single-person installation
- Dishwasher-safe aluminum mesh filters with quick-release latch
- Optional non-duct recirculation kit and filters available
- ADA compliant, ENERGY STAR® certified
- Works with optional stainless LB30SS and LB36SS liners
- Works with optional universal make-up air dampers



Wall mounted control



SPECIFICATIONS

Width	MAX Blower CFM*	Blower	Sones†	Volts	Amps	Duct
21-3/8"	450	Internal	1.0	120	2.3	3-1/4" x 10" (V, H) or 6" RD

* MAX Blower CFM indicates hood blower performance in open air. Find HVI rated performance for this model in the product specification sheet at Broan-NuTone.com

† Sones at normal (or working) speed.

OPTIONAL ACCESSORIES

Non-Duct Kit	Non-Duct Charcoal Filter	Replacement Aluminum Filter	LED	Make-Up Air Dampers	Fresh Air Inlets	Liners
HARKPM21	S99010464	S99010400	Included	MD6TU MD8TU MD10TU	641FA 643FA 610FA	LB30SS LB36SS



BROAN-NUTONE.COM | 800-558-1711 | 926 WEST STATE STREET, HARTFORD, WISCONSIN 53027