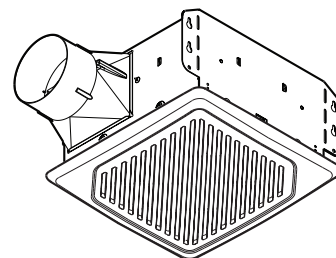


MODELS AEN80H & AERN110S INVENT™ SERIES HUMIDITY SENSING FANS



Modern-styled, high performance fans, with sensing circuitry, that "knows" when to ventilate the room.

FEATURES

BLOWERS:

- Plug-in, permanently lubricated motor - engineered for continuous operation
- Dynamically balanced centrifugal blower wheel for quiet, efficient performance
- Low RPM for quiet operation

HOUSING:

- Rugged, 26 gauge, galvanized steel construction
- Polymeric, 4" duct connector with tapered sleeve and no metallic clatter
- 5-3/4" height allows for 2" x 6" ceiling installations
- Sturdy, easy, four-point mounting directly to joist

GRILLE:

- Polymeric construction
- Innovative design - the result of extensive research with designers and consumers

CONTROLS (Purchase separately):

- Refer to NuTone's catalog for a complete line of accessories to effectively adapt these fans to your construction requirements.

ULC Listed for use over bathtubs and showers when connected to a GFCI protected branch circuit (ceiling mount only).

3-Year Warranty

AUTOMATIC CONTROL:

- Humidity control automatically turns fan ON when either of these conditions is detected:
 - a rapid to moderate (user adjustable) increase of humidity
 - humidity above user-adjustable set-point (50%-80% RH)
- Two wire manual operation for odor control - Turns fan ON when power line through wall switch is cycled ON, OFF and back ON
- Remains ON for a user-adjustable 5 to 60 minutes after humidity has stabilized and is below set-point or after manually initiated through power line cycling
- Saves energy because unit runs only for the time required. A unit controlled with a wall timer may keep fan ON longer than required or turn it OFF before room is sufficiently ventilated



Broan Canada Mississauga, Ontario Canada L5T 1H9 www.nutone.ca 1-888-882-7626

REFERENCE	QTY.	REMARKS	Project
			Location
			Architect
			Engineer
			Contractor
			Submitted by Date

PERFORMANCE RATINGS

INVENT™ SERIES

HUMIDITY SENSING FANS

HVI PERFORMANCE

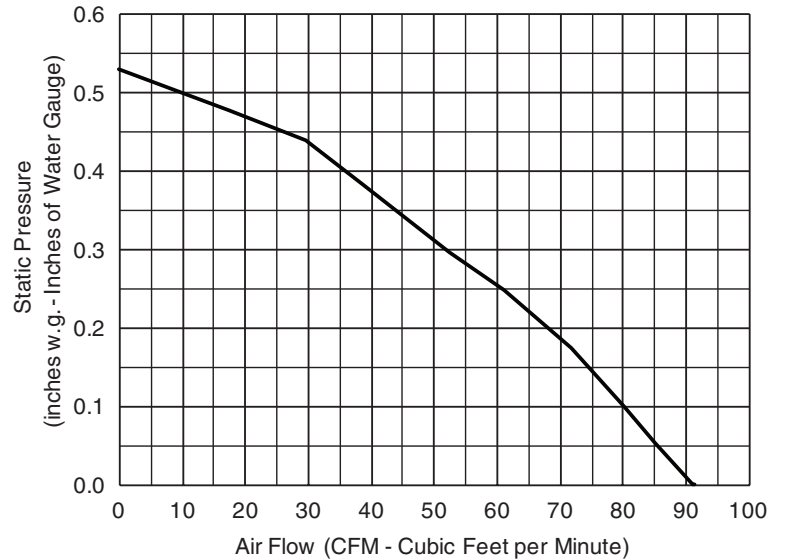
Model	0.1 Ps - Static Pressure (in H ₂ O)				0.25 Ps
	Airflow (CFM)	Sound (Sones)	Power (Watts)	Efficacy (CFM / W)	Airflow (CFM)
AEN80H	80	0.8	24.5	3.3	61
AERN110S	110	1.0	23.4	4.7	92



HVI-2100 CERTIFIED RATINGS comply with new testing technologies and procedures prescribed by the Home Ventilating Institute, for off-the-shelf products, as they are available to consumers. Product performance is rated at 0.1 in. static pressure, based on tests conducted in a state-of-the-art test laboratory. Sones are a measure of humanly-perceived loudness, based on laboratory measurements.

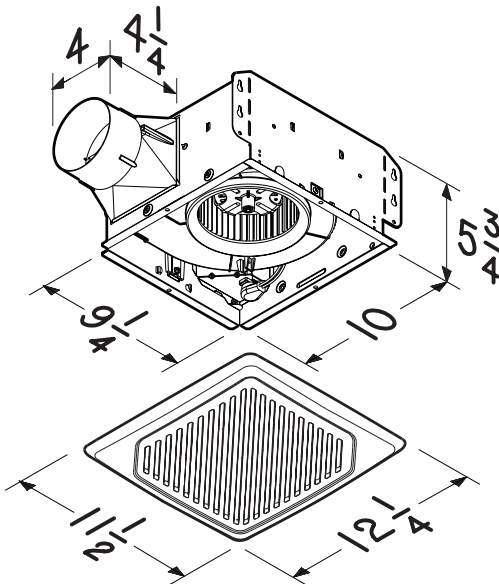
AIR FLOW PERFORMANCE

Model AEN80H



ELECTRICAL & WEIGHT

Model	Volts	Hz	Amps	Shipping Weight
AEN80H	120	60	0.3	9.0 lb.
AERN110S	120	60	0.3	9.0 lb.



NOTE: Dimensions shown are in inches.

Model AERN110S

