

BROAN®

HRV160 ECM

Part no. HRV160TE

85 to 157 CFM* 40 to 125 CFM*

65 to 157 CFM* 40 to 80 CFM*

55 to 125 CFM* (Factory Set)

* Maximum speed at 0.4 in. w.g.



VB0270

DISCOVER THE NEW GENERATION OF BROAN AIR EXCHANGERS: ULTRA-EFFICIENT AND ENVIRONMENTALLY-FRIENDLY

The HRV160 ECM has been designed to be one of the most eco-friendly HRV air exchangers on the market. Its innovative design incorporates extremely high performance ECM* motors, which enable the HRV160 ECM to significantly lower energy costs without affecting its performance. Additional energy efficiency is achieved through its advanced heat recovery core, which can retain up to 80% of the home's heating. The HRV160 ECM surpasses energy-saving standards while providing effective heat recovery, ventilation and quiet operation. All aspects have been designed to facilitate balancing of air flow and simplify uses and installation.

- High performance ECM* motors
- Faster and easier installation of insulated flexible ducts with practical straps
- Integrated balancing dampers
- Integrated electronic board on motors
- Homeshield™ defrosting system
- Heat recovery core with superior capacity
- Optimized drainage system
- ENERGY STAR® qualified¹

REPAIRS AND MAINTENANCE

The HRV160 ECM high output ECM* motors are permanently lubricated. The electronic circuit board eliminates electromechanical parts, reducing repair time to a minimum.

WARRANTY

The HRV160 ECM unit is protected by a complete 5-year warranty on all parts, including the energy recovery core, with the original proof of purchase.

*Electronically Commutated Motor.

Available at:

¹This product earned the ENERGY STAR® by meeting strict energy efficiency guidelines set by Natural Resources Canada and the EPA. It meets ENERGY STAR® requirements only when used in Canada.

HEAT RECOVERY VENTILATOR

Controls

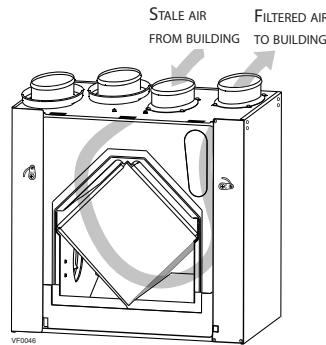
- This unit is very simple to operate. Once the unit is installed, press on its push button, located under the unit, to activate it. Press once for low speed, once again for high speed, and once more to stop it.
- For more convenience, this unit can also be controlled by an optional main control. For a complete list of optional main and auxiliary controls available, refer to the **Wall Control Compatibility Chart** on last pages of wall controls specification sheet, available at www.broan.com
- For more details about controls, refer to the **Main and auxiliary wall controls** user guide, also available at www.broan.com.

Option

- Complete line of registers and diffusers

Homeshield™ Defrosting System

The HRV160 ECM uses a unique defrosting method. No negative pressure is created by air exhausted to outdoors, as the air is recirculated into the house, helping to prevent any backdraft.



OUTDOOR TEMPERATURE °F	DEFROST CYCLE MIN./ OPERATING MIN.
WARMER THAN 23	NO DEFROST
23 TO 5	7/40
5 TO -17	7/25
-17 AND LESS	10/22

Heat Recovery Core

Dimensions: 10" x 10" x 14.25"

Exchange surface: 110 ft.²

Weight: 7.36 lb.

Material: Polypropylene

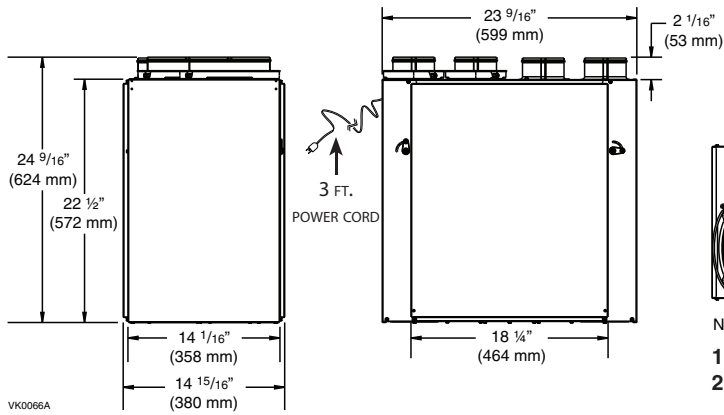
Type: Cross Flow

Warranty: Limited lifetime

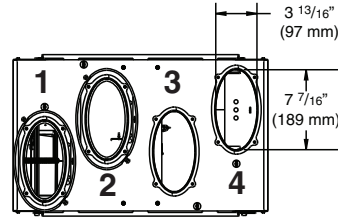
Requirements and standards

- Complies with the UL 1812 requirements regulating the installation of Heat Recovery Ventilators
- Complies with the CSA C22.2 no. 113 Standard applicable to ventilators
- Complies with CSA F326 requirements regulating the installation of Heat Recovery Ventilators
- Technical data was obtained from published results of tests relating to CSA C439 Standards
- Can be used to comply with California Title 24 2019 Part 6
- HVI certified and ENERGY STAR® qualified¹

DIMENSIONS: HRV160 ECM



VK0066A



NOTE: Every port fits 6" round duct.

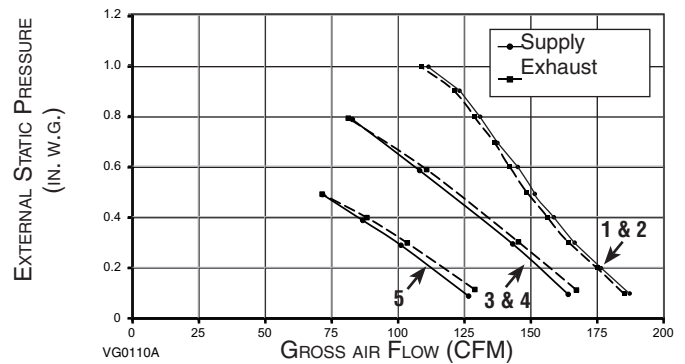
- 1: EXHAUST AIR TO OUTDOOR PORT 3: EXHAUST AIR FROM BUILDING PORT
 2: FRESH AIR FROM OUTDOOR PORT 4: FRESH AIR TO BUILDING PORT

NOTE: ALL UNITS PORTS WERE CREATED TO BE CONNECTED TO DUCTS HAVING A MINIMUM OF 6" DIAMETER, BUT IF NEED BE, THEY CAN BE CONNECTED TO BIGGER SIZED DUCTS BY USING AN APPROPRIATE TRANSITION (E.G.: 6" DIAMETER TO 7" DIAMETER TRANSITION).

VENTILATION PERFORMANCE

EXTERNAL STATIC PRESSURE		NET SUPPLY AIR FLOW		GROSS AIR FLOW			
PA	IN. W.G.	L/S	CFM	SUPPLY		EXHAUST	
				L/S	CFM	L/S	CFM
25	0.1	88	186	88	186	87	184
50	0.2	83	176	83	176	83	176
75	0.3	78	165	78	165	77	163
100	0.4	74	157	74	157	74	157
125	0.5	71	150	71	150	70	148
150	0.6	68	144	68	144	67	142
175	0.7	64	136	65	138	64	136
200	0.8	61	129	62	131	61	129
225	0.9	58	123	58	123	57	121
250	1.0	54	114	55	117	54	114

FAN CURVES ACCORDING TO SPEED



- SPEED RANGE 1: 85 to 157CFM*
 SPEED RANGE 2: 65 to 157CFM*
 SPEED RANGE 3: 55 to 125CFM* (FACTORY SET)
 SPEED RANGE 4: 40 to 125CFM*
 SPEED RANGE 5: 40 to 80CFM*

*MAXIMUM SPEED AT 0.4 IN. W.G.

ENERGY PERFORMANCE

SUPPLY TEMPERATURE	NET AIR FLOW			POWER CONSUMED WATTS	SENSIBLE RECOVERY EFFICIENCY	ADJUSTED SENSIBLE RECOVERY EFFICIENCY	APPARENT SENSIBLE EFFECTIVENESS (DATA NOT CERTIFIED BY HVI)	LATENT RECOVERY/MOISTURE TRANSFER
	L/S	CFM	M ³ /H					
HEATING								
32	23	49	83	22	76	80	83	0
32	30	64	109	25	75	78	81	0
32	39	82	139	32	73	76	78	0
-13	30	64	109	40	64	67	82	0

NOTE: All specifications are subject to change without notice.

SPECIFICATIONS

- Model: HRV160 ECM
- Part Number: HRV160TE
- Total Assembled Weight (including polypropylene core): 52.4 lb.
- Oval shaped ports; fit 6" round ducts
- Drains: 1/2" fittings with 10 ft PVC drain
- Core Filters: 2 washable Merv 9 filters, 9.2" x 14.25" x 0.38"

- Insulation: Expanded polystyrene
- Mounting: Suspension by chains and springs
- Supply and Exhaust Blower Motors: 2 ECM motors
 - Protection type: Thermally protected
 - Insulation class: B
- Speed Control on Unit:
 - Low speed and high speed
 - Other modes available with VT8W or VT7W main control

- Heat Recovery Core:
 - Heat Exchange Surface Area: 110 ft.²
 - Type: Crossflow
 - Material: Polypropylene
- Housing: Pre-painted steel
- Unit Electrical Characteristics:

Volts	Frequency	Ampere	Watts
120	60 Hz	1.3	98

Project:	REMARKS
Location:	
Part no.: HRV160TE	
Qty.:	
Submitted by:	Date:

BROAN



Broan-NuTone LLC, 926 West State Street, Hartford, WI 53027 (1-877-862-7626)

www.broan.com

HRV160ECMd20_01